

18

17

16

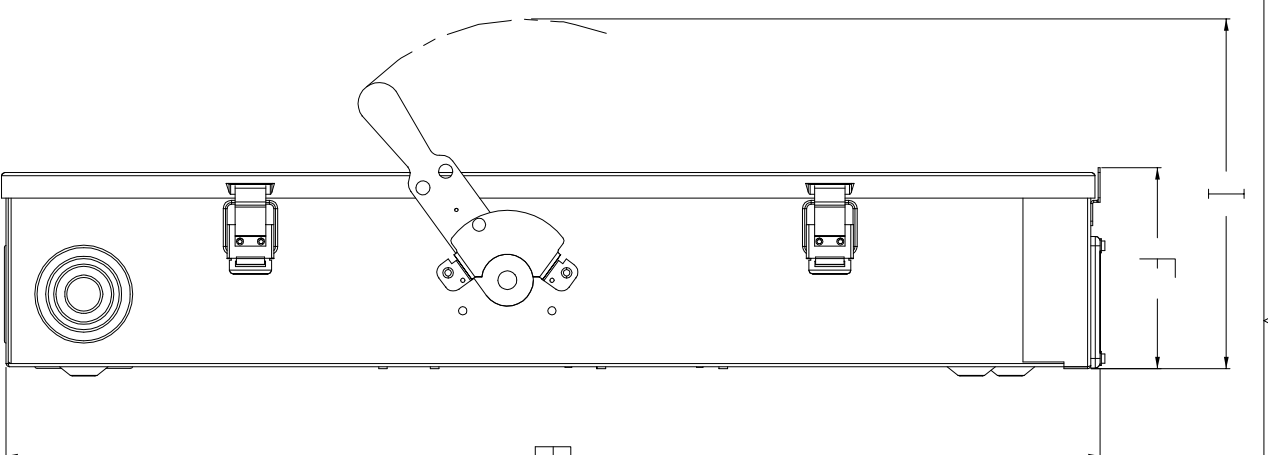
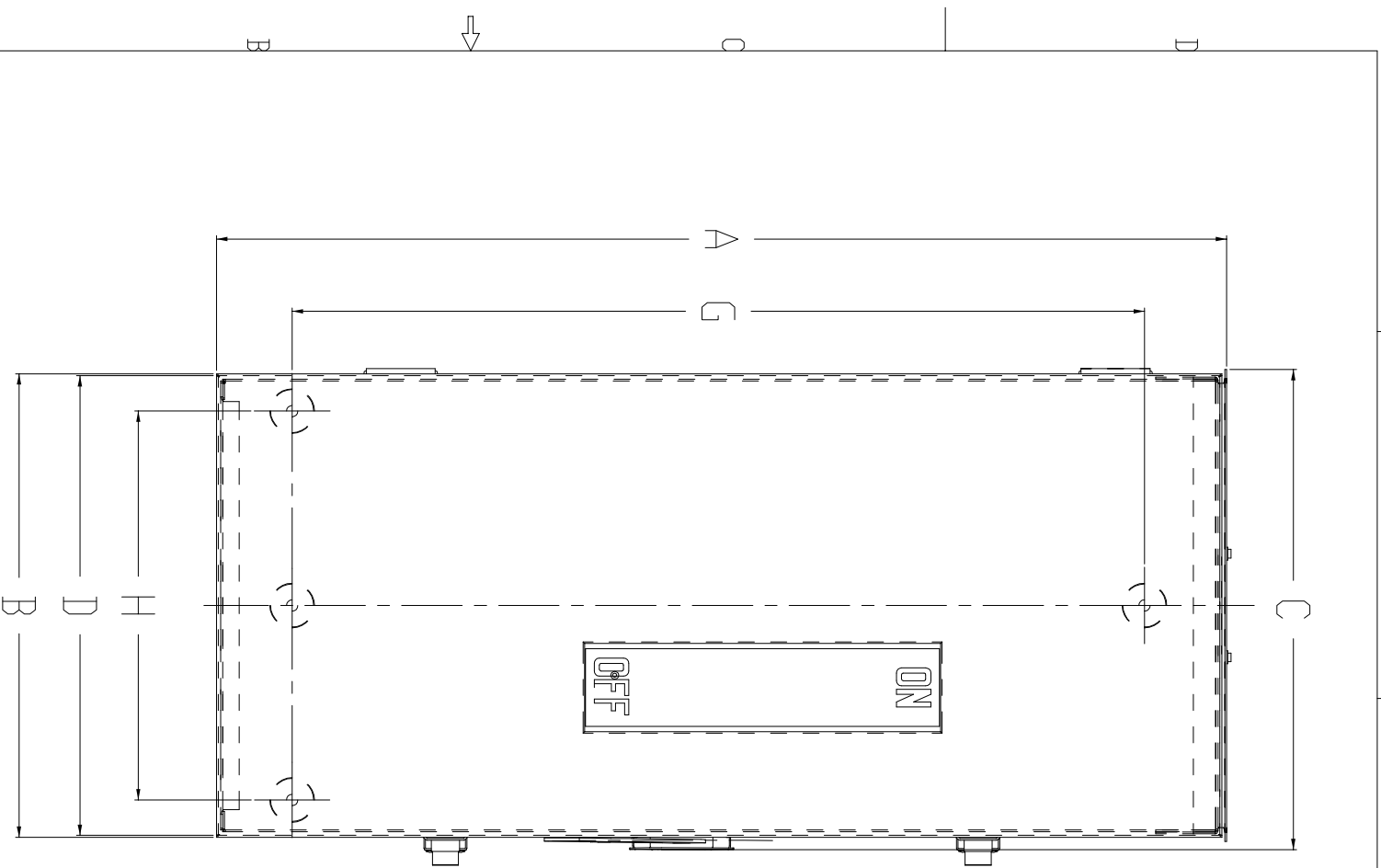
15

14

13

12

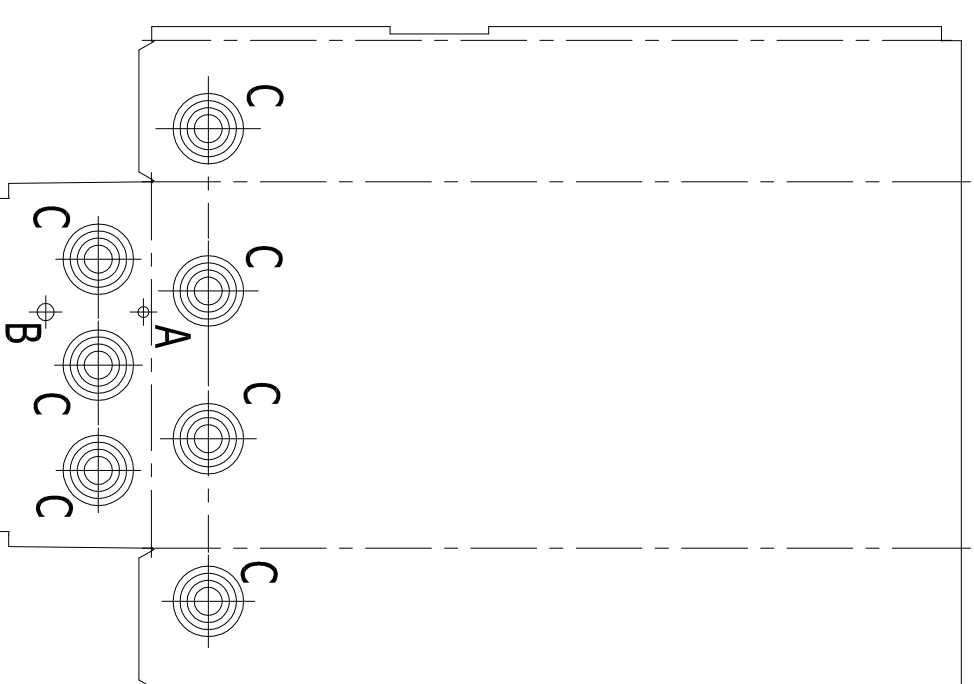
11



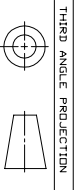
- NOTES:**
2. ALL DIMENSIONS ARE IN INCHES.
 1. ALL DIMENSIONS HAVE ± 0.125 TOLERANCE.

DIMENSION TABLE

GCAT NO.	A	B	C	D	E	F	G	H	I
MGF224NR									
MGF324NR	29.25	13.42	13.68	13.31	29.13	5.35	24.68	11.26	9.90
MGU324R									



SYM.		SIZE	QTY.
A	KO 9/32		1
B	KO 1/2		1
C	KO 1 X 1 1/2 X 2 X 2 1/2		7



18

17

16

15

14

13

12

11

GE PROPRIETARY AND CONFIDENTIAL INFORMATION

This document is the property of General Electric Company, GE2 and contains proprietary information. It is to be used only for the purposes specified in the contract. It is not to be distributed, copied, or reproduced in any form without the prior written consent of General Electric Company. If you have any questions regarding this document, please contact your GE representative. The format shall be revised to conform to the requirements of the GE standard drawing control and regulations.

REV.	DESCRIPTION	DATE	APPROVE
01	R1425889	12/19/14	J

Part must conform to SI 900000
Sect. 4, Toxicity Procedure

MIDWEST ELECTRIC

OUTLINE DRAWING GENERAL DUTY
NEMA TYPE 3R
200A

SCALE 3/8

10103093SH10

SHEET 1 OF 1

FOR ADDITIONAL INFO REFER TO	SIGNATURES	DATE
APPROVED	KHBL	12/19/14
DRAWN	AGG	12/19/14
CHECKED	JMH	12/19/14

UNLESS OTHERWISE SPECIFIED IN THIS DRAWING

1. DIMENSIONS ARE IN INCHES

2. PL DECIMALS ± 0.02

3. PL DECIMALS ± 0.005

ANGLES ± 10

FRACTIONS \pm

FINISH

BROWER FILE 10103093SH10

SCALE 3/8

REV