



Manufactured 4/86 to Present

169kV/40kA GCB

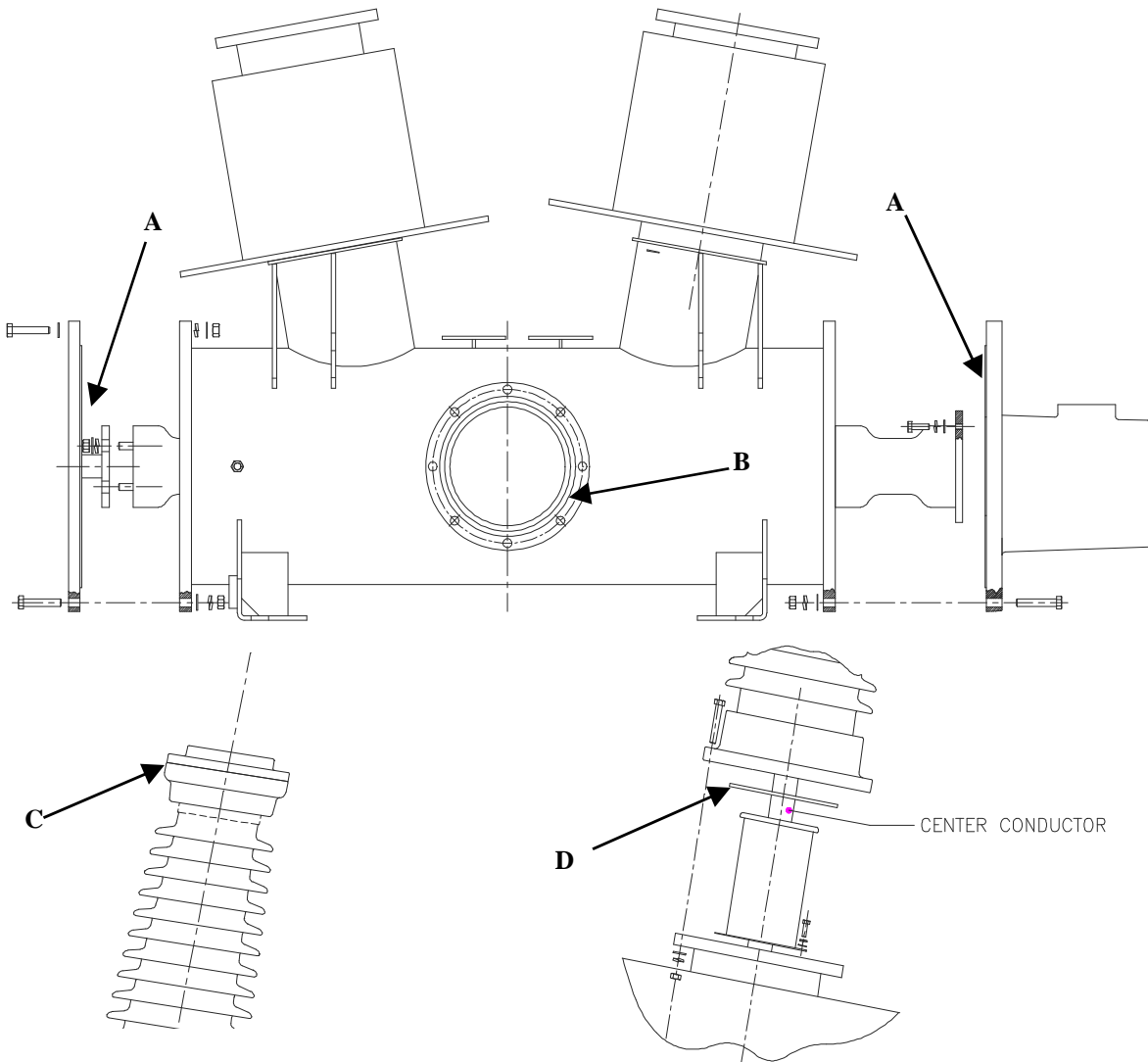
SECTION CONTENTS

169 kV

| | |
|---------------------------------|---------|
| ◆ Gas Tank Gasket Kit..... | 21 & 22 |
| ◆ Desiccant Kit..... | 23 |
| ◆ Interrupter Repair Kit..... | 24 |
| ◆ Rotating Seal Kit..... | 25 |
| ◆ Pilot/Charging Valve Kit..... | 26 |
| ◆ Dashpot Gasket Kit..... | 27 |
| ◆ Main Valve Kit..... | 28 |

169 kV

Tank Gasket Kit

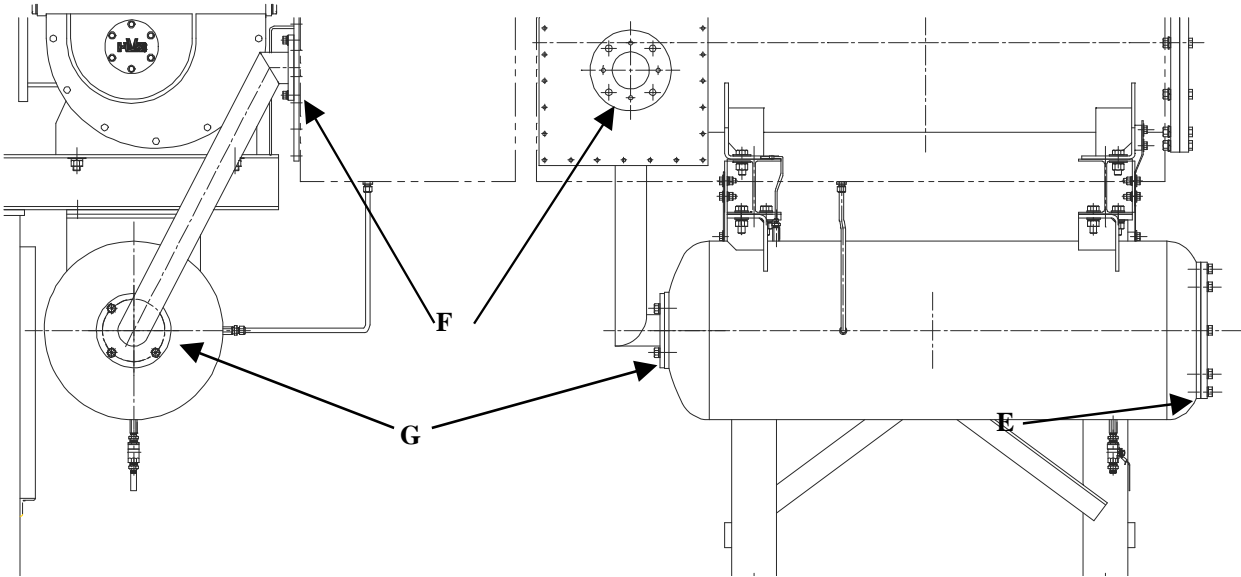


TANK GASKET KIT (1 POLE), 63-3001-01 (SHIPPED AFTER 2/90)

| ITEM | QTY | HVB PART NUMBER | DESCRIPTION |
|------|-----|-----------------|----------------------------|
| A | 2 | 01-0068-00 | O-RING - MECHANISM PORT |
| B | 1 | 01-0049-00 | O-RING - INSPECTION PORT |
| C | 2 | 01-1023-01 | GASKET - BUSHING UPPER END |
| D | 2 | 01-1007-00 | GASKET - BUSHING LOWER END |

TANK GASKET KIT 1 POLE), 63-3001-00 (SHIPPED BEFORE 2/90)

| ITEM | QTY | HVB PART NUMBER | DESCRIPTION |
|------|-----|-----------------|-----------------------------|
| A | 2 | 01-0068-00 | O-RING - MECHANISM PORT |
| B | 1 | 01-0049-00 | O-RING - INSPECTION PORT |
| C | 2 | 01-1023-01 | GASKET - BUSHING UPPER END |
| D | 2 | 01-1007-00 | GASKET - BUSHING LOWER END |
| | 2 | 01-0069-00 | O-RING - DRAIN VALVE FLANGE |
| | 1 | 01-0050-00 | O-RING - GAS VALVE FLANGE |
| | 1 | 01-0061-00 | O-RING - GAS VALVE FLANGE |



AIR TANK OPTIONS (SHIPPED AFTER 10/89)

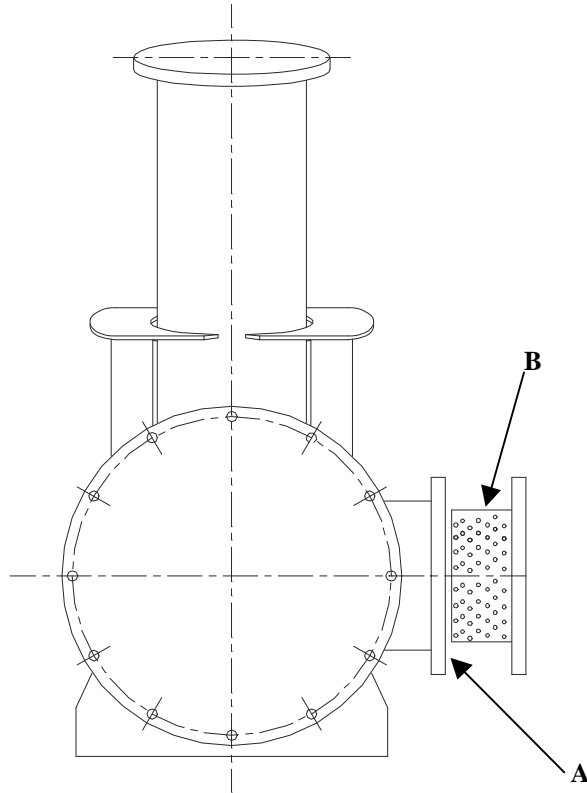
| ITEM | QTY | HVB PART NUMBER | DESCRIPTION |
|------|-----|-----------------|---------------------------|
| E | 1 | 01-0012-00 | O-RING - AIR RECEIVER END |
| F | 1 | 01-0009-00 | O-RING - AIR PIPE |
| G | 1 | 01-0011-00 | O-RING - AIR PIPE |

AIR TANK OPTIONS (SHIPPED BEFORE 10/89)

| ITEM | QTY | HVB PART NUMBER | DESCRIPTION |
|------|-----|-----------------|---------------------------|
| E | 1 | 01-0055-00 | O-RING - AIR RECEIVER END |
| F | 1 | 01-0028-00 | O-RING - AIR PIPE |
| G | 1 | 01-0030-00 | O-RING - AIR PIPE |

169 kV

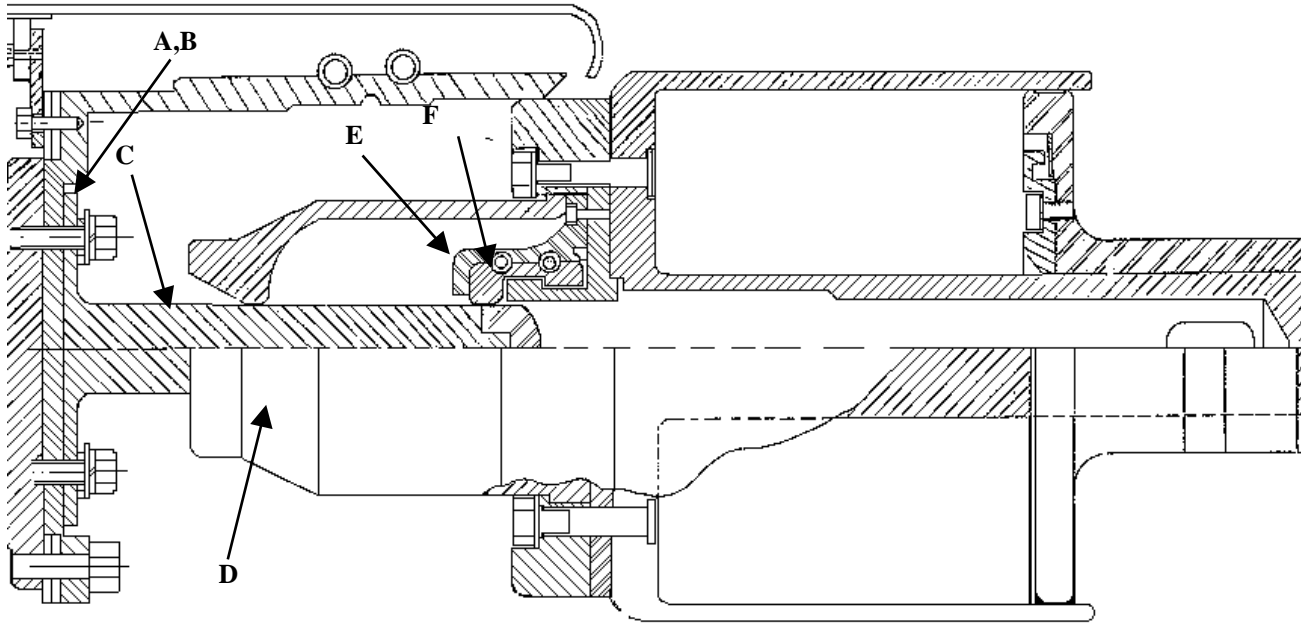
Desiccant Kit



DESICCANT KIT (3 POLES), 63-3002-00

| ITEM | QTY | HVB PART NUMBER | DESCRIPTION |
|------|-----|-----------------|--------------------------|
| A | 3 | 01-0049-00 | O-RING - INSPECTION PORT |
| B | 6 | 05-0091-00 | DESICCANT (2.5LB BAGS) |

Interrupter Repair Kit



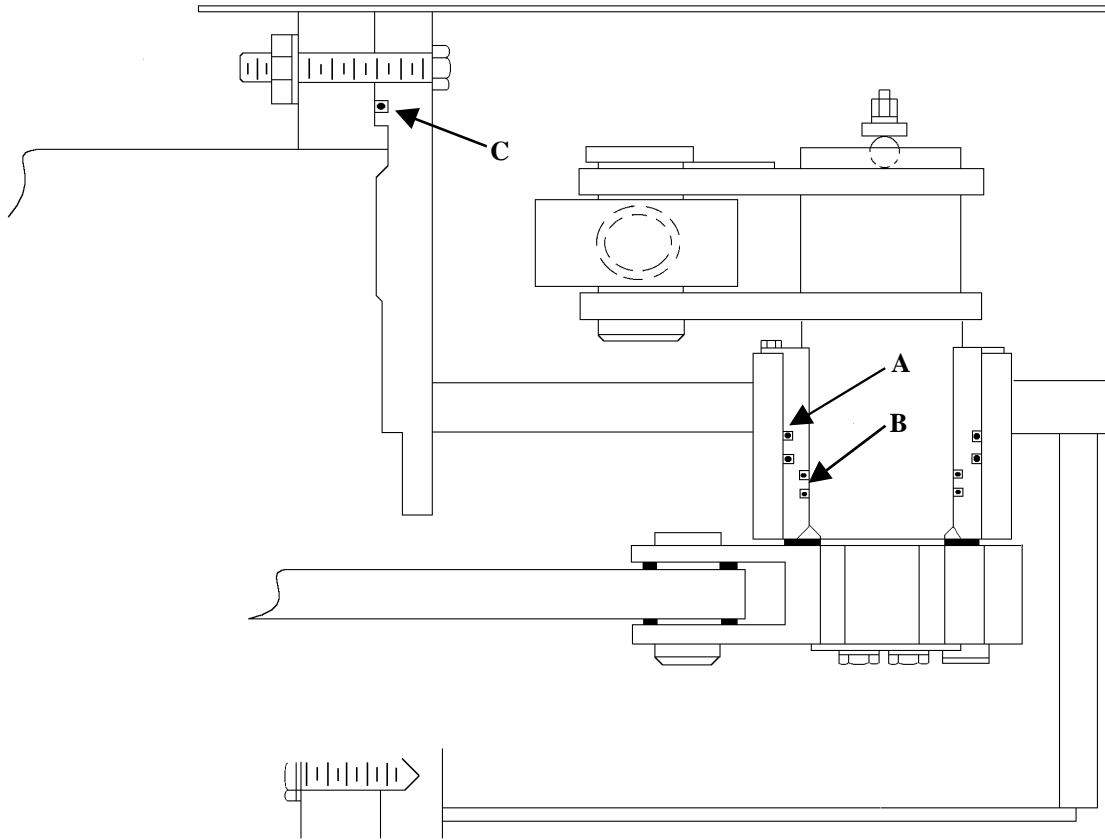
169 kV

INTERRUPTER REPAIR KIT (1 POLE), 63-3003-00

| ITEM | QTY | HVB PART NUMBER | DESCRIPTION |
|------|-----|-----------------|--------------------|
| A | 2 | 23-3003-00 | SHIM 0.0315" |
| B | 2 | 23-3004-00 | SHIM 0.079" |
| C | 1 | 23-3000-00 | STATIONARY CONTACT |
| D | 1 | 23-3002-00 | TEFLON NOZZLE |
| E | 1 | 23-1002-00 | TEFLON COVER |
| F | 1 | 23-3001-00 | MOVING CONTACT |

Rotating Seal Kit

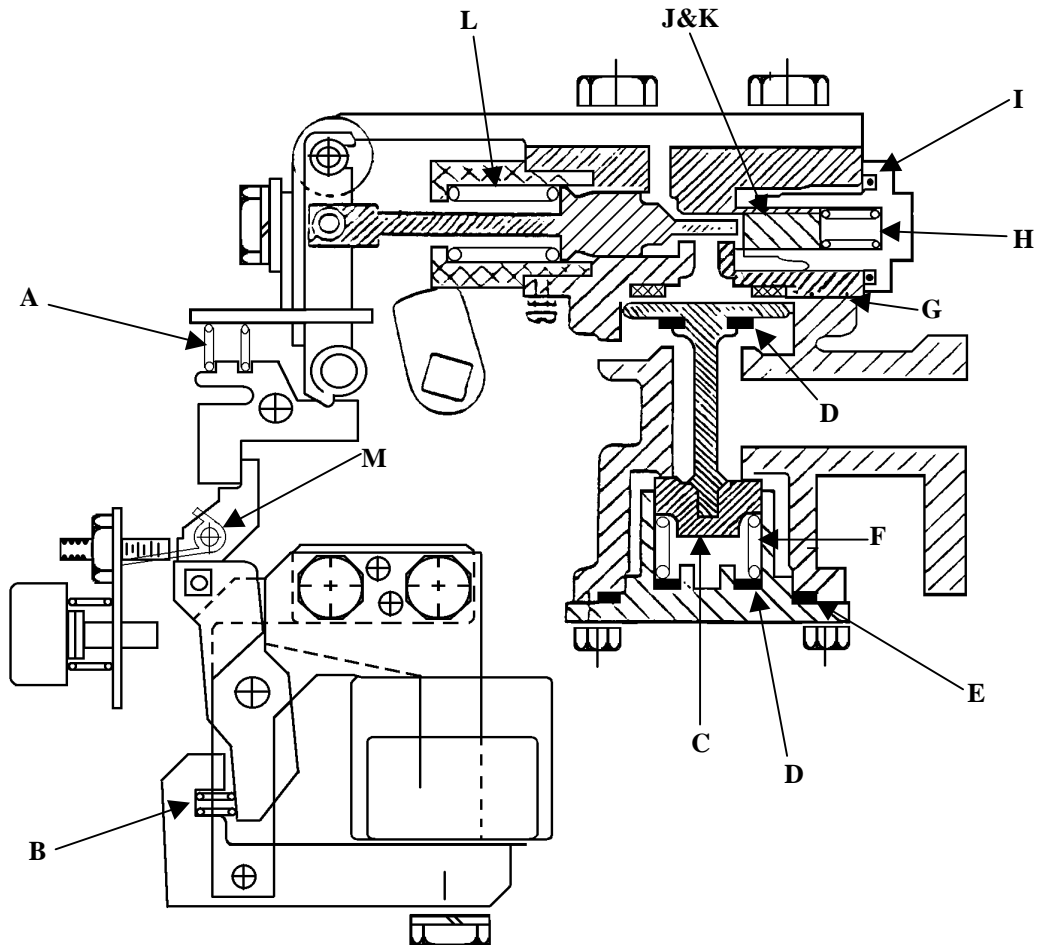
169 kV



ROTATING SEAL KIT (1 POLE), 63-3000-01

| ITEM | QTY | HVB PART NUMBER | DESCRIPTION |
|------|-----|-----------------|---|
| A | 2 | 01-0039-00 | O-RING |
| B | 2 | 01-0072-00 | O-RING |
| C | 1 | 01-0068-00 | O-RING - MECHANISM PORT |
| D | 1 | 01-1007-00 | GASKET – BUSHING LOWER END (Not Pictured) |

Pilot/Charging Valve Kit

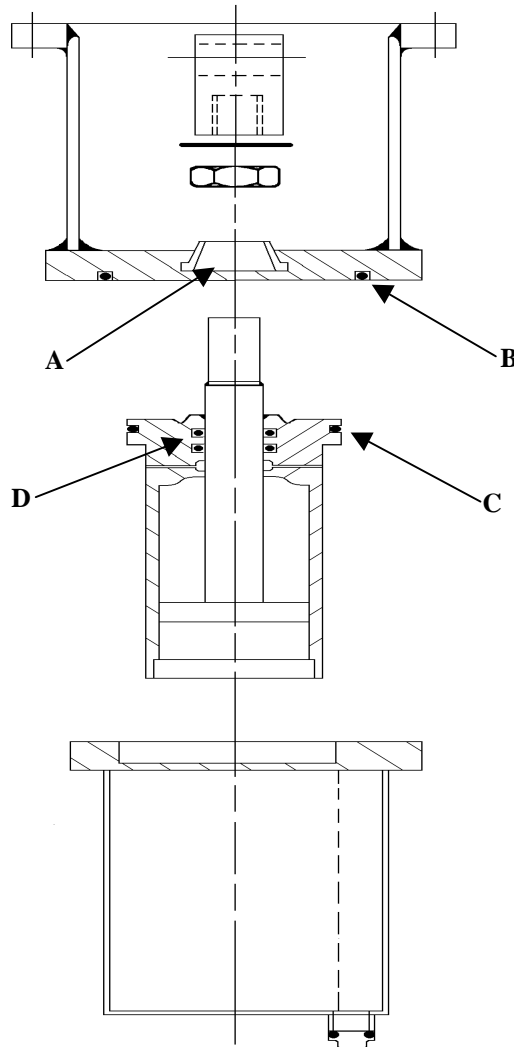


PILOT/CHARGING VALVE KIT, 63-1000-00

| ITEM | QTY | HVB PART NUMBER | DESCRIPTION |
|------|-----|-----------------|------------------------------|
| A | 1 | 25-4005-00 | SPRING |
| B | 2 | 25-4006-00 | SPRING |
| C | 1 | 25-1000-00 | TEFLON VALVE |
| D | 2 | 01-3001-00 | CUSHION |
| E | 1 | 01-1042-00 | GASKET |
| F | 1 | 25-1002-00 | SPRING |
| G | 1 | 01-0040-00 | O-RING |
| H | 1 | 25-4007-00 | SPRING |
| I | 1 | 01-0046-00 | O-RING |
| J | 1 | 25-4000-00 | TEFLON VALVE |
| K | 1 | 25-1001-01 | PIN FOR TEFLON VALVE |
| L | 1 | 25-4008-00 | SPRING |
| M | 1 | 25-4014-00 | SPRING |
| N | 1 | 01-0046-00 | O-RING- AIR PIPE (NOT SHOWN) |
| O | 1 | 01-0035-00 | O-RING- AIR PIPE (NOT SHOWN) |

Dashpot Gasket Kit

169 kV

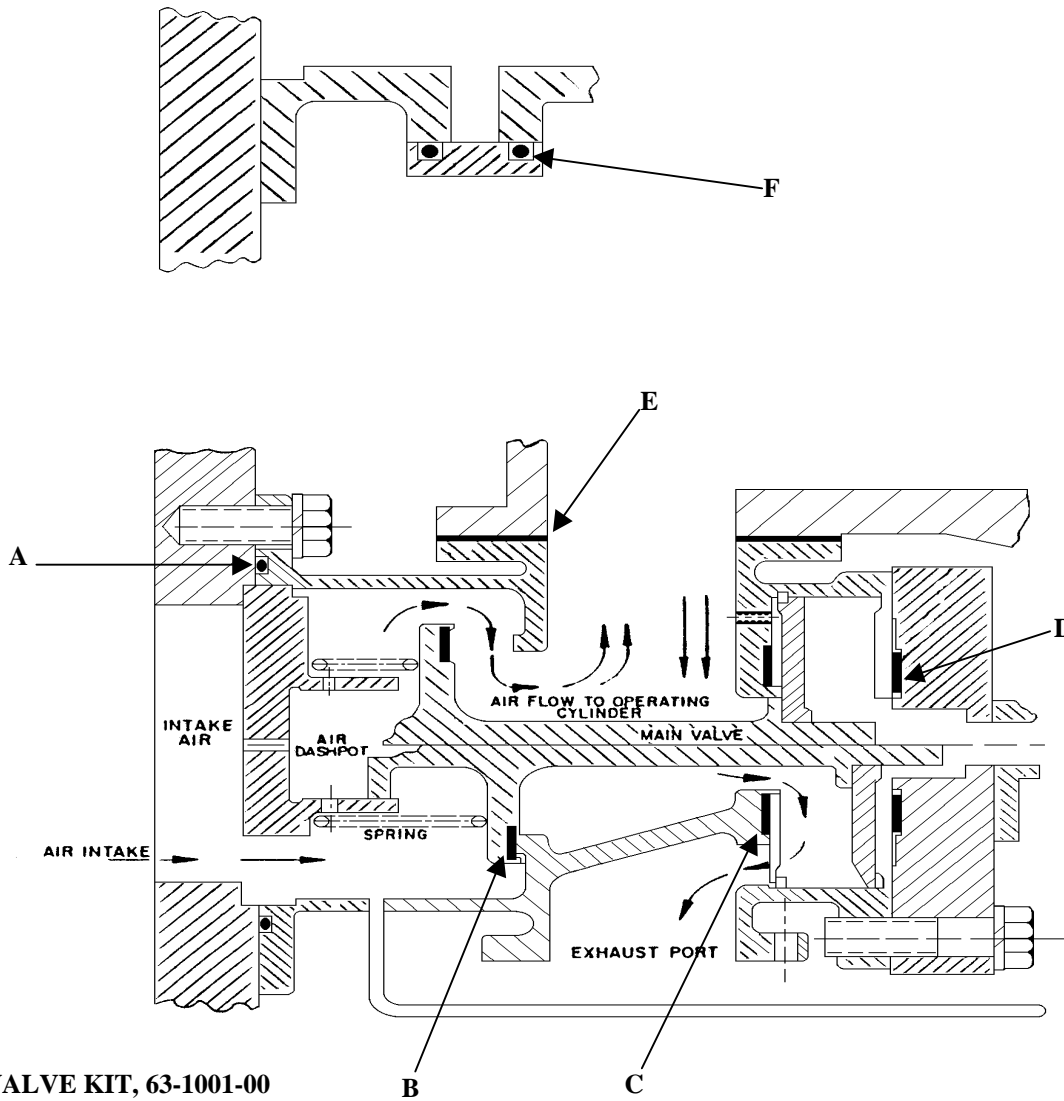


DASPOT GASKET KIT, 63-1003-00

| ITEM | QTY | HVB PART NUMBER | DESCRIPTION |
|------|-----|-----------------|-------------|
| A | 1 | 23-4005-00 | DUST SEAL |
| B | 1 | 01-0029-00 | O-RING |
| C | 1 | 01-0027-00 | O-RING |
| D | 2 | 01-0052-00 | O-RING |

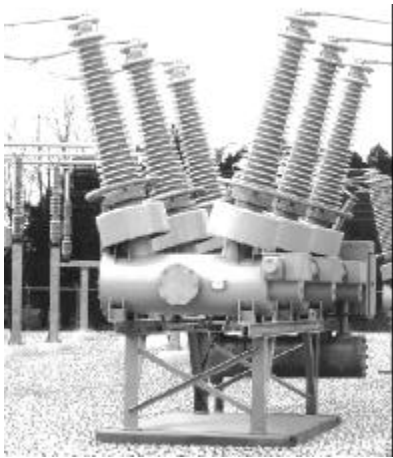
Main Valve Kit

169 kV



MAIN VALVE KIT, 63-1001-00

| ITEM | QTY | HVB PART No. | DESCRIPTION |
|------|-----|--------------|-------------|
| A | 1 | 01-0041-00 | O-RING |
| B | 1 | 01-1032-00 | GASKET |
| C | 1 | 23-1004-00 | CUSHION |
| D | 1 | 01-3002-00 | CUSHION |
| E | 1 | 01-1051-00 | GASKET |
| F | 1 | 01-0035-00 | O-RING |



Manufactured 1/86 to 11/87

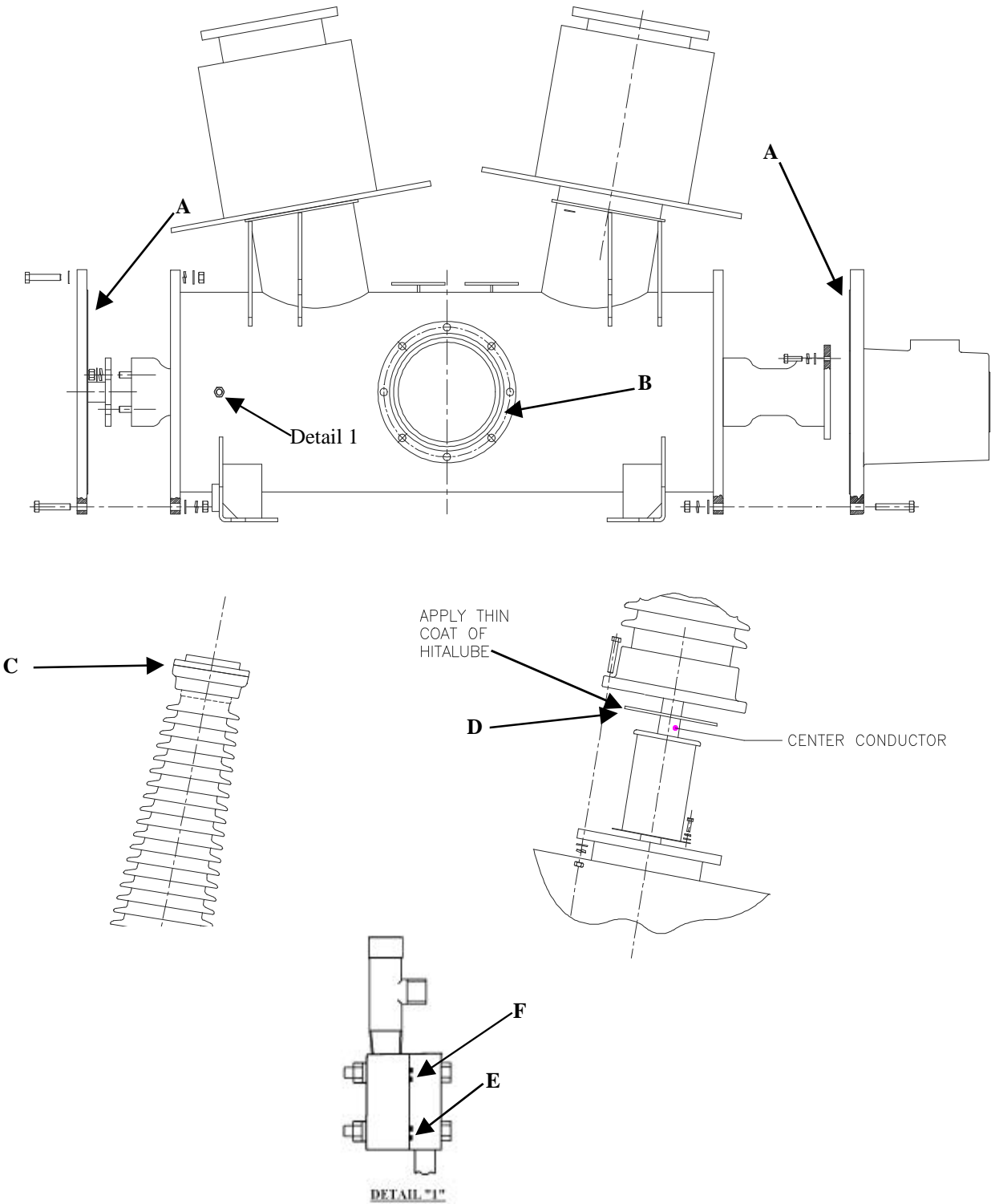
169kV/50kA GCB

SECTION CONTENTS

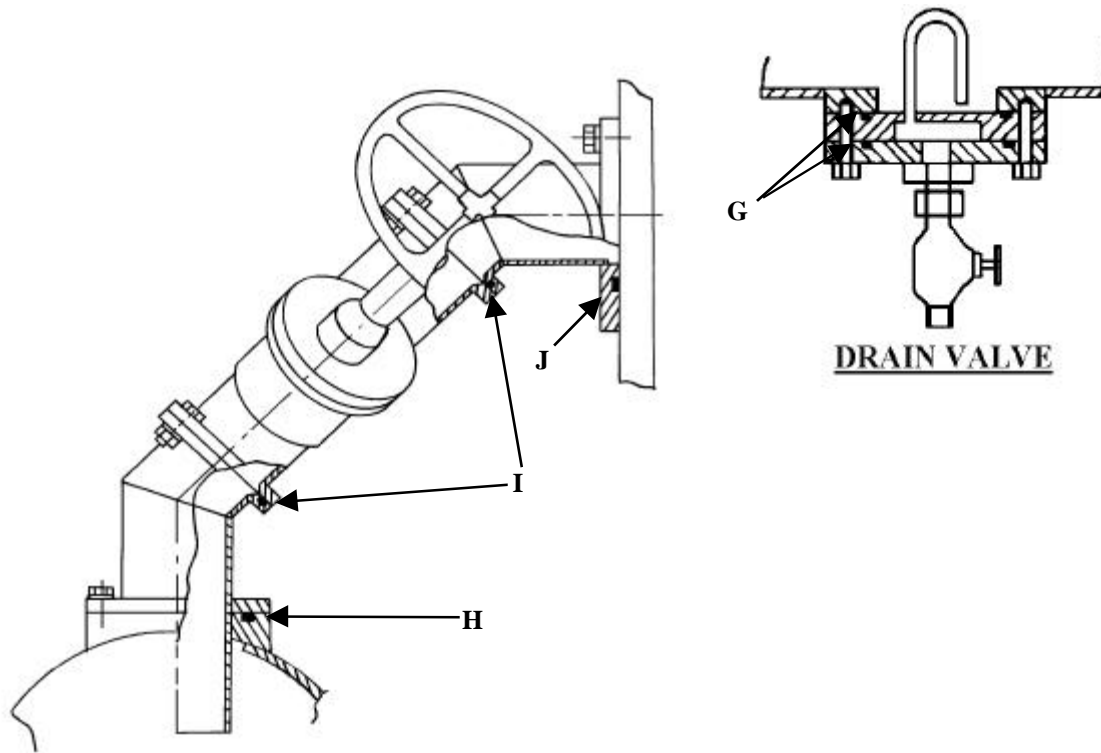
169 kV

- ◆ Gas Tank Gasket Kit..... 30 & 31
- ◆ Desiccant Kit..... 32
- ◆ Interrupter Repair Kit..... 33
- ◆ Rotating Seal Kit..... 34
- ◆ Pilot/Charging Valve Kit..... 35
- ◆ Dashpot Gasket Kit..... 36
- ◆ Main Valve Kit..... 37

Tank Gasket Kit



169 kV



TANK GASKET KIT (1 POLE), 63-3007-00

| ITEM | QTY | HVB PART NUMBER | DESCRIPTION |
|------|-----|-----------------|----------------------------|
| A | 2 | 01-0071-00 | O-RING - MECHINISM PORT |
| B | 1 | 01-0062-00 | O-RING - INSPECTION PORT |
| C | 2 | 01-1023-01 | GASKET-BUSHING UPPER END |
| D | 2 | 01-1007-00 | GASKET - BUSHING LOWER END |
| E | 1 | 01-0050-00 | O-RING GAS VALVE FLANGE |
| F | 1 | 01-0061-00 | O-RING GAS VALVE FLANGE |
| G | 2 | 01-0069-00 | O-RING DRAIN VALVE FLANGE |

AIR TANK OPTIONS (SHIPPED BEFORE 1/87)

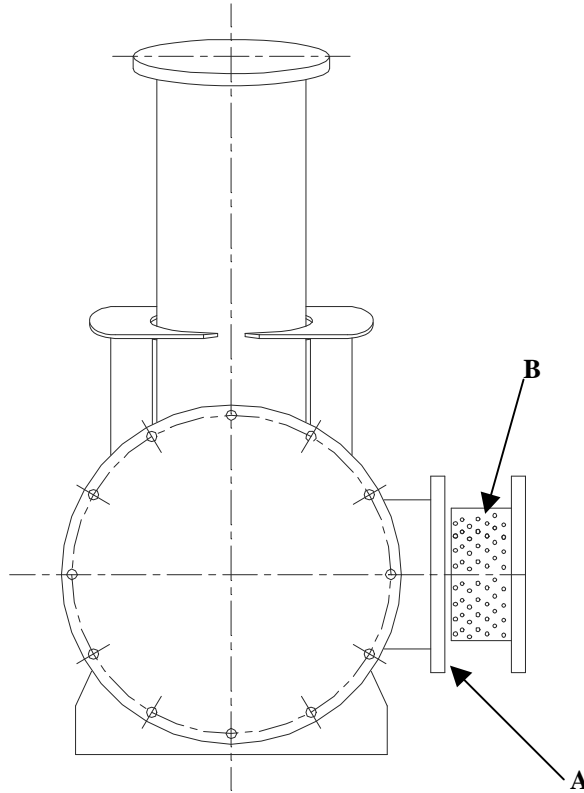
| ITEM | QTY | HVB PART NUMBER | DESCRIPTION |
|------|-----|-----------------|-------------------------|
| | 1 | 01-0059-00 | O-RING AIR RECEIVER END |
| H | 2 | 01-0030-00 | O-RING AIR RECEIVER END |
| I | 2 | 01-0028-00 | O-RING AIR PIPE |

AIR TANK OPTIONS (SHIPPED BETWEEN 1/87-10/89)

| ITEM | QTY | HVB PART NUMBER | DESCRIPTION |
|------|-----|-----------------|-------------------------|
| H | 1 | 01-0030-00 | O-RING AIR RECEIVER END |
| I | 2 | 01-0028-00 | O-RING AIR PIPE |
| J | 1 | 01-0030-00 | O-RING AIR PIPE |

Desiccant Kit

169 kV

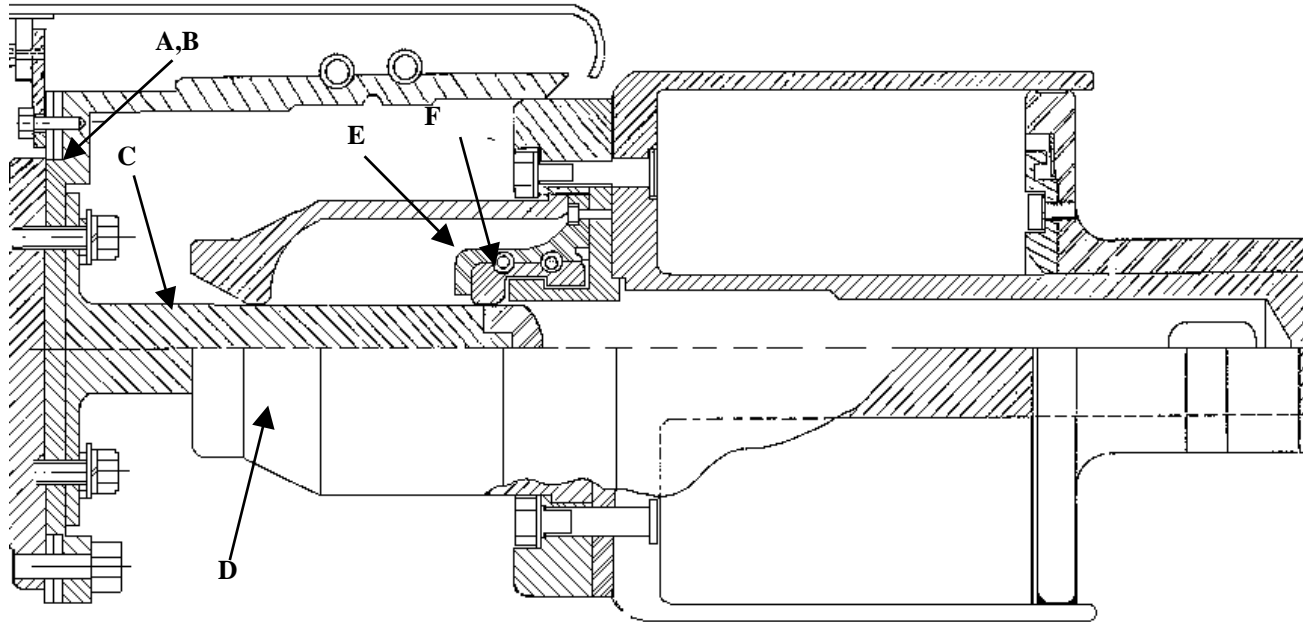


DESICCANT KIT (3 POLES), 63-1017-00

| ITEM | QTY | HVB PART NUMBER | DESCRIPTION |
|------|-----|-----------------|------------------------|
| A | 3 | 01-0062-00 | O-RING INSPECTION PORT |
| B | 6 | 05-0091-00 | DESICCANT (2.5LB BAGS) |

Interrupter Repair Kit

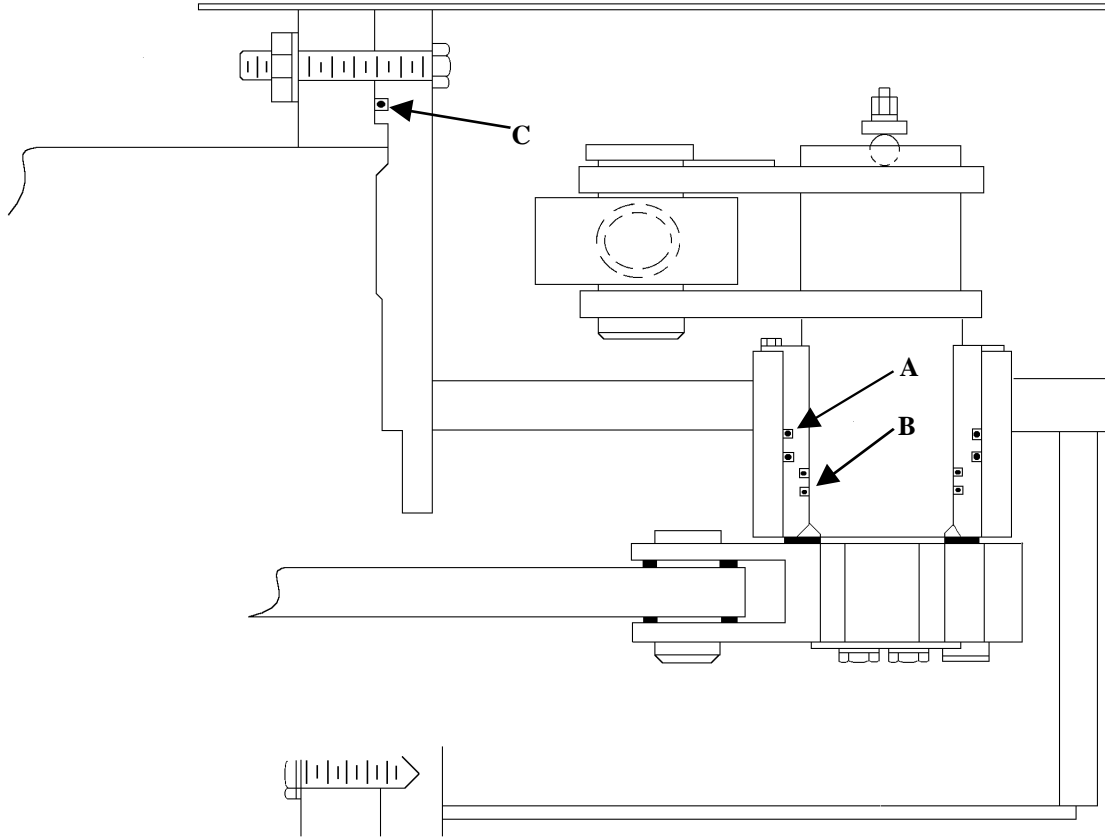
169 kV



INTERRUPTER REPAIR KIT (1 POLE), 63-1011-00

| ITEM | QTY | HVB PART NUMBER | DESCRIPTION |
|------|-----|-----------------|--------------------------------|
| A | 2 | 23-1033-00 | SHIM 0.02" |
| B | 2 | 23-1032-00 | SHIM 0.079" |
| C | 1 | 23-1031-00 | STATIONARY CONTACT |
| D | 1 | 23-1030-00 | TEFLON NOZZLE |
| E | 1 | 23-4002-00 | TEFLON COVER |
| F | 1 | 23-4026-00 | MOVING ARCING CONTACT SEGMENTS |

Rotating Seal Kit



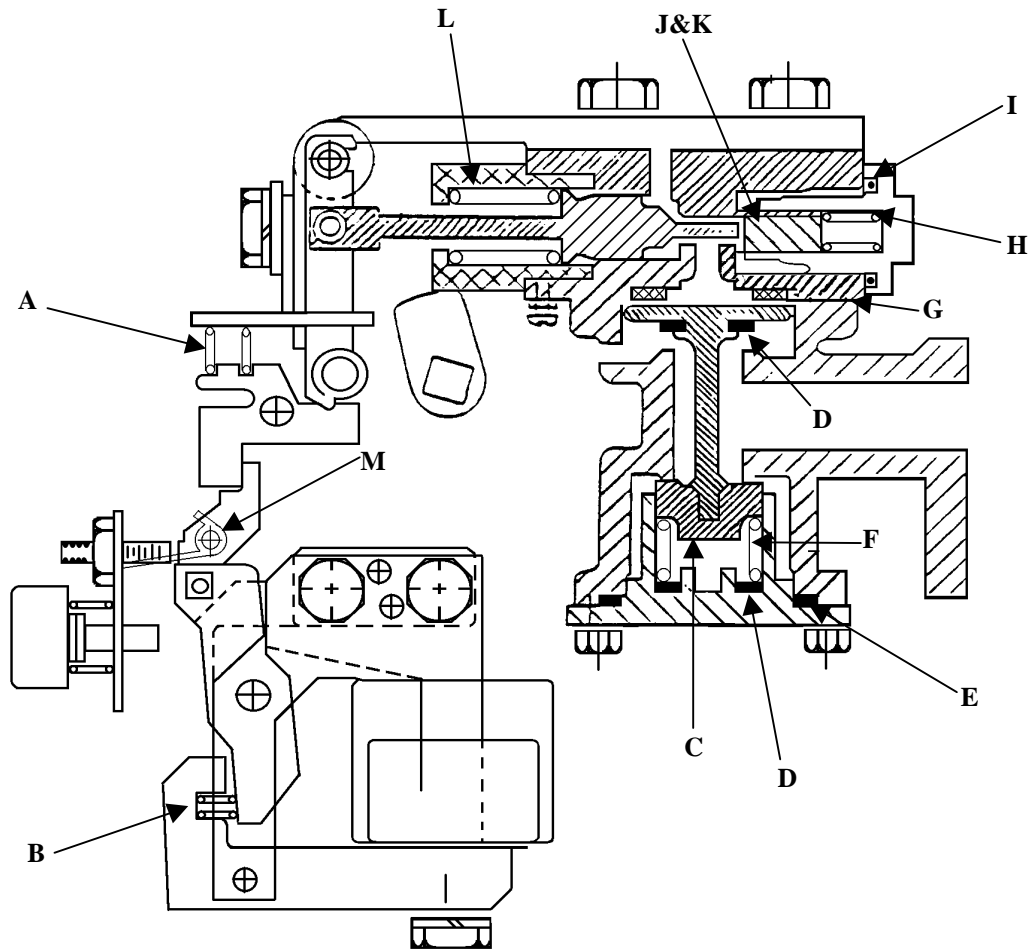
169 kV

ROTATING SEAL KIT, 63-3000-00

| ITEM | QTY | HVB PART NUMBER | DESCRIPTION |
|------|-----|-----------------|---|
| A | 2 | 01-0039-00 | O-RING |
| B | 2 | 01-0072-00 | O-RING |
| C | 1 | 01-0071-00 | O-RING |
| D | 1 | 01-1007-00 | GASKET – BUSHING LOWER END (Not Pictured) |

Pilot/Charging Valve Kit

169 kV

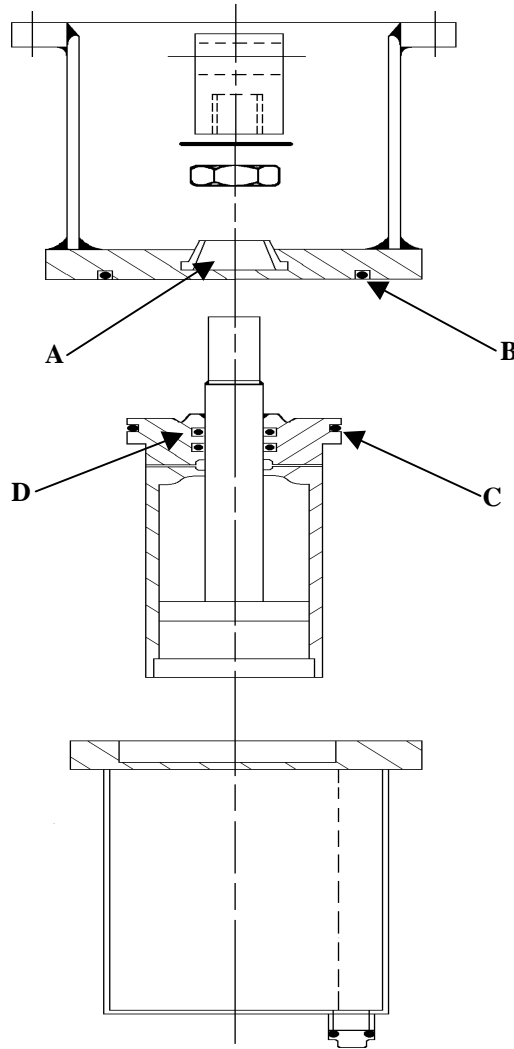


PILOT/CHARGING VALVE KIT, 63-1000-00

| ITEM | QTY | HVB PART NUMBER | DESCRIPTION |
|------|-----|-----------------|------------------------------|
| A | 1 | 25-4005-00 | SPRING |
| B | 2 | 25-4006-00 | SPRING |
| C | 1 | 25-1000-00 | TEFLON VALVE |
| D | 2 | 01-3001-00 | CUSHION |
| E | 1 | 01-1042-00 | GASKET |
| F | 1 | 25-1002-00 | SPRING |
| G | 1 | 01-0040-00 | O-RING |
| H | 1 | 25-4007-00 | SPRING |
| I | 1 | 01-0046-00 | O-RING |
| J | 1 | 25-4000-00 | TEFLON VALVE |
| K | 1 | 25-1001-01 | PIN FOR TEFLON VALVE |
| L | 1 | 25-4008-00 | SPRING |
| M | 1 | 25-4014-00 | SPRING |
| N | 1 | 01-0046-00 | O-RING- AIR PIPE (NOT SHOWN) |
| O | 1 | 01-0035-00 | O-RING- AIR PIPE (NOT SHOWN) |

Dashpot Gasket Kit

169 kV

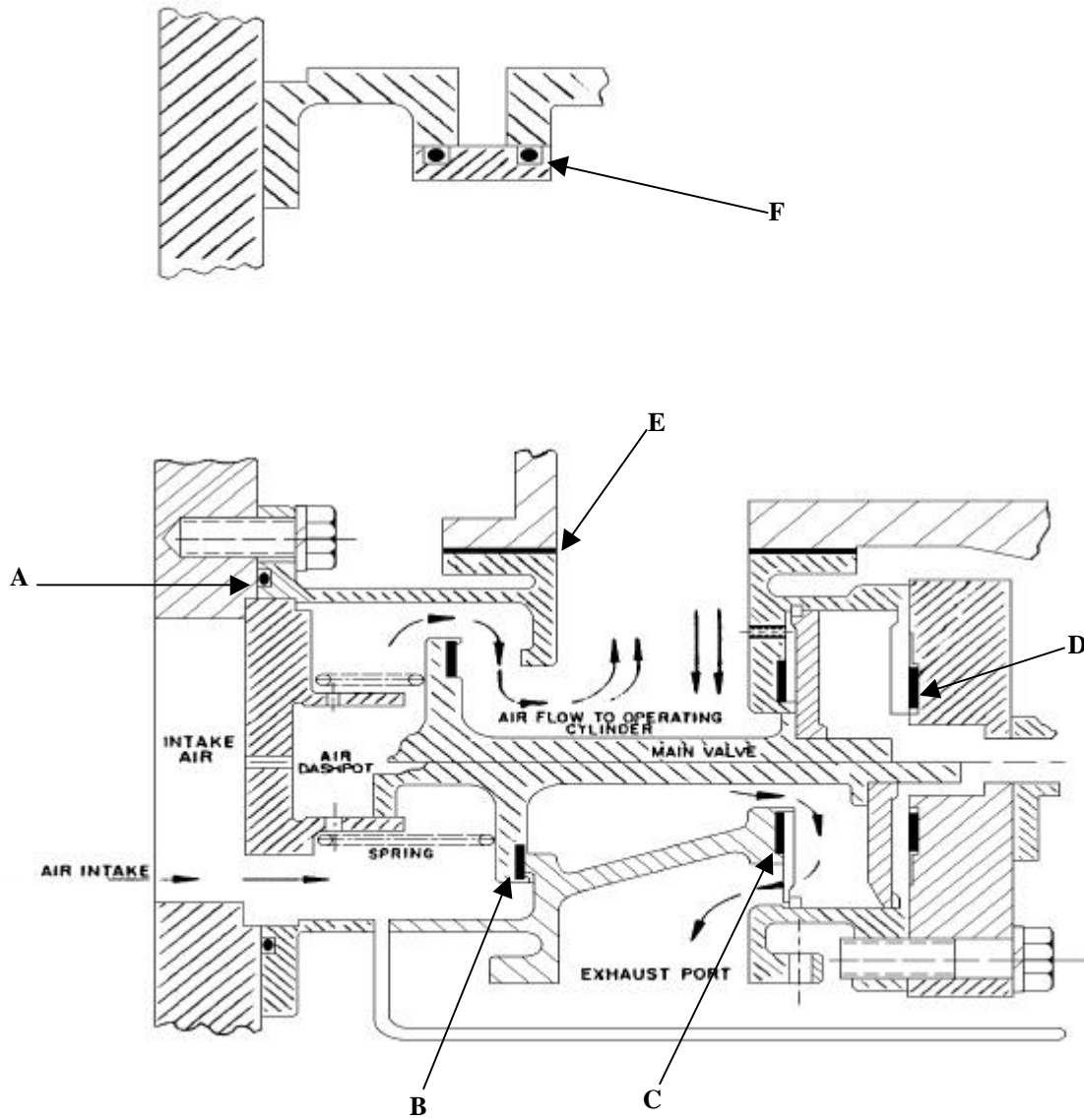


DASHPOT GASKET KIT, 63-1014-00

| ITEM | QTY | HVB PART NUMBER | DESCRIPTION |
|------|-----|-----------------|-------------|
| A | 1 | 23-4005-00 | DUST SEAL |
| B | 1 | 01-0029-00 | O-RING |
| C | 1 | 01-0027-00 | O-RING |
| D | 2 | 01-0052-00 | O-RING |

169 kV

Main Valve Kit



MAIN VALVE KIT, 63-1015-00

| ITEM | QTY | HVB PART NUMBER | DESCRIPTION |
|------|-----|-----------------|-------------|
| A | 1 | 01-0031-00 | O-RING |
| B | 1 | 01-1045-00 | GASKET |
| C | 1 | 01-3000-00 | CUSHION |
| D | 1 | 01-3002-00 | CUSHION |
| E | 1 | 01-1041-00 | GASKET |
| F | 1 | 01-0035-00 | O-RING |