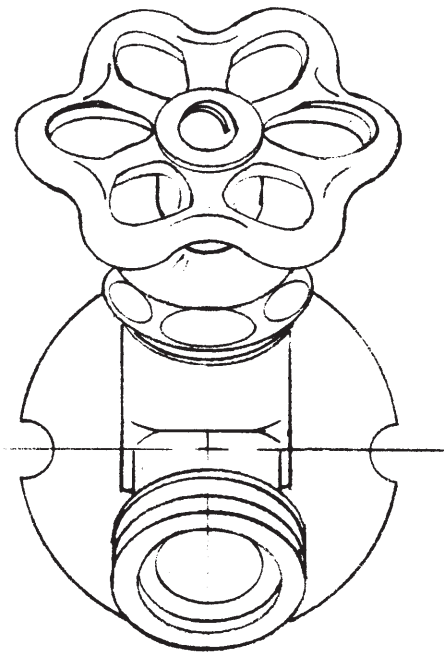
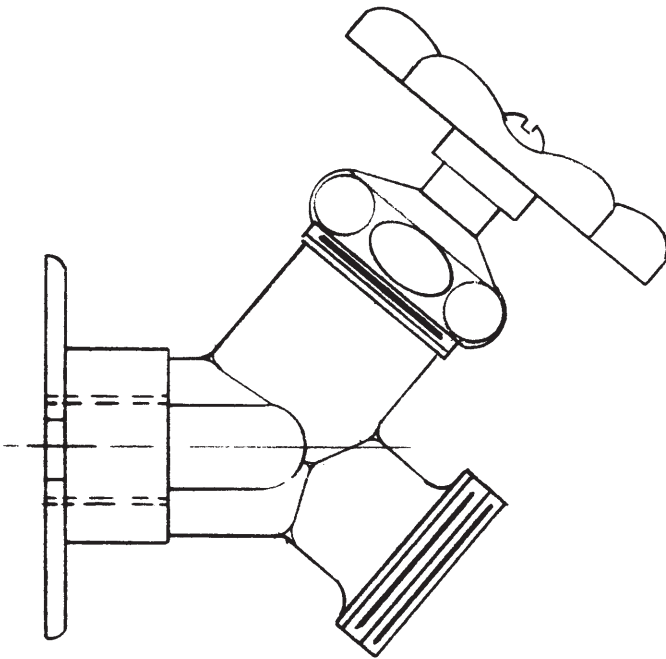


REV. SH DWG NO. 265A5240 SIZE A

THIRD ANGLE PROJECTION



REVISIONS			
REV.	DESCRIPTION	DATE	APPROVED



3/4" NPT, BRASS
 INTERNAL SCREW TO BG 300 SERIES SS. OR BRASS
 (NON-MAGNETIC)

55

UNLESS OTHERWISE SPECIFIED	SIGNATURES		DATE	GENERAL ELECTRIC MIDWEST ELECTRIC DEPT LOC MANKATO, MN			
	DRAWN H H		3/31/90				
DIMENSIONS ARE IN INCHES TOLERANCES ON: 2 PL DECIMALS ± 3 PL DECIMALS ± ANGLES ± FRACTIONS ±	CHECKED			3/4" FAUCET			
	ENGRG						
	ISSUED CN90-50		3/31/90				
	1	CN97-40	DAL	5-15-97	SIZE A	FSCM. NO.	DWG. NO. 265A5240
					SCALE 1/1	SHEET	