

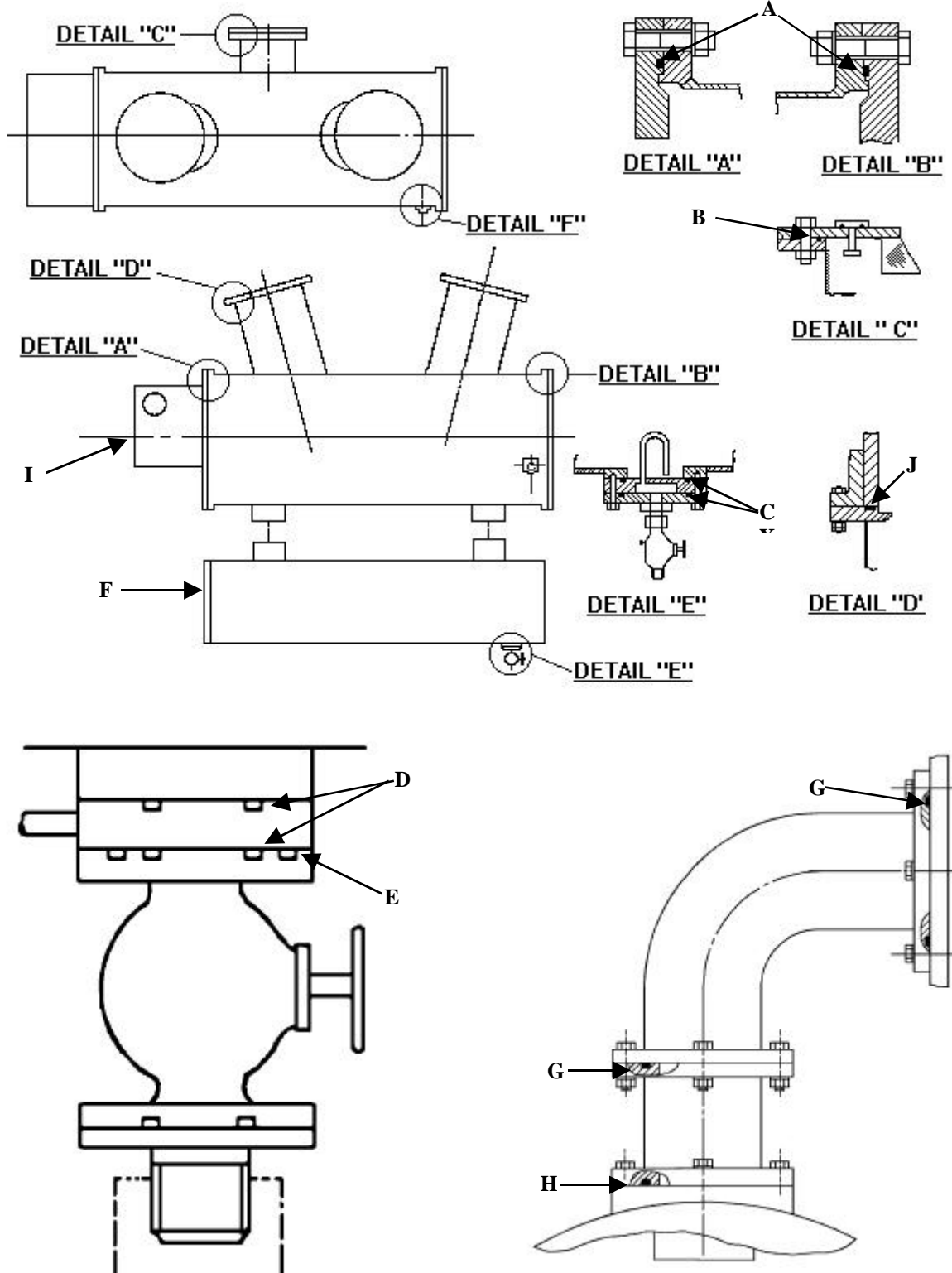
Manufactured 5/88 to 8/94

362kV 40kA GCB Type E

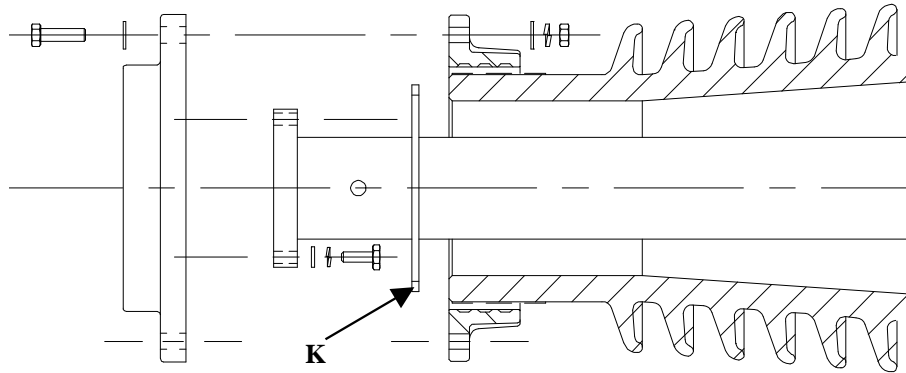
SECTION CONTENTS

◆ Gas Tank Gasket Kit	131 & 132
◆ Desiccant Kit.....	133
◆ Interrupter Repair Kit.....	134
◆ Rotating Seal Kit.....	135
◆ Pilot/Charging Valve Kit.....	136
◆ Dashpot Gasket Kit.....	137

Gas Tank Gasket Kit



362 kV



TANK GASKET KIT (1 POLE), 63-5008-00 (SHIPPED BETWEEN 5/88 to 5/92)

ITEM	QTY	HVB PART NUMBER	DESCRIPTION
A	2	01-0081-00	O-RING-MECHANISM PORT & END PLATE
B	1	01-0059-00	O-RING-DESICCANT PORT(C)
C	2	01-0069-00	O-RING-DRAIN VALVE FLANGE
D	2	01-0050-00	O-RING-GAS VALVE FLANGE
E	1	01-0061-00	O-RING-GAS VALVE FLANGE
I	1	01-0032-00	O-RING-CRANKCASE HANDHOLE
J	2	01-1033-00	GASKET-BUSHING LOWER END
K	2	01-1034-00	GASKET-BUSHING UPPER END

AIR TANK OPTIONS (SHIPPED BETWEEN 5/88 to 5/92)

ITEM	QTY	HVB PART NUMBER	DESCRIPTION
F	2	01-0030-00	O-RING-AIR RECEIVER END
G	2	01-0028-00	O-RING-AIR PIPE
H	1	01-0030-00	O-RING-AIR PIPE

TANK GASKET KIT (1 POLE), 63-5008-00 (SHIPPED BETWEEN 6/92 to 8/94)

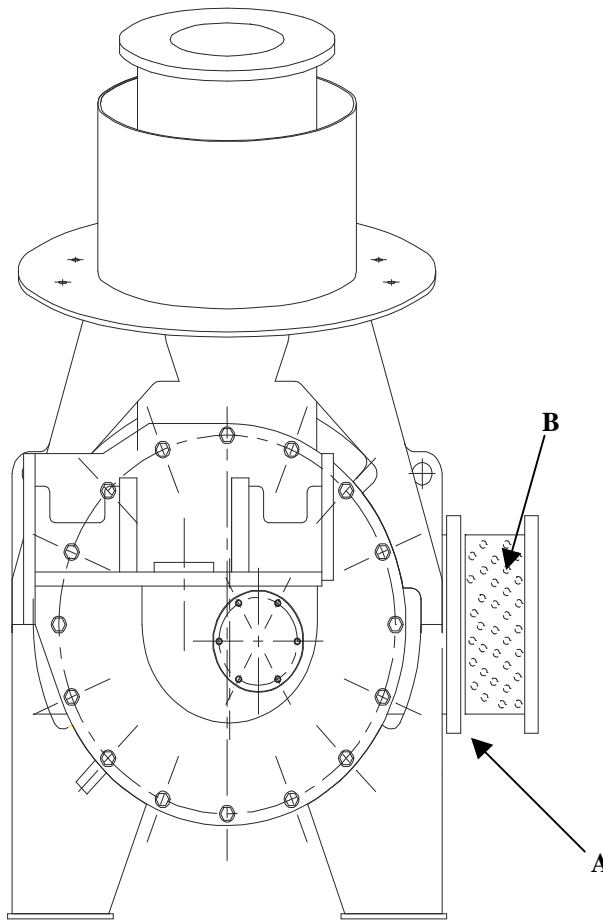
ITEM	QTY	HVB PART NUMBER	DESCRIPTION
A	2	01-0081-00	O-RING-MECHANISM PORT & END PLATE
B	1	01-0021-00	O-RING-DESICCANT PORT(C)
J	2	01-1020-00	GASKET-BUSHING LOWER END
K	2	01-1020-01	GASKET-BUSHING UPPER END

AIR TANK OPTIONS (SHIPPED BETWEEN 6/92 to 8/94)

ITEM	QTY	HVB PART NUMBER	DESCRIPTION
F	2	01-0011-00	O-RING-AIR RECEIVER END
G	2	01-0012-00	O-RING-AIR PIPE
H	1	01-0011-00	O-RING-AIR PIPE

362 KV

Desiccant Kit



362 kV

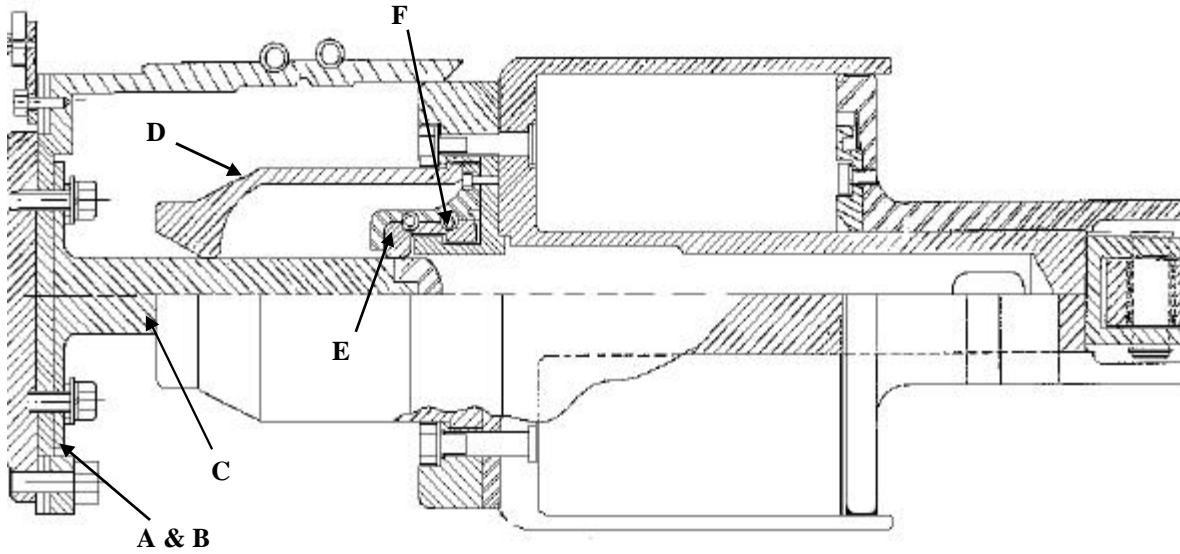
DESICCANT KIT (1 BREAKER), 63-5007-00 (MANUFACTURED BETWEEN 5/88 to 5/92)

ITEM	QTY	HVB PART NUMBER	DESCRIPTION
A	3	01-0059-00	O-RING INSPECTION PORT
B	6	05-0091-00	DESICCANT (2.5LB BAGS)

DESICCANT KIT (1 BREAKER), 63-5007-01 (MANUFACTURED BETWEEN 6/92 to 8/94)

ITEM	QTY	HVB PART NUMBER	DESCRIPTION
A	3	01-0021-00	O-RING INSPECTION PORT
B	6	05-0091-00	DESICCANT (2.5LB BAGS)

Interrupter Repair Kit

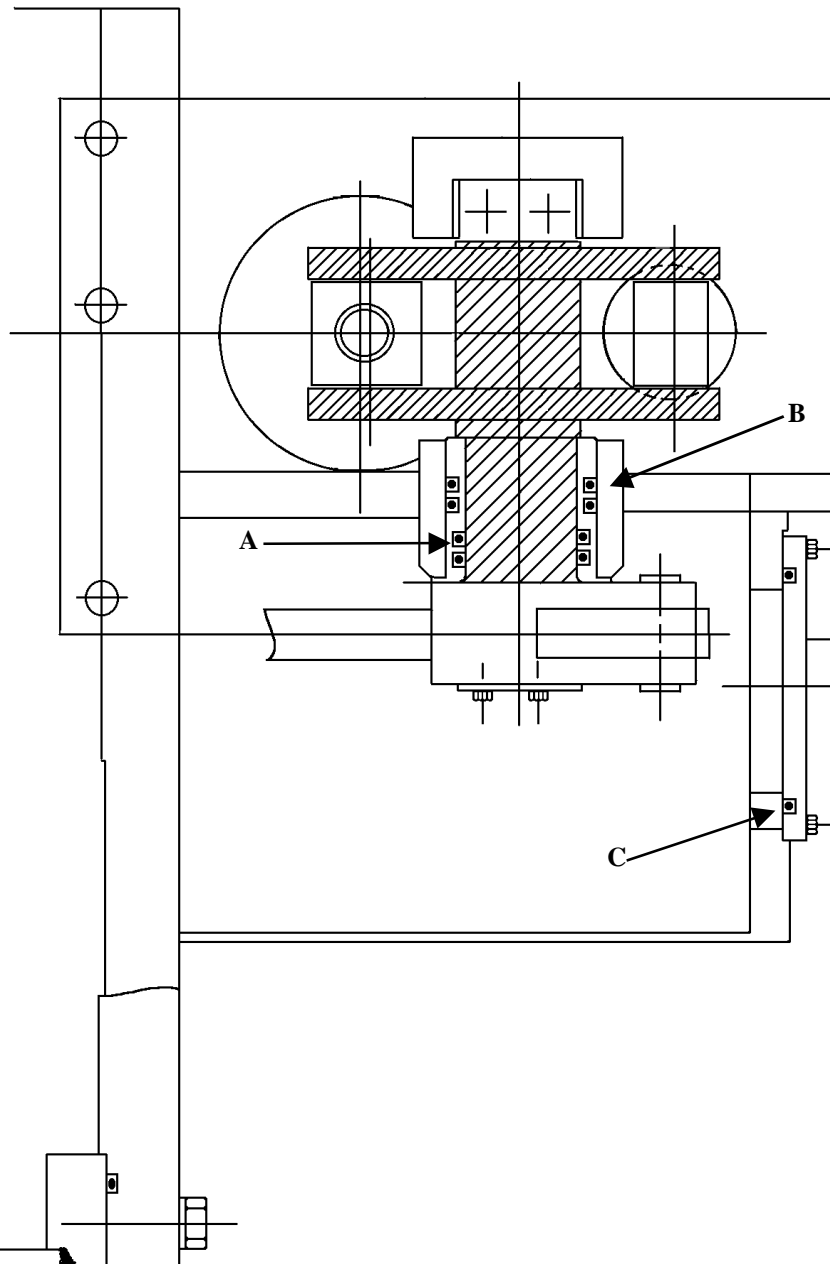


INTERRUPTER REPAIR KIT (1 POLE), 63-5015-01

ITEM	QTY	HVB PART NUMBER	DESCRIPTION
A	2	01-2006-00	SHIM 0.04" THICK
B	2	01-2008-00	SHIM 0.050" THICK
C	1	23-5017-02	STATIONARY CONTACT
D	1	23-5001-00	TEFLON NOZZLE
E	1	23-5000-00	TEFLON COVER
F	1	23-5002-00	MOVING CONTACT SEGMENTS

362 KV

Rotating Seal Kit

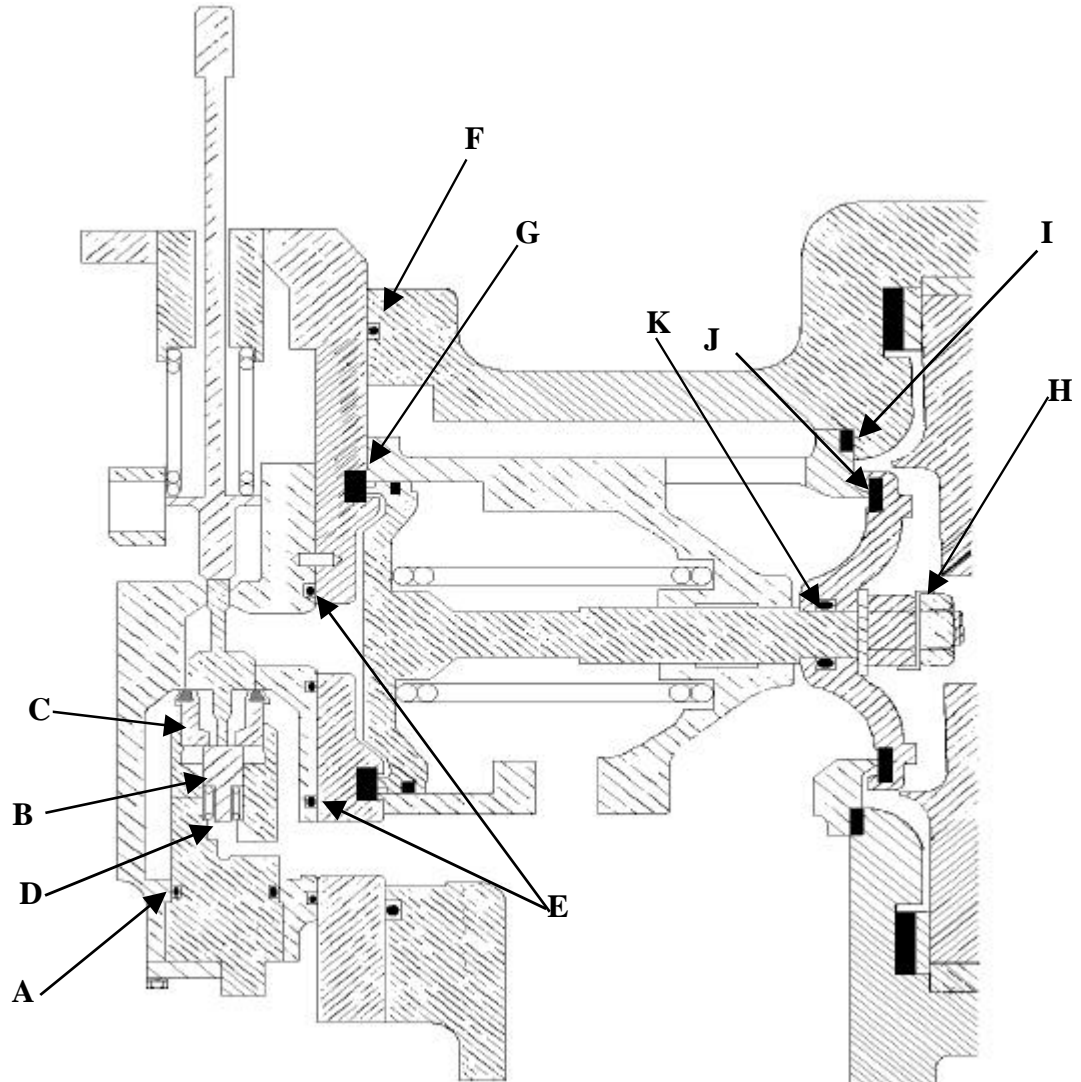


362 kV

ROTATING SEAL KIT, 63-5006-00

ITEM	QTY	HVB PART NUMBER	DESCRIPTION
A	2	01-0074-00	O-RING
B	2	01-0026-00	O-RING
C	1	01-0032-00	O-RING - CRANKCASE HANDHOLE

Pilot/Charging Valve Kit

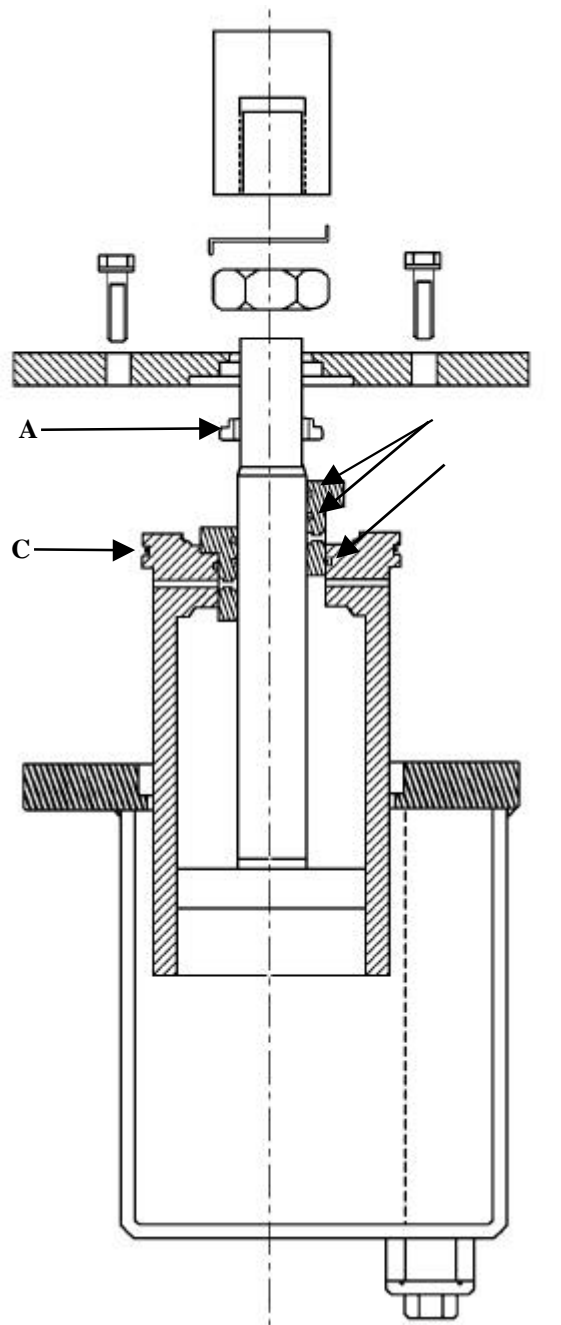


362 KV

PILOT VALVE KIT (1POLE), 63-5003-00 (A-D)
 CHARGING VALVE KIT (1POLE), 63-5001-01 (E-K)
 PILOT/CHARGING VALVE KIT, 63-5009-00 (A-K)

ITEM	QTY	HVB PART NUMBER.	DESCRIPTION
A	1	01-0038-00	O-RING
B	1	25-4004-00	NYLON VALVE
C	1	25-4003-00	PILOT PISTON
D	1	25-5003-00	SPRING
E	2	01-0037-00	O-RING
F	1	01-0036-00	O-RING
G	1	01-1048-00	GASKET
H	1	21-5000-00	LOCKING PLATE
I	1	01-1049-00	GASKET
J	1	01-1050-00	GASKET
K	1	01-0045-00	O-RING

Dashpot Gasket Kit



362 kV

DASHPOT GASKET KIT (1 POLE), 63-5005-00

ITEM	QTY	HVB PART NUMBER	DESCRIPTION
A	1	23-5010-00	DUST SEAL
B	2	01-0056-00	O-RING
C	1	01-0028-00	O-RING
D	1	01-0063-00	O-RING