



Manufactured 9/94 to Present

362kV 40kA GCB Type F

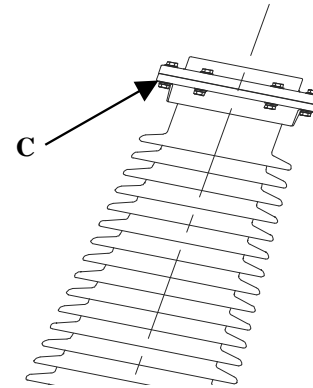
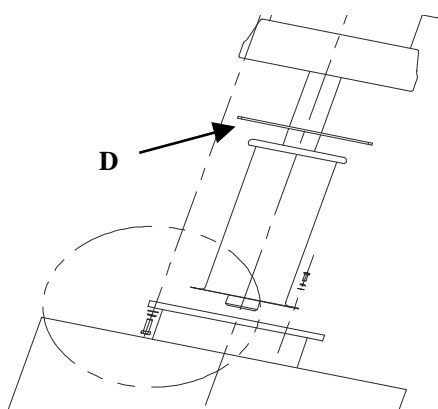
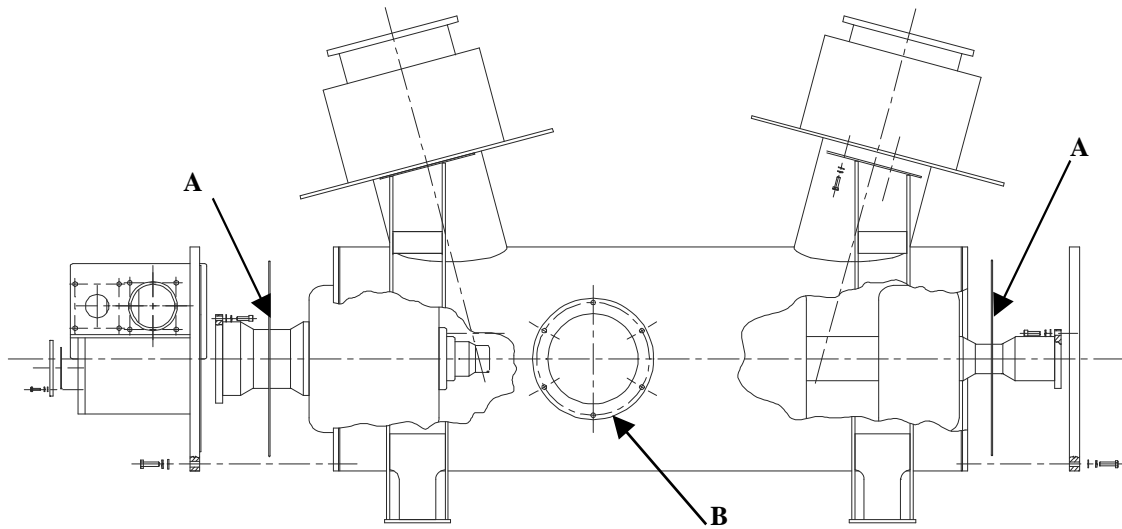
Manufactured 8/93 to Present

362kV 50kA GCB Type A

SECTION CONTENTS

◆ Gas Tank Gasket Kit	139 & 140
◆ Desiccant Kit.....	141
◆ Interrupter Repair Kit.....	142
◆ Rotating Seal Kit.....	143
◆ Pilot/Charging Valve Kit.....	144
◆ Dashpot Gasket Kit.....	145

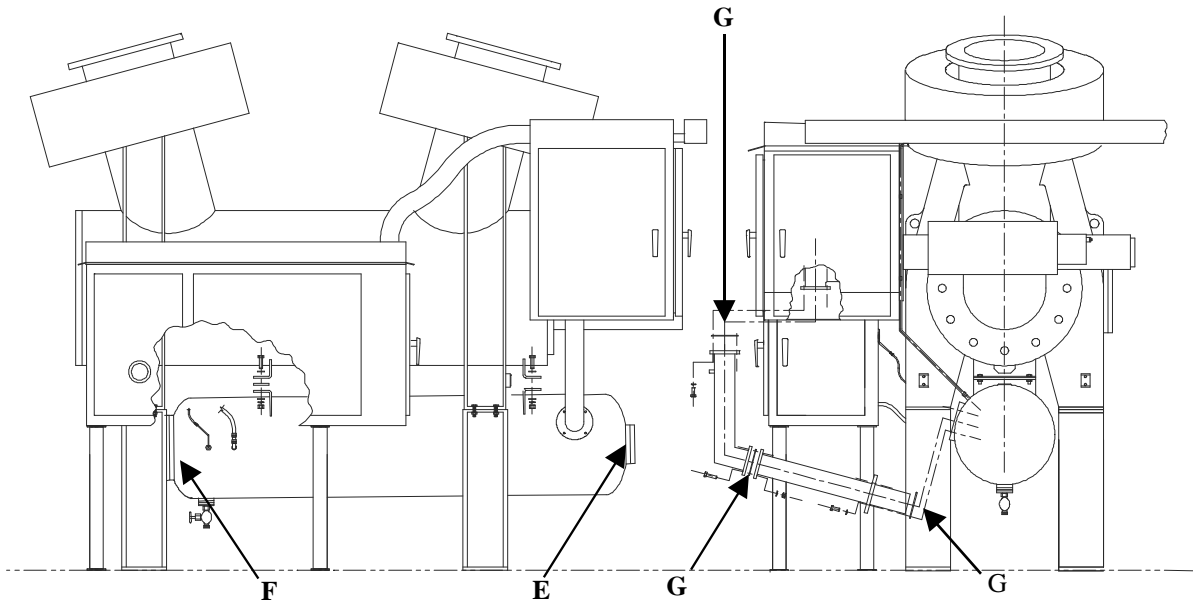
Gas Tank Gasket Kit



362 kV

TANK GASKET KIT (1 POLE), 63-5008-02

ITEM	QTY	HVB PART NUMBER	DESCRIPTION
A	2	01-0081-00	O-RING - MECHANISM PORT & END PLATE
B	1	01-0021-00	O-RING - DESICCANT PORT
C	2	01-1020-01	GASKET - BUSHING UPPER END
D	2	01-1020-00	GASKET - BUSHING LOWER END

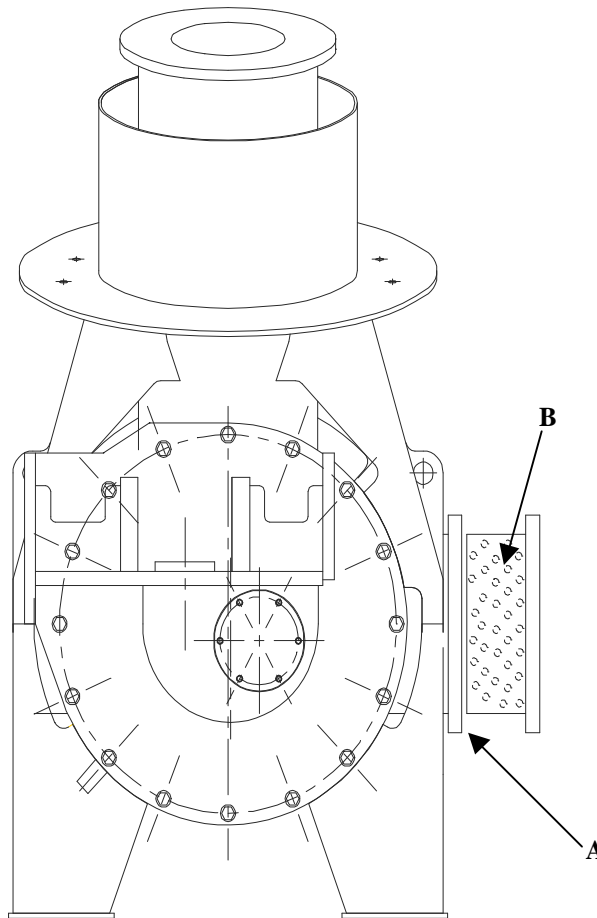


AIR TANK OPTIONS

ITEM	QTY	HVB PART NUMBER	DESCRIPTION
E	1	01-0011-00	O-RING - AIR RECEIVER END
F	1	01-0012-00	O-RING - AIR RECEIVER END
G	3	01-0011-00	O-RING - AIR PIPE

362 KV

Desiccant Kit

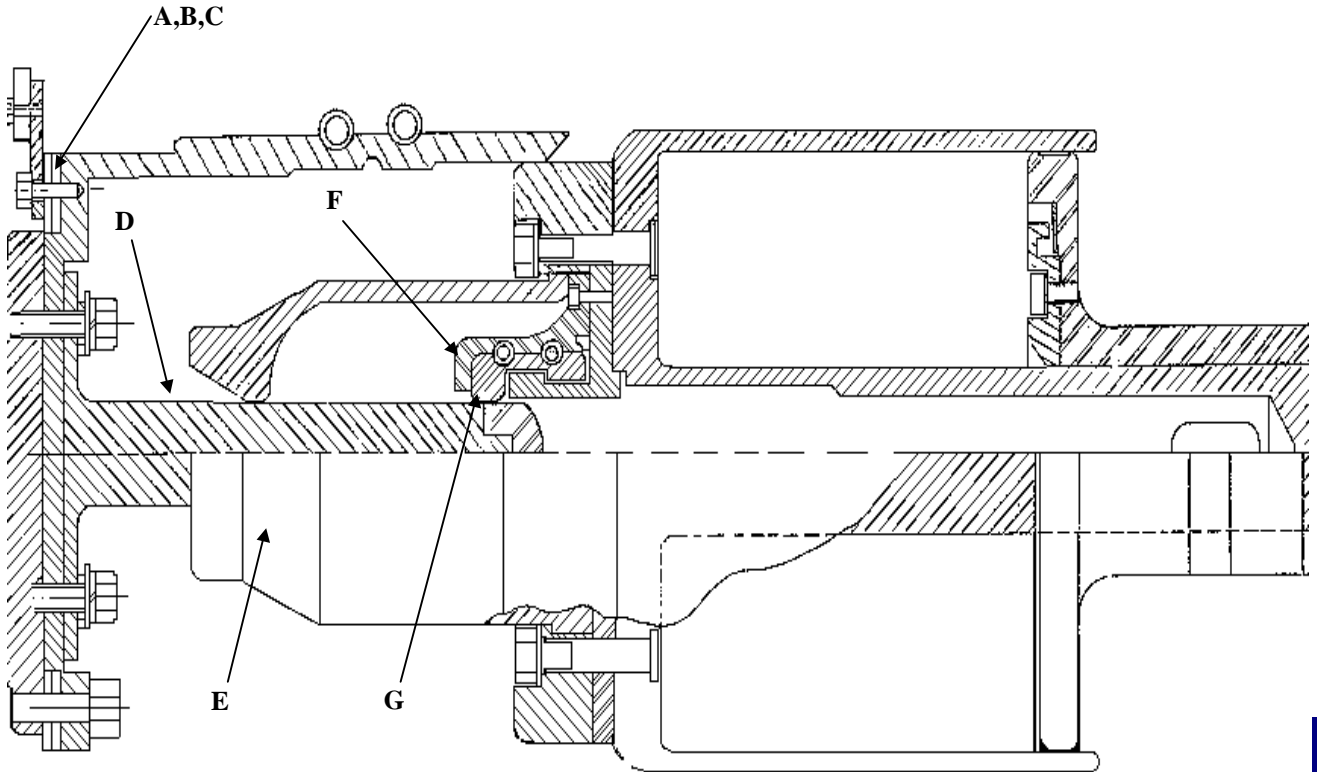


362 kV

DESICCANT KIT (3 POLES), 63-5007-01

ITEM	QTY	HVB PART NUMBER	DESCRIPTION
A	3	01-0021-00	O-RING - INSPECTION PORT
B	6	05-0091-00	DESICCANT (2.25LB BAGS)

Interrupter Repair Kit

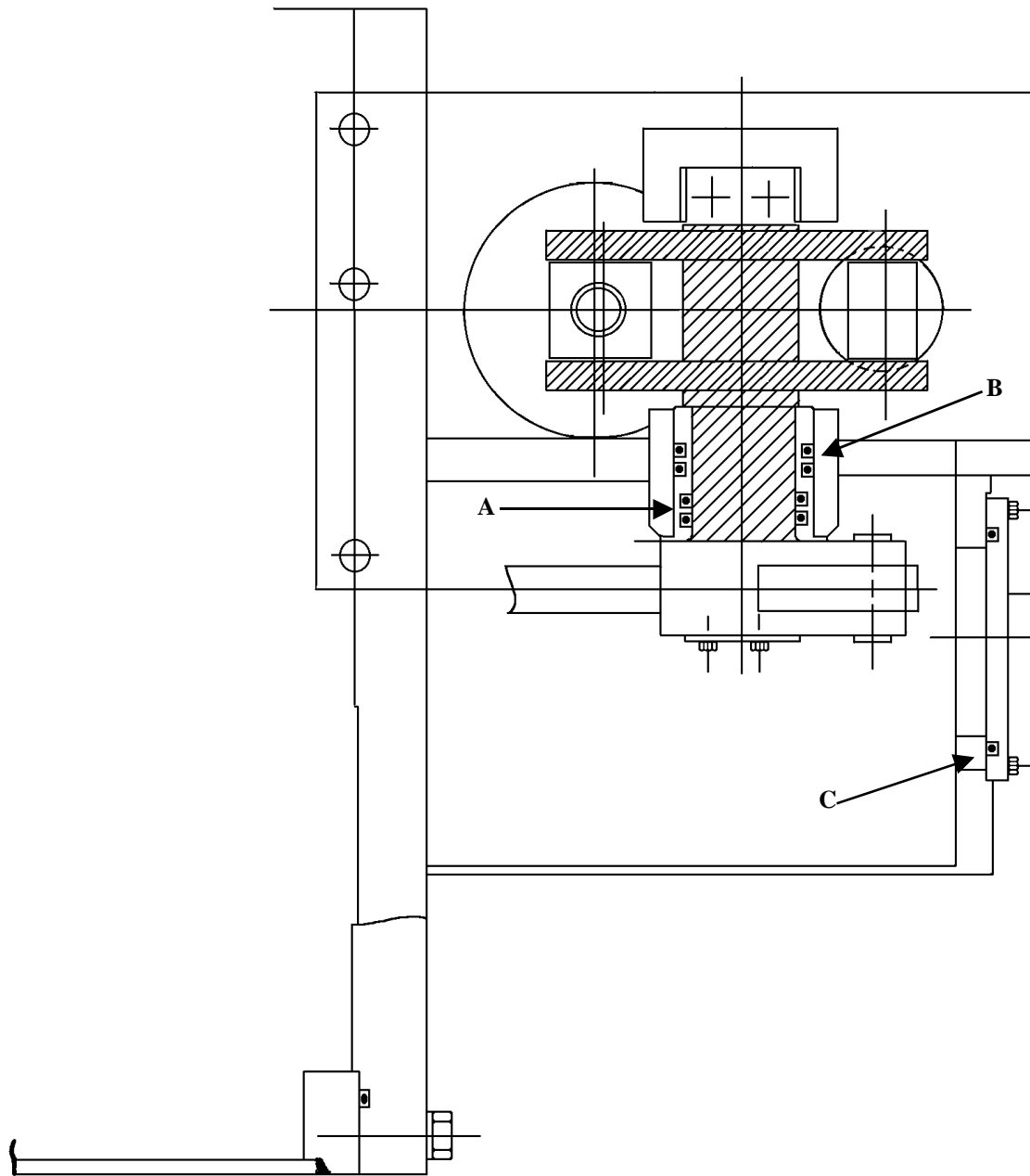


362 KV

INTERRUPTER REPAIR KIT (1 POLE), 63-5015-03

ITEM	QTY	HVB PART NUMBER	DESCRIPTION
A	2	01-2025-00	SHIM 0.0315" THICK
B	2	01-2026-00	SHIM 0.079" THICK
C	1	01-2027-00	SHIM 0.024" THICK
D	1	23-4022-00	STATIONARY CONTACT
E	1	23-5011-00	TEFLON NOZZLE
F	1	23-5012-00	TEFLON COVER
G	1	23-5013-01	MOVING CONTACT (set of 6)

Rotating Seal Kit

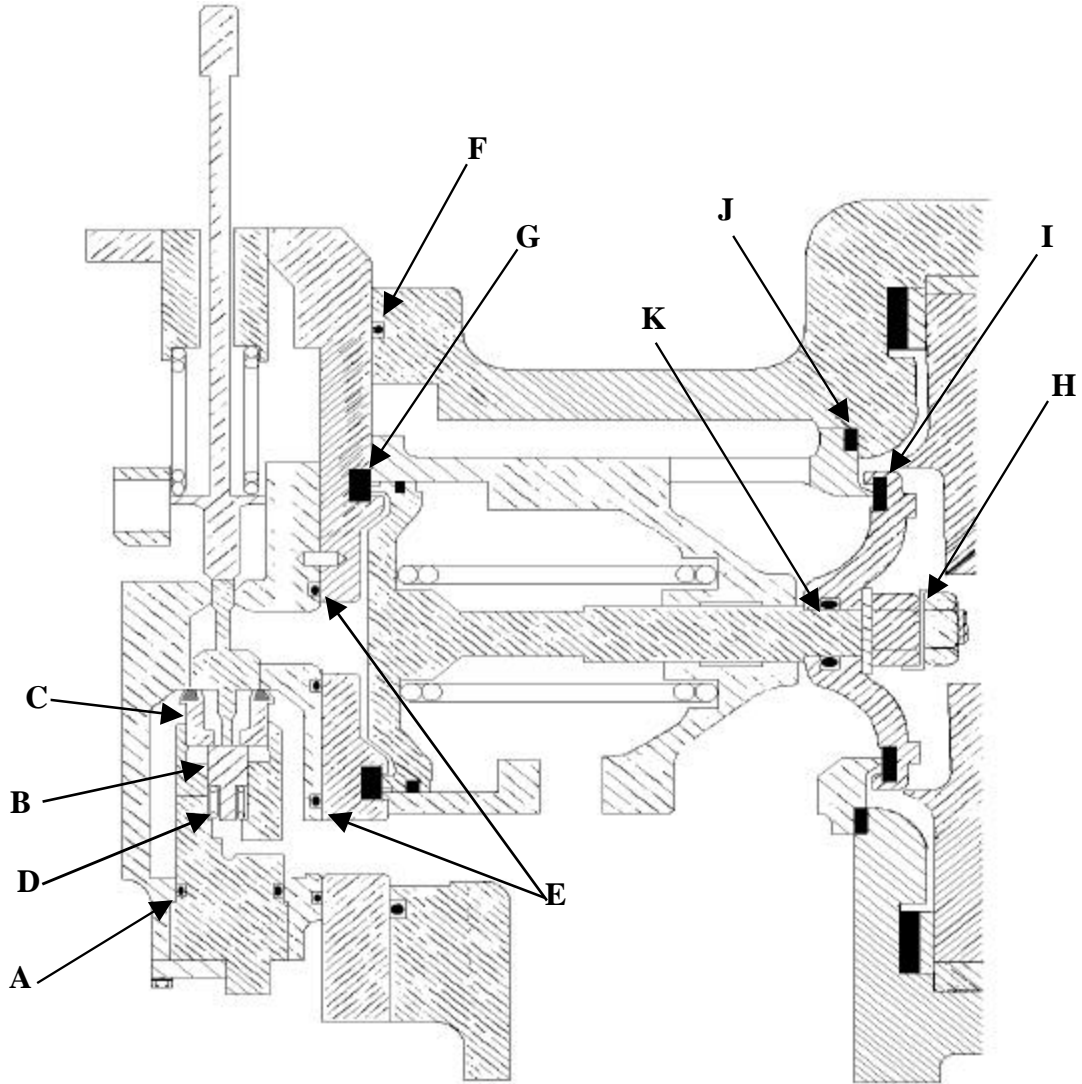


362 kV

ROTATING SEAL KIT (1 POLE), 63-5006-00

ITEM	QTY	HVB PART NUMBER	DESCRIPTION
A	2	01-0074-00	O-RING
B	2	01-0026-00	O-RING
C	1	01-0032-00	O-RING

Pilot/Charging Valve Kit

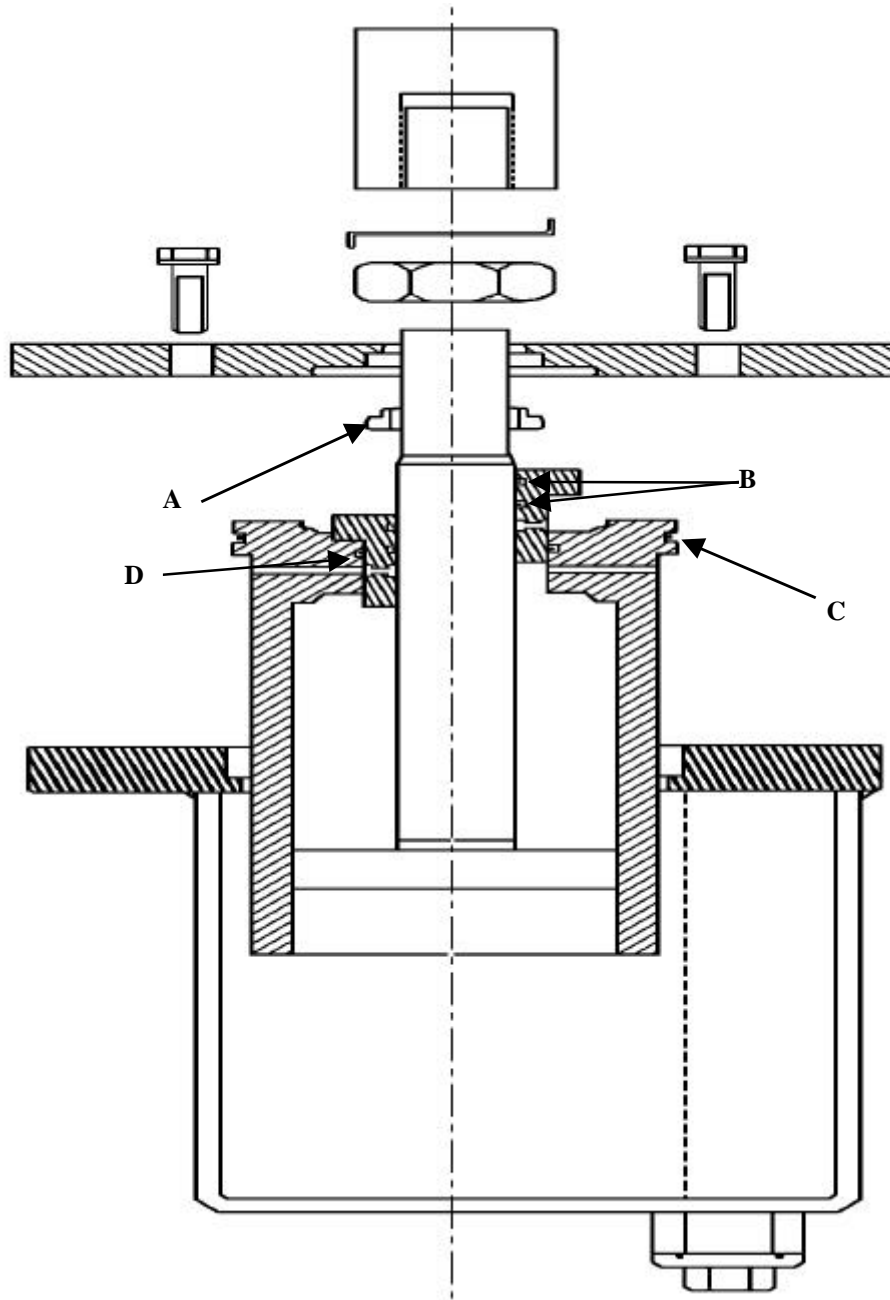


PILOT VALVE KIT (1POLE), 63-5003-00 (A-D)
 CHARGING VALVE KIT (1POLE), 63-5001-01 (E-K)
 PILOT/CHARGING VALVE KIT (1 POLE), 63-5009-00 (A-K)

362 KV

ITEM	QTY	HVB PART NUMBER.	DESCRIPTION
A	1	01-0038-00	O-RING
B	1	25-4004-00	NYLON VALVE
C	1	25-4003-00	PILOT PISTON
D	1	25-5003-00	SPRING
E	2	01-0037-00	O-RING
F	1	01-0036-00	O-RING
G	1	01-1048-00	GASKET
H	1	21-5000-00	LOCKING PLATE
I	1	01-1049-00	GASKET
J	1	01-1050-00	GASKET
K	1	01-0045-00	O-RING

Dashpot Gasket Kit



362 kV

DASHPOT GASKET KIT (1 POLE), 63-5005-00

ITEM	QTY	HVB PART NUMBER	DESCRIPTION
A	1	23-5010-00	DUST SEAL
B	2	01-0056-00	O-RING
C	1	01-0028-00	O-RING
D	1	01-0063-00	O-RING