



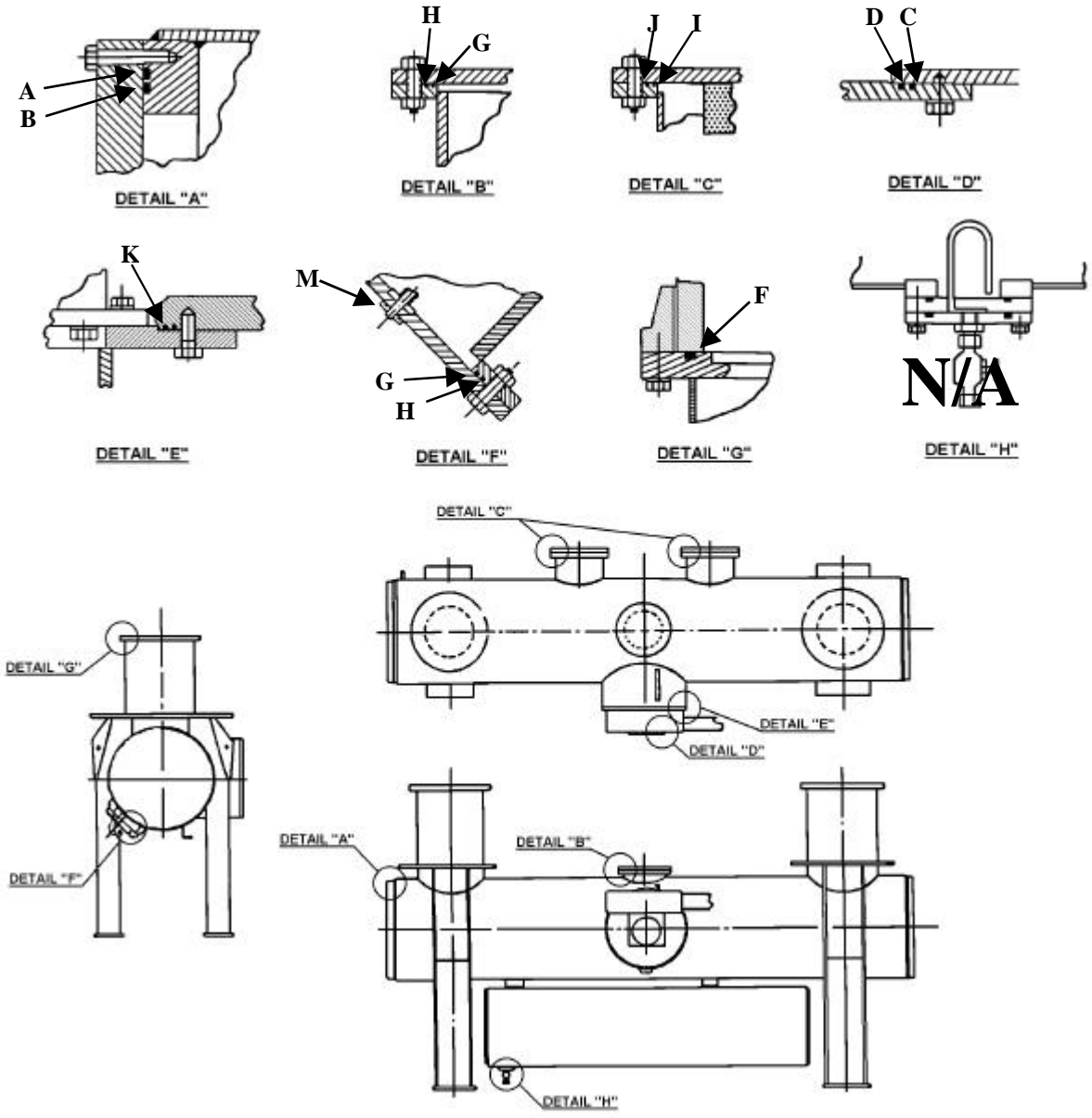
Manufactured 10/80 to 5/82

**362kV 63kA GCB Type A**

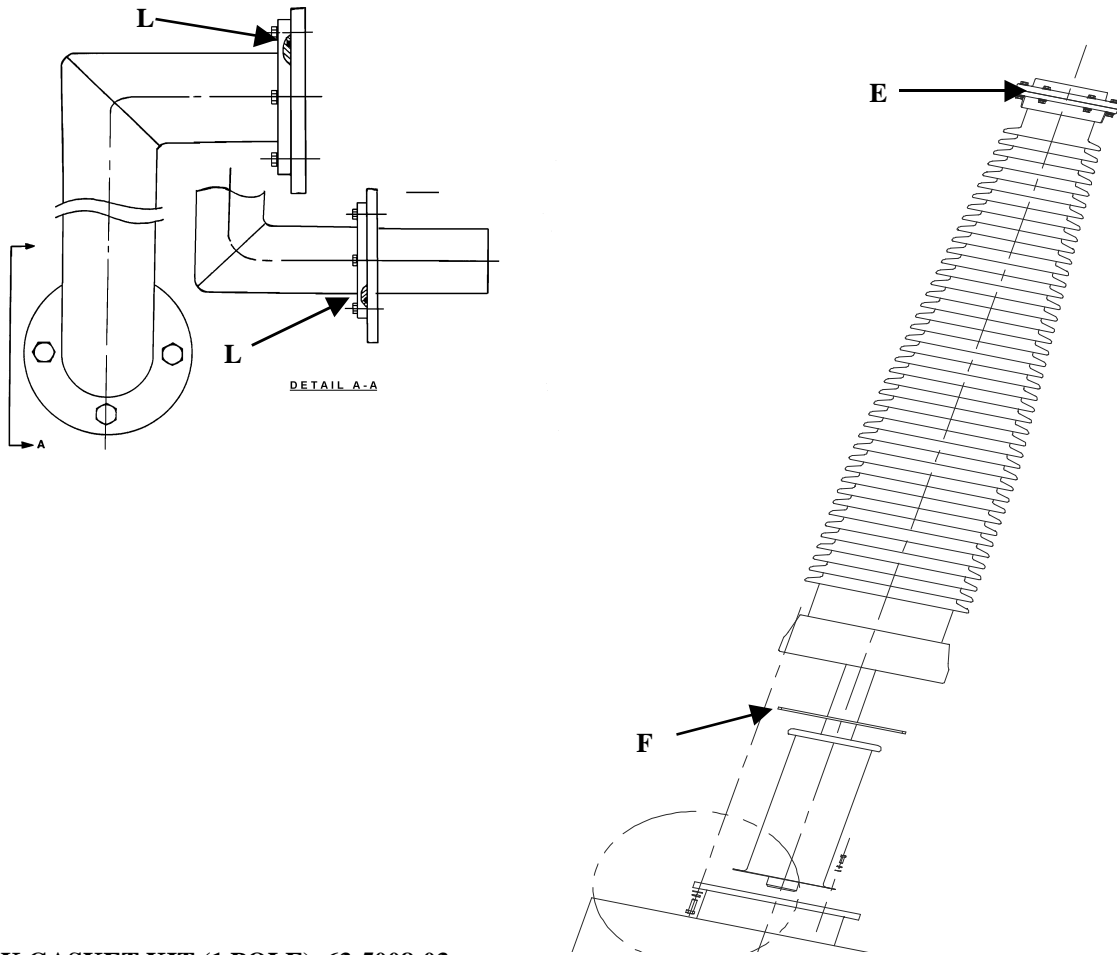
## SECTION CONTENTS

◆ Gas Tank Gasket Kit .....	147 & 148
◆ Desiccant Kit.....	149
◆ Interrupter Repair Kit.....	150
◆ Rotating Seal Kit.....	151
◆ Pilot/Charging Valve Kit.....	152
◆ Dashpot Gasket Kit.....	153

# Gas Tank Gasket Kit



362 kV

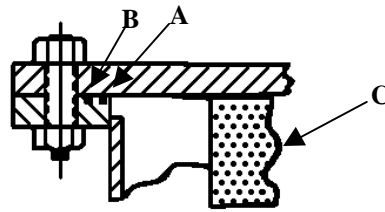


TANK GASKET KIT (1 POLE), 63-5008-03

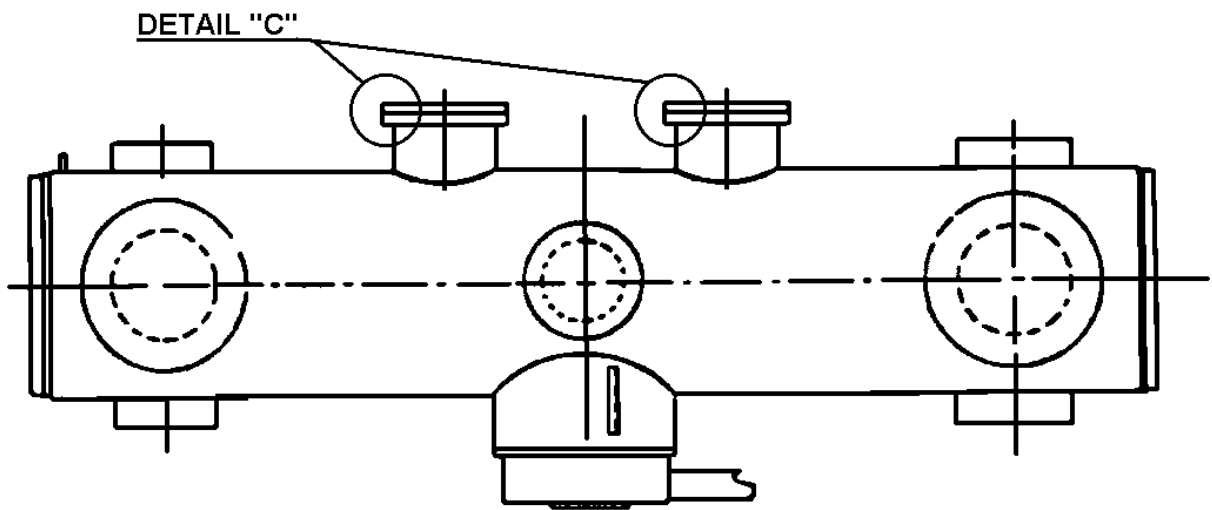
ITEM	QTY	HVB PART NUMBER	DESCRIPTION
A	2	01-0075-00	O-RING-ENDCOVER (A)
B	2	01-0076-00	O-RING-ENDCOVER (A)
C	1	01-0033-00	O-RING-CRANKCASE HANDHOLE
D	1	01-0032-00	O-RING-CRANKCASE HANDHOLE
E	2	01-1034-00	GASKET-BUSHING UPPER END
F	2	01-1037-00	GASKET-BUSHING LOWER END
G	2	01-0016-00	O-RING-INSPECTION PORT(B&F)
H	2	01-0017-00	O-RING-INSPECTION PORT(B&F)
I	2	01-0021-00	O-RING-DESICCANT PORT
J	2	01-0022-00	O-RING-DESICCANT PORT
K	1	01-0020-00	O-RING MECHANISM PORT
L	2	01-0014-00	O-RING-AIR PIPE
M	1	01-0008-00	O-RING-EMERGENCY RELIEF VALVE

362 KV

### Desiccant Kit



**DETAIL "C"**

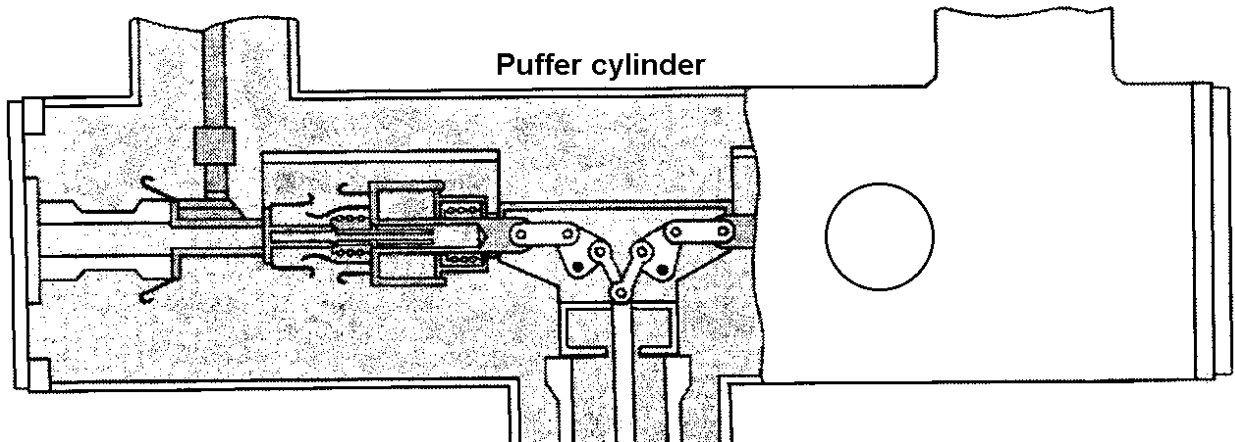
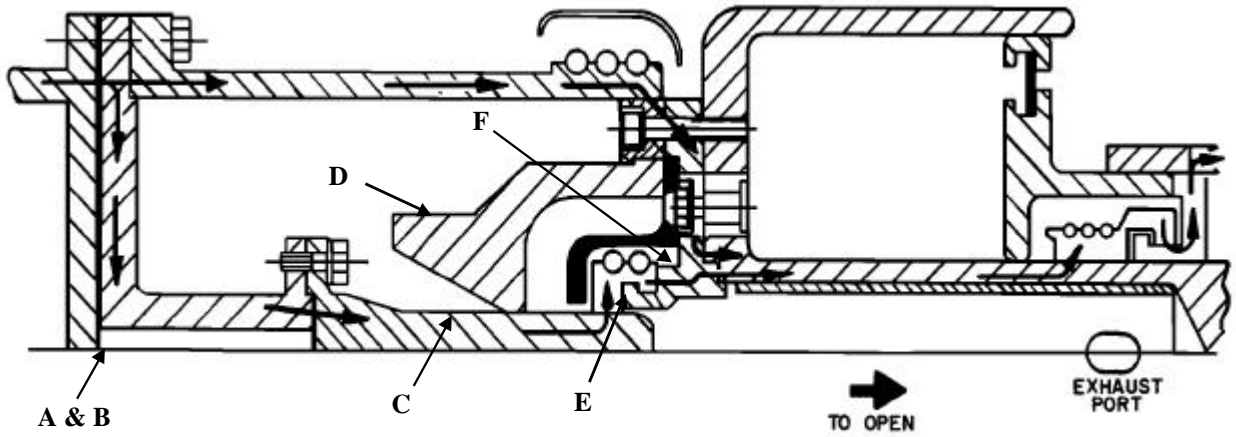


**DESICCANT KIT (1 POLE), 63-5014-05**

ITEM	QTY	HVB PART NUMBER	DESCRIPTION
A	2	01-0021-00	O-RING INSPECTION PORT
B	2	01-0022-00	O-RING INSPECTION PORT
C	4	05-0091-00	DESICCANT (2.5LB BAGS)

362 kV

### Interrupter Repair Kit

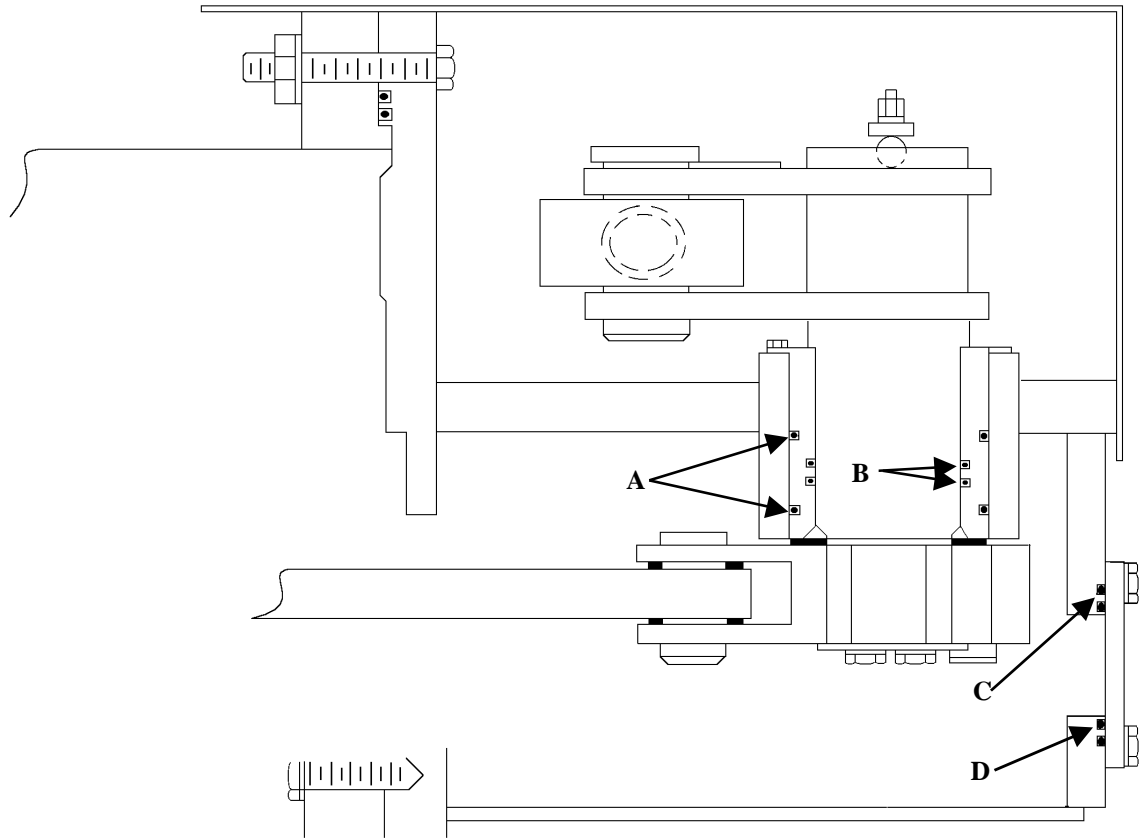


INTERRUPTER REPAIR KIT(1 POLE), 63-4017-00

ITEM	QTY	HVB PART NUMBER	DESCRIPTION
A	4	01-2006-00	SHIM 0.04" THICK
B	4	01-2008-00	SHIM 0.079" THICK
C	2	23-5017-01	STATIONARY CONTACT
D	2	23-1030-00	TEFLON NOZZLE
E	2	23-4002-00	TEFLON COVER
F	2	23-4026-00	MOVING CONTACT SEGMENTS

362 KV

### Rotating Seal Kit

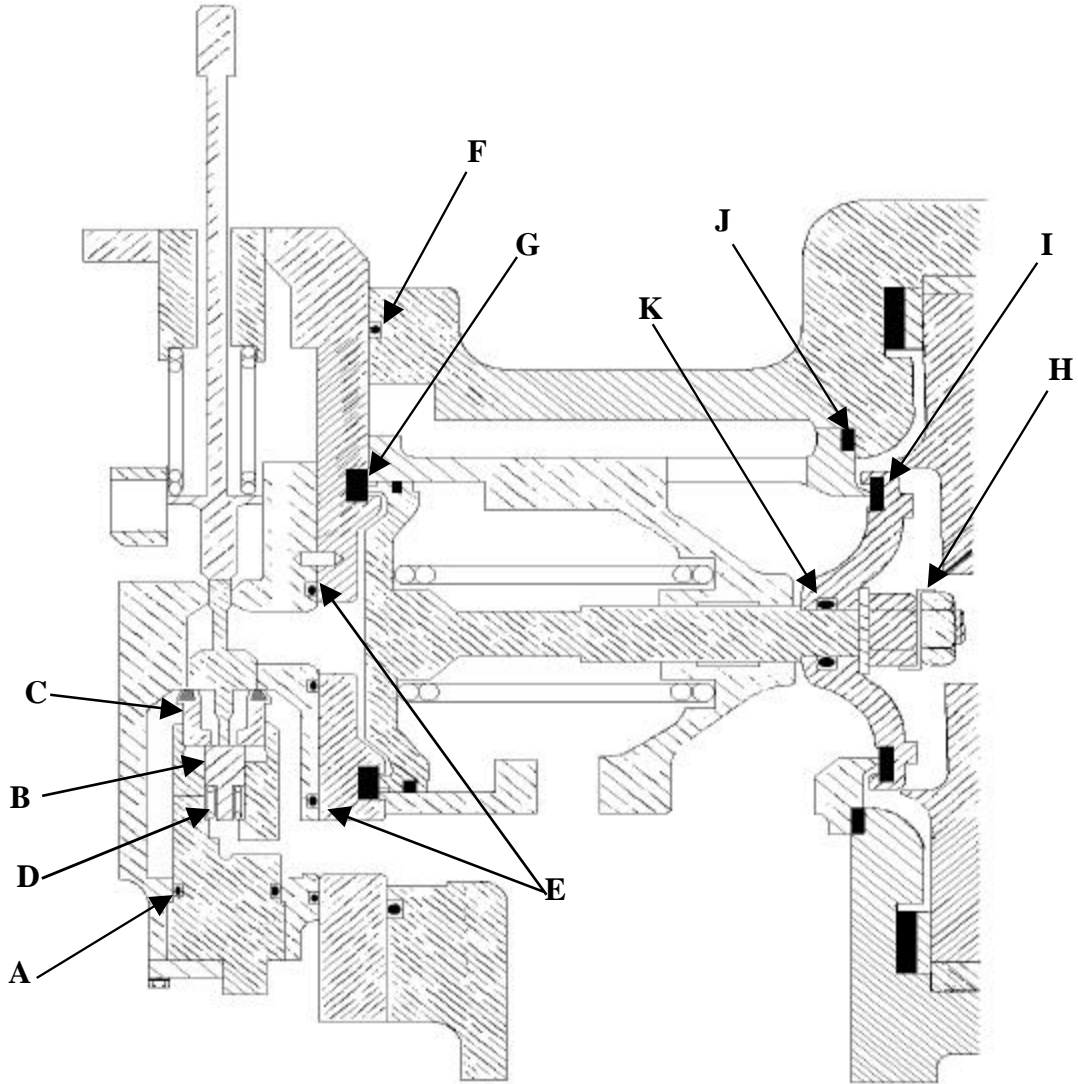


362 kV

**ROTATING SEAL KIT (1 POLE), 63-5016-02**

ITEM	QTY	HVB PART NUMBER	DESCRIPTION
A	2	01-0029-00	O-RING
B	2	01-0082-00	O-RING
C	1	01-0033-00	O-RING
D	1	01-0032-00	O-RING

### Pilot/Charging Valve Kit

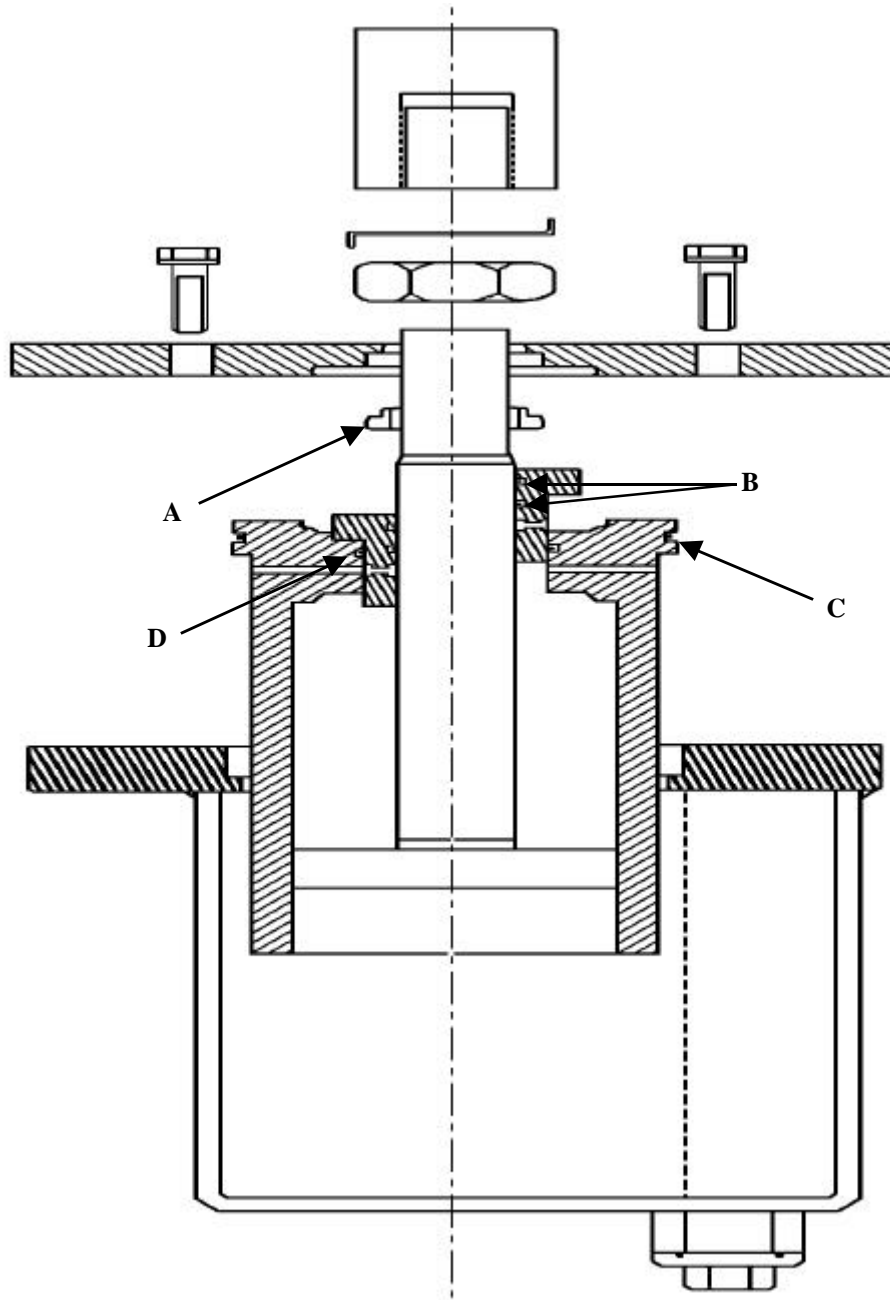


PILOT VALVE KIT (1POLE), 63-5003-00 (A-D)  
 CHARGING VALVE KIT (1POLE), 63-5001-01 (E-K)  
 PILOT/CHARGING VALVE KIT (1 POLE), 63-5009-00 (A-K)

ITEM	QTY	HVB PART NUMBER.	DESCRIPTION
A	1	01-0038-00	O-RING
B	1	25-4004-00	NYLON VALVE
C	1	25-4003-00	PILOT PISTON
D	1	25-5003-00	SPRING
E	2	01-0037-00	O-RING
F	1	01-0036-00	O-RING
G	1	01-1048-00	GASKET
H	1	21-5000-00	LOCKING PLATE
I	1	01-1049-00	GASKET
J	1	01-1050-00	GASKET
K	1	01-0045-00	O-RING

362 KV

### Dashpot Gasket Kit



362 kV

DASPOT GASKET KIT, 63-5002-00

ITEM	QTY	HVB PART NUMBER	DESCRIPTION
A	1	23-4005-00	DUST SEAL
B	2	01-0052-00	O-RING
C	1	01-0027-00	O-RING
D	1	01-0088-00	O-RING