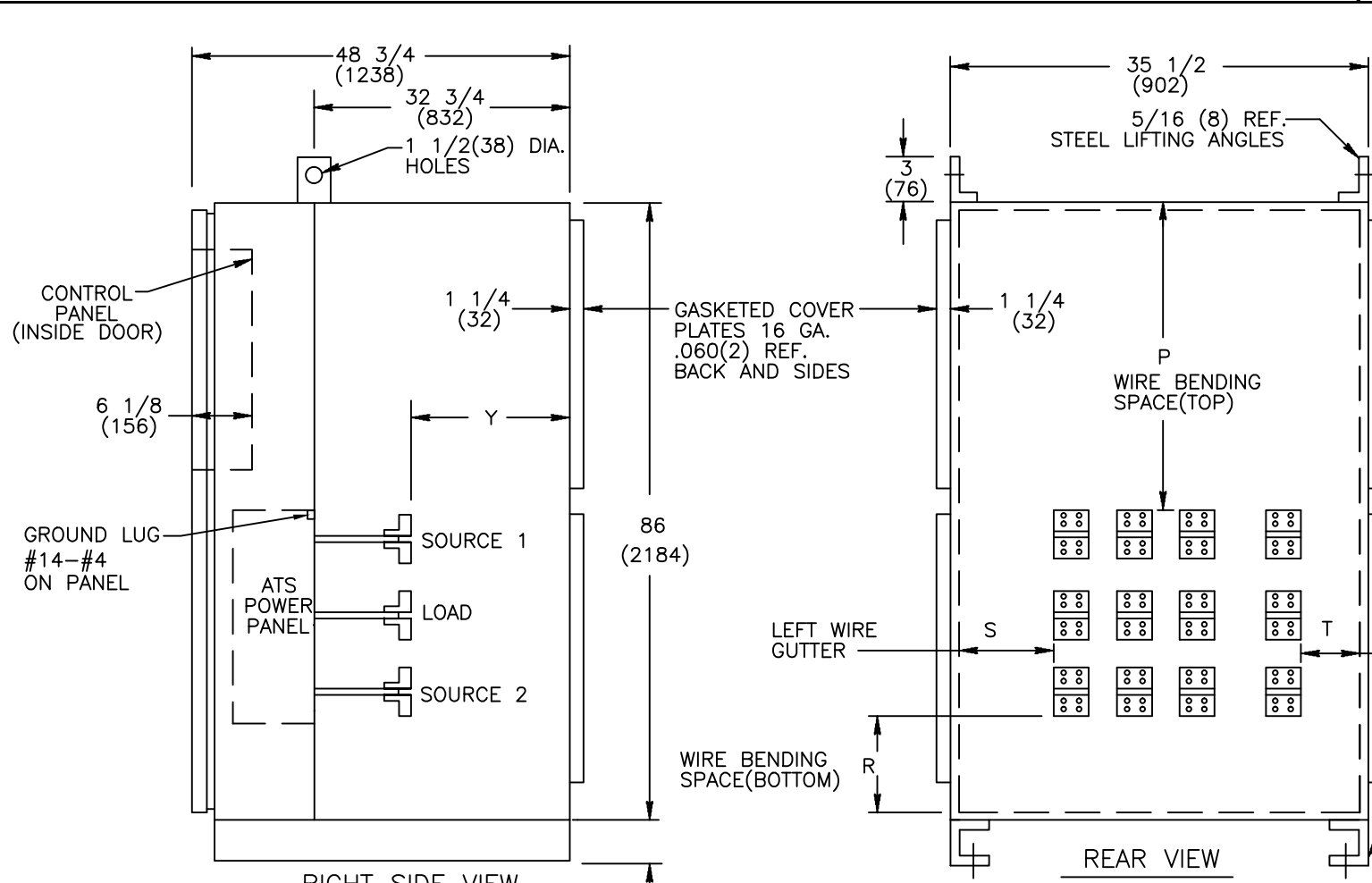


REVISIONS			
REV.	DESCRIPTION	DATE	APPROVED
1	C031728 REVISED DRAWING	08/16/17	YP MAS

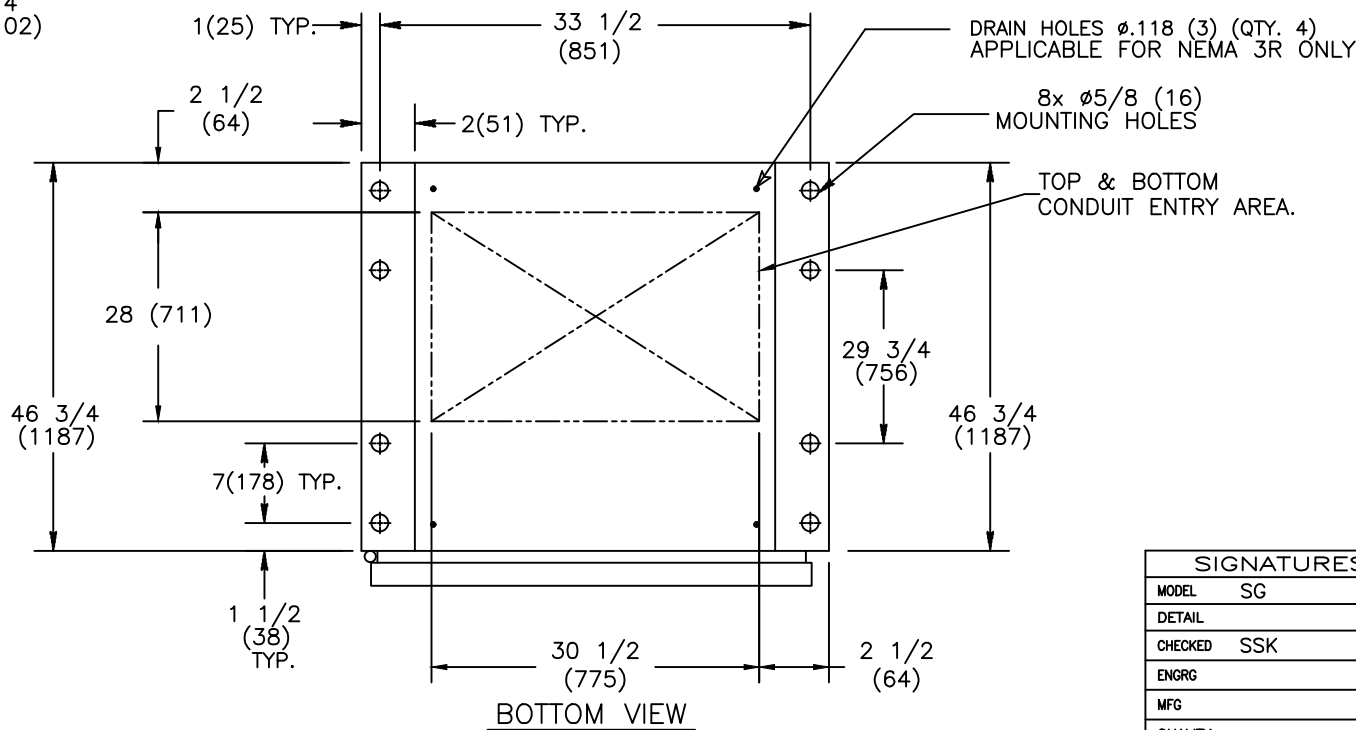


MODEL	AMPERAGE	NO. POLES	MX CONTROLLER TYPE	NEMA CABINET	LUG RANGE	WIRE BENDING SPACE		WIRE GUTTERS		CABINET REAR Y
						P(TOP)	R(BOTTOM)	S(LEFT)	T(RIGHT)	
ZTS(D/CT)	1600-2000	3	MX-250	F-1869MP	(QTY 8) #2-600 MCM (33-304mm <sup>2</sup> )	41 1/8 (1045)	20 1/8 (511)	5 3/4 (146)	17 1/4 (438)	23 5/8 (600)
		4							5 3/4 (146)	
	3000	3		F-1870MPL					17 1/4 (438)	16 1/4 (413)
		4							5 3/4 (146)	

\* 3000A CABINET IS RATED FOR NEMA 3R ONLY

**NOTES:**

1. MATERIAL: 10 GA. .134(3) 1018 HRS REF.
2. FINISH: ANSI 61 GREY
3. ALL CABLE ENTRY IN REAR OF CABINET.
4. WIRING BENDING AND GUTTER SPACES MEASURED AT POINT OF CONNECTION TO LUGS. LUGS ARE SUPPLIED AS OPTION ONLY.
5. ALL DIMENSIONS ARE FOR REFERENCE ONLY AND SHOWN IN INCHES(MILLIMETERS).
6. CONSTRUCTION PER UL 1008
7. FOR SEISMIC MOUNTING, REFER TO SHEET NO.2.
8. 100% RATED SOLID/SWITCH NEUTRAL PROVIDED PER THE SWITCH CONFIGURATION.
9. 3000A CABINET HAS LOUVERS. AND LOUVERS ARE LOCATED ON SIDES AND REAR WALL OF THE CABINET.
10. SUITABLE FOR TOP AND/OR BOTTOM CABLE ENTRY.
11. DOORS ARE AVAILABLE ON SIDE AND REAR FOR CABLE CONNECTIONS.



**IMPORTANT NOTE:**  
LUGS ARE SUPPLIED AS OPTIONAL ACCESSORY ONLY. TYPICAL CONFIGURATION SHOWN FOR REFERENCE ONLY.  
ON 3000 AMP SWITCH LUGS ARE ORIENTED VERTICALLY. REQUIRED LUG ADAPTORS.

SIGNATURES		DATE
MODEL	SG	02/05/01
DETAIL		
CHECKED	SSK	10/03/00
ENGRG		
MFG		
QUALITY		
ISSUED		

**GE Zenith Controls**

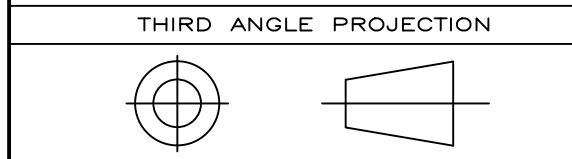
TITLE: 1600-3000A ATS LAYOUT  
NEMA 3R, 4 & 12 ENCLOSURES

FIRST MADE FOR: FOR ZTS(D/CT) 1600-3000A ATS

DRAWING FILE: 50c-1006-1  
MODEL / ASSEMBLY FILE: ZTS(D/CT) 1600-3000 AMP

SIZE: B  
CAGE CODE: B  
DWG NO: 50C-1006

SCALE: N/A  
SHEET: 1 OF 2



GE PROPRIETARY AND CONFIDENTIAL INFORMATION

This document is the property of General Electric Company ("GE") and contains proprietary information of GE. This document is loaned on the express condition that neither it nor the information contained therein shall be disclosed to others without the express written consent of GE Industrial Systems, and that the information shall be used by the recipient only as approved expressly by GE Industrial Systems. This document shall be returned to GE upon its request. This document may be subject to certain restrictions under U.S. export control laws and regulations.

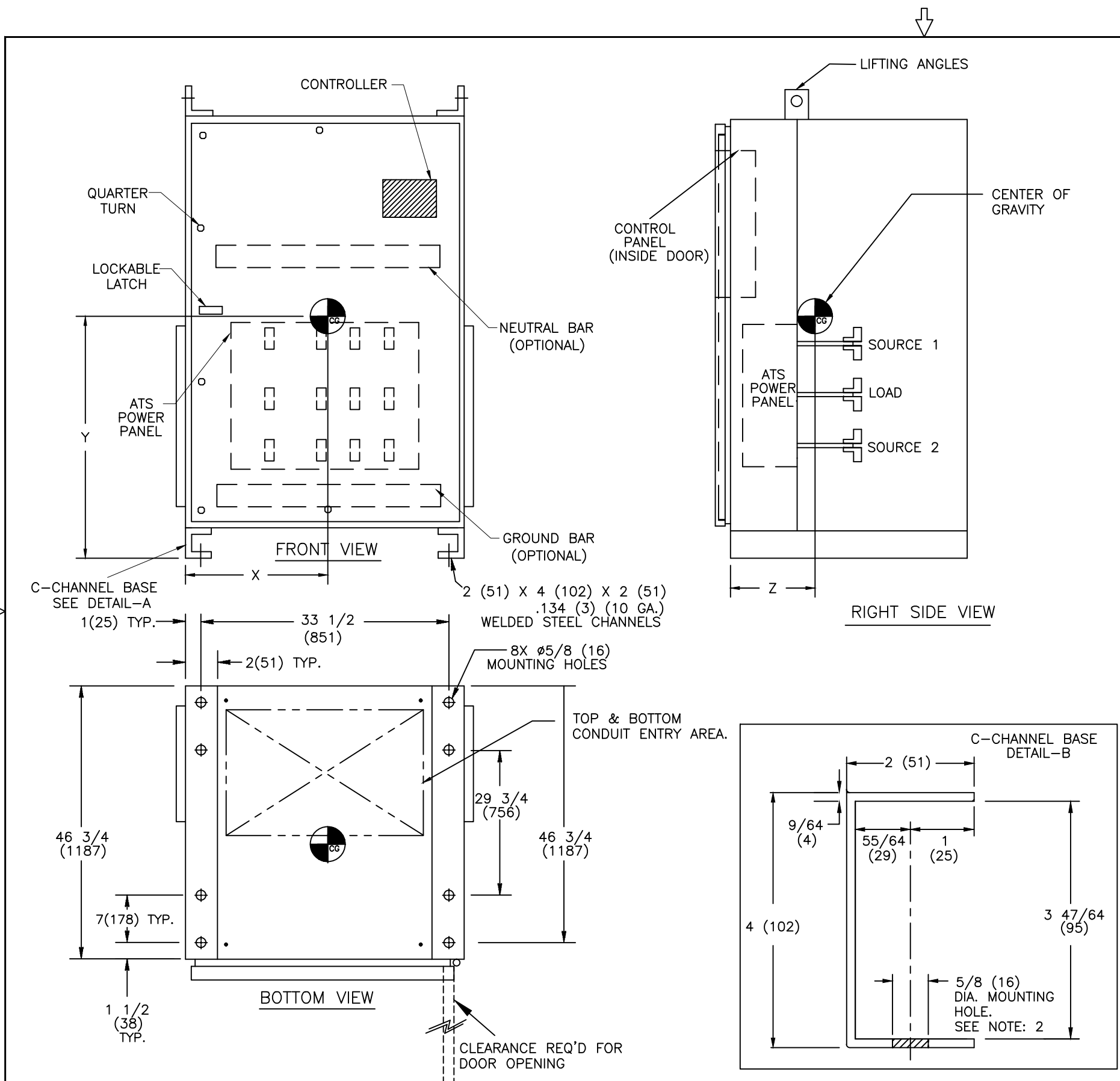
AutoCad Generated

# CTQs: 1  
CRITICAL TO QUALITY CHARACTERISTIC

REVISIONS			
REV.	DESCRIPTION	DATE	APPROVED
1	C031728 REVISED DRAWING	08/24/17	GG YP

**NOTES:**

- ALL DIMENSIONS ARE FOR REFERENCE ONLY AND SHOWN IN INCHES (MILLIMETERS).
- BOLT ENCLOSURE FROM C-CHANNEL BASE (SEE DETAIL B) USING THE FOLLOWING SEISMIC CERTIFIED MOUNTING HARDWARE PER MOUNTING HOLE:  
(HARDWARE PROVIDED BY INSTALLER).  
\* 1/2-13 GRADE 5 BOLT TORQUE TO 70 FT-LBS. (95 NEWTON METERS).  
\* 1/2-13 STANDARD FLAT WASHER  
\* 1/2 (13) HELICAL SPRING LOCK WASHER.
- CENTER OF GRAVITY DIMENSIONS ARE FOR REFERENCE ONLY.
- FOR WORKING CLEARANCE REFER TO NATIONAL AND LOCAL CODES AND STANDARDS.



AMP	POLE	WEIGHT	CENTER OF GRAVITY in(mm)		
		LB(kg)	X	Y	Z
1600-2000	3	1060(481)	18.0 (457)	40.0 (1016)	14.0 (356)
	4	1210(549)			
3000	3	1180(535)	19.0 (482)	42.0 (1067)	15.0 (381)
	4	1446(656)			

SIGNATURES	DATE
MODEL SG	01/15/08
CHECKED SSK	01/15/08
ENGRG	
MFG	
QUALITY	
ISSUED	
DRAWING FILE: 50c-1006-1.dwg.	SIZE B
MODEL / ASSEMBLY FILE: ZTS(D/CT) 1600-3000 AMP	CAGE CODE
# CTQs	CRITICAL TO QUALITY CHARACTERISTIC

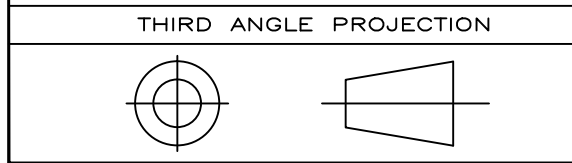
**GE Zenith Controls**

TITLE: NEMA 3R,4&12 ENCLOSURE SEISMIC MOUNTING DETAILS

FIRST MADE FOR: ZTS(D/CT) 1600-3000 AMP NEMA -3R,4,12

50-1006

SCALE: N/A SHEET 2 OF 2



GE PROPRIETARY AND CONFIDENTIAL INFORMATION

This document is the property of General Electric Company ("GE") and contains proprietary information of GE. This document is loaned on the express condition that neither it nor the information contained therein shall be disclosed to others without the express written consent of GE Industrial Systems, and that the information shall be used by the recipient only as approved expressly by GE Industrial Systems. This document shall be returned to GE upon its request. This document may be subject to certain restrictions under U.S. export control laws and regulations.

AutoCad Generated