

**IMPORTANT NOTE:**  
LUGS ARE SUPPLIED AS OPTIONAL ACCESSORY ONLY. SHOWN FOR REFERENCE ONLY.

- NOTES:**
1. MATERIAL:  
10 GA. .134(3) 1018 HRS REF.(F-1840MPL)
  2. FINISH: ANSI 61 GREY
  3. ALL CABLE ENTRY IN REAR OF CABINET.
  4. WIRING BENDING AND GUTTER SPACES MEASURED AT POINT OF CONNECTION TO LUGS. LUGS ARE SUPPLIED AS OPTION ONLY.
  5. ALL DIMENSIONS ARE FOR REFERENCE ONLY AND SHOWN IN INCHES(MILLIMETERS).
  6. ALL SIDE AND REAR DOOR/PANELS SHALL HAVE GUTTER AND KNIFE EDGE FLANGES, AND HAVE HINGES ON THE RIGHT HAND SIDE.
  7. CONSTRUCTION PER UL 1008
  8. FOR SEISMIC MOUNTING, REFER TO SHEET NO.2.

REVISIONS			
REV.	DESCRIPTION	DATE	APPROVED
J	77255066 UPDATED CABINET VIEW	11/27/12	LK YP

MODEL	AMPERAGE	NEMA CABINET	POLES
ZTS(D/CT)	4000 AMP	F-1871MPL	3,4

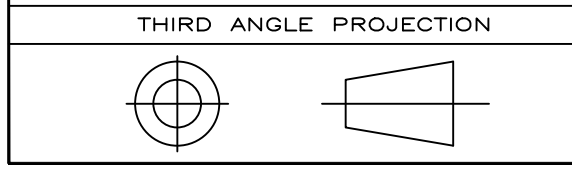
SIGNATURES		DATE
MODEL	SG	02/05/01
DETAIL		
CHECKED		
ENGRG		
MFG		
QUALITY		
ISSUED		
DRAWING FILE:	50c-1020-j-1.dwg	
MODEL / ASSEMBLY FILE:	ZTS(D/CT) 4000 AMP	
# CTQs	⊖	CRITICAL TO QUALITY CHARACTERISTIC

**GE Zenith Controls**

TITLE: TRANSFER SWITCHES NEMA 3R ENCLOSURE

FIRST MADE FOR: SIZE B CAGE CODE DWG NO 50C-1020

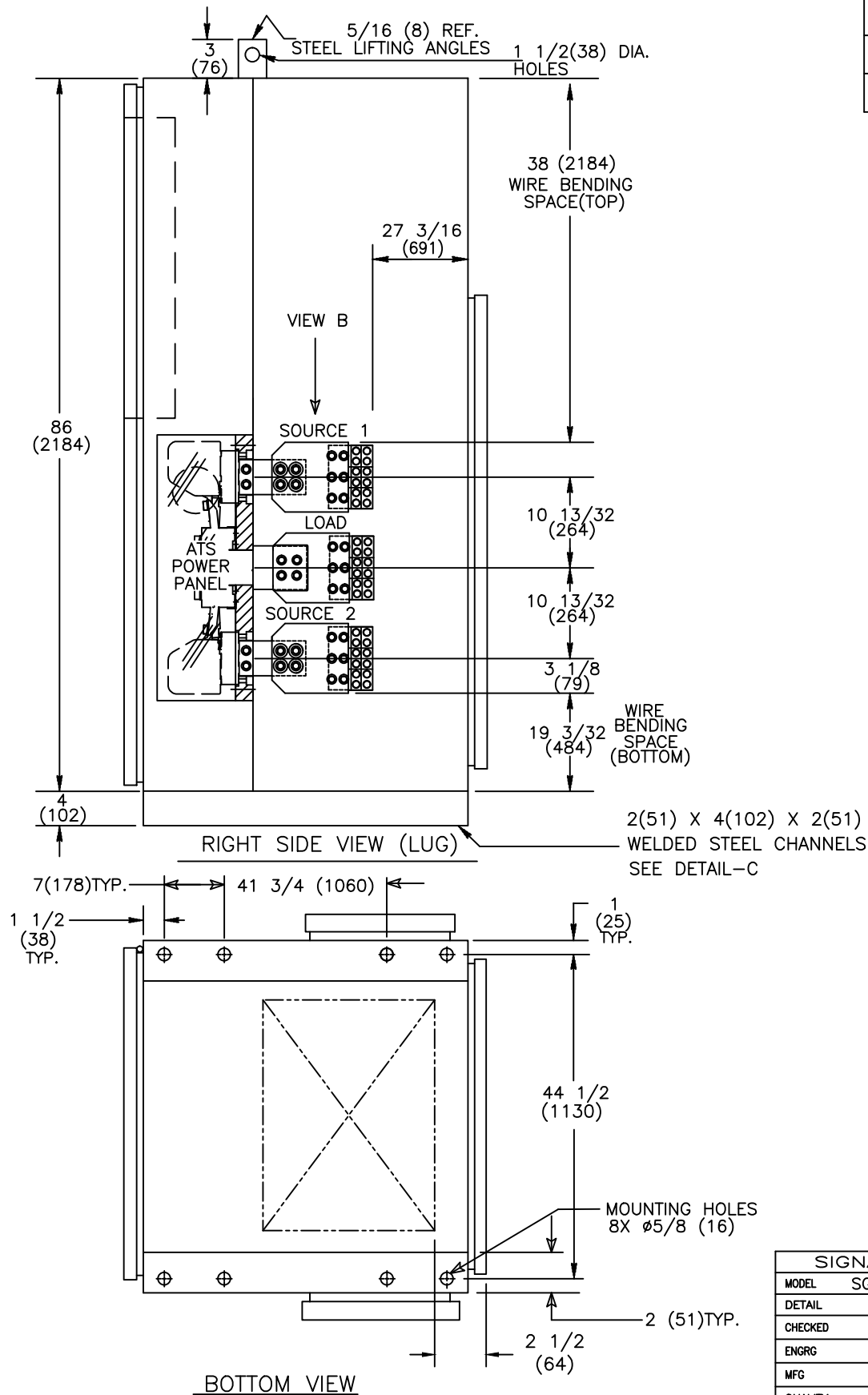
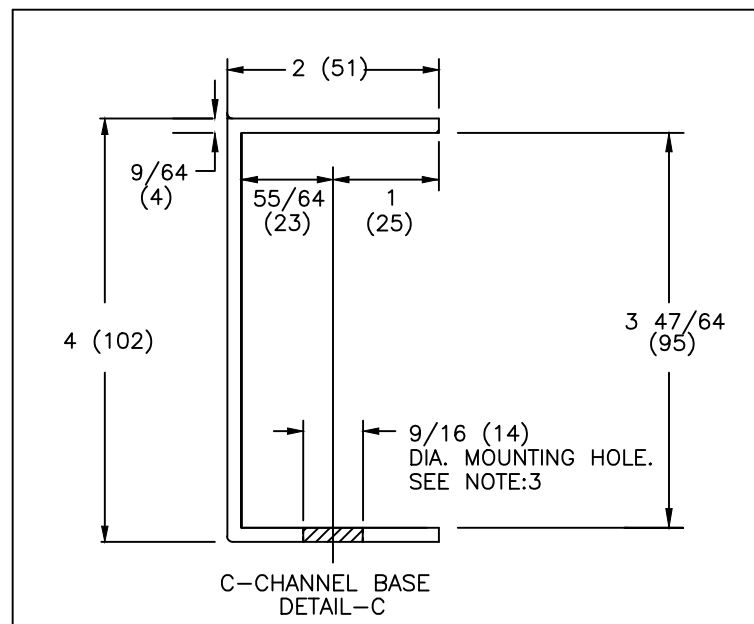
SCALE: N/A SHEET 1 OF 2



GE PROPRIETARY AND CONFIDENTIAL INFORMATION

This document is the property of General Electric Company ("GE") and contains proprietary information of GE. This document is loaned on the express condition that neither it nor the information contained therein shall be disclosed to others without the express written consent of GE Industrial Systems, and that the information shall be used by the recipient only as approved expressly by GE Industrial Systems. This document shall be returned to GE upon its request. This document may be subject to certain restrictions under U.S. export control laws and regulations.

AutoCad Generated



REVISIONS			
REV.	DESCRIPTION	DATE	APPROVED
J	77255066 UPDATED SHEET 1	11/27/12	LK YP

NOTES:

- ALL DIMENSIONS ARE FOR REFERENCE ONLY AND SHOWN IN INCHES (MILLIMETERS).
- SEISMIC DATA OF MOST VULNERABLE ATS CONSTRUCTION WITHIN ITS PLATFORM:

MAXIMUM DEFLECTION AT TOP OF GEAR: dss=0.69 INCHES (18 mm) dfb=0.21 INCHES (5 mm)
QUALIFIED BY: TIME HISTORY SHAKE TABLE TEST IEEE-693-2005-HIGHx2.5 (64 mm) IBC-2003-300%G
RESONANCE FREQUENCIES: fss=10.9 Hz ffb=19.5 Hz fv>>33.0 Hz
MAXIMUM REACTION TO ANY BOLT: Vss=945 LBS (430 KG) SHEAR (DEAD LOAD +/- SEISMIC) Vfb=945 LBS (430 KG) SHEAR Tv=1872 LBS (851 KG) UP Pv=2613 LBS (1188 KG) DOWN

- BOLT ENCLOSURE FROM C-CHANNEL BASE (SEE DETAIL C) USING THE FOLLOWING SEISMIC CERTIFIED MOUNTING HARDWARE PER MOUNTING HOLE:  
(HARDWARE PROVIDED BY INSTALLER).
  - 1/2-13 GRADE 5 BOLT TORQUE TO 15 FT-LBS. (95 NEWTON METERS).
  - US STANDARD HIGH STRENGTH ZINC-PLATED FLAT WASHER 5/8 (16) I.D. AND 1-1/2 (38) O.D.
  - 1/2 (13) HELICAL SPRING LOCK WASHER.

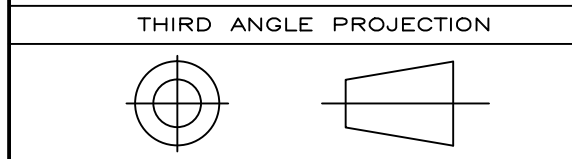
SIGNATURES		DATE
MODEL	SG	02/05/01
DETAIL		
CHECKED		
ENGRG		
MFG		
QUALITY		
ISSUED		
DRAWING FILE:	50c-1020-j-1.dwg	
MODEL / ASSEMBLY FILE:	ZTS(D/CT) 4000 AMP	
# CTQs	⊖	CRITICAL TO QUALITY CHARACTERISTIC

**GE Zenith Controls**

TITLE: NEMA 3R ENCLOSURE SEISMIC MOUNTING DETAILS

FIRST MADE FOR: SIZE B CAGE CODE DWG NO 50C-1020

SCALE: N/A SHEET 2 OF 2



GE PROPRIETARY AND CONFIDENTIAL INFORMATION

This document is the property of General Electric Company ("GE") and contains proprietary information of GE. This document is loaned on the express condition that neither it nor the information contained therein shall be disclosed to others without the express written consent of GE Industrial Systems, and that the information shall be used by the recipient only as approved expressly by GE Industrial Systems. This document shall be returned to GE upon its request. This document may be subject to certain restrictions under U.S. export control laws and regulations.

AutoCad Generated