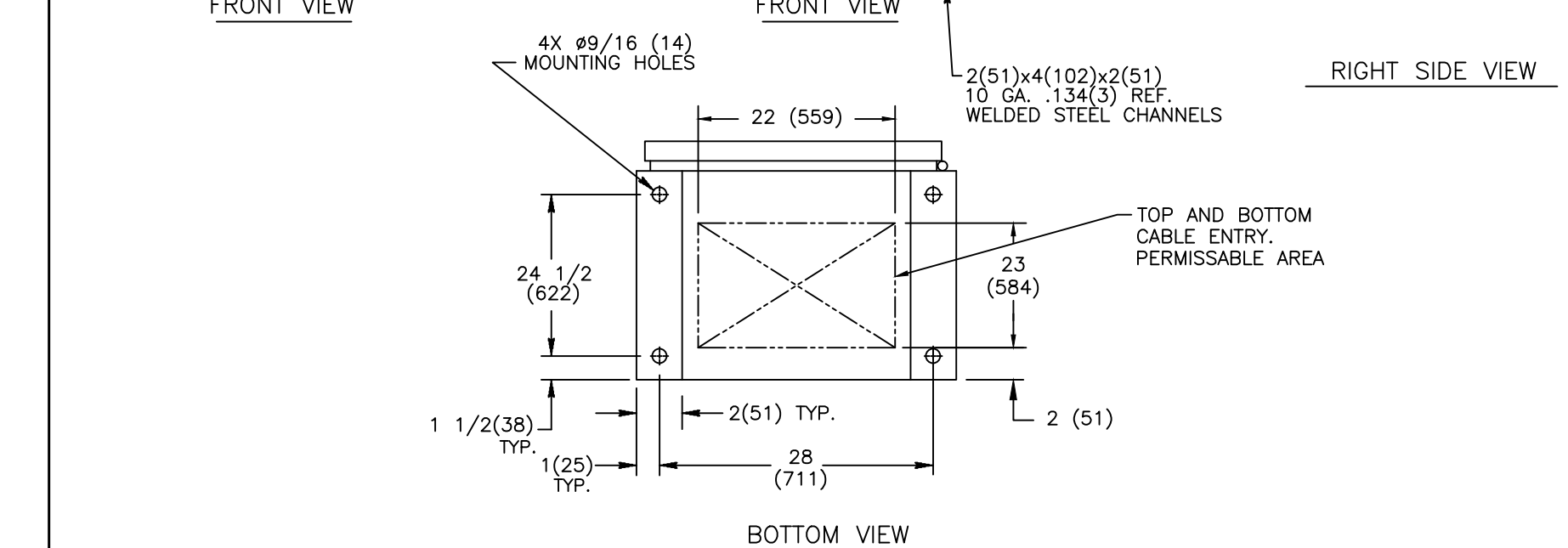
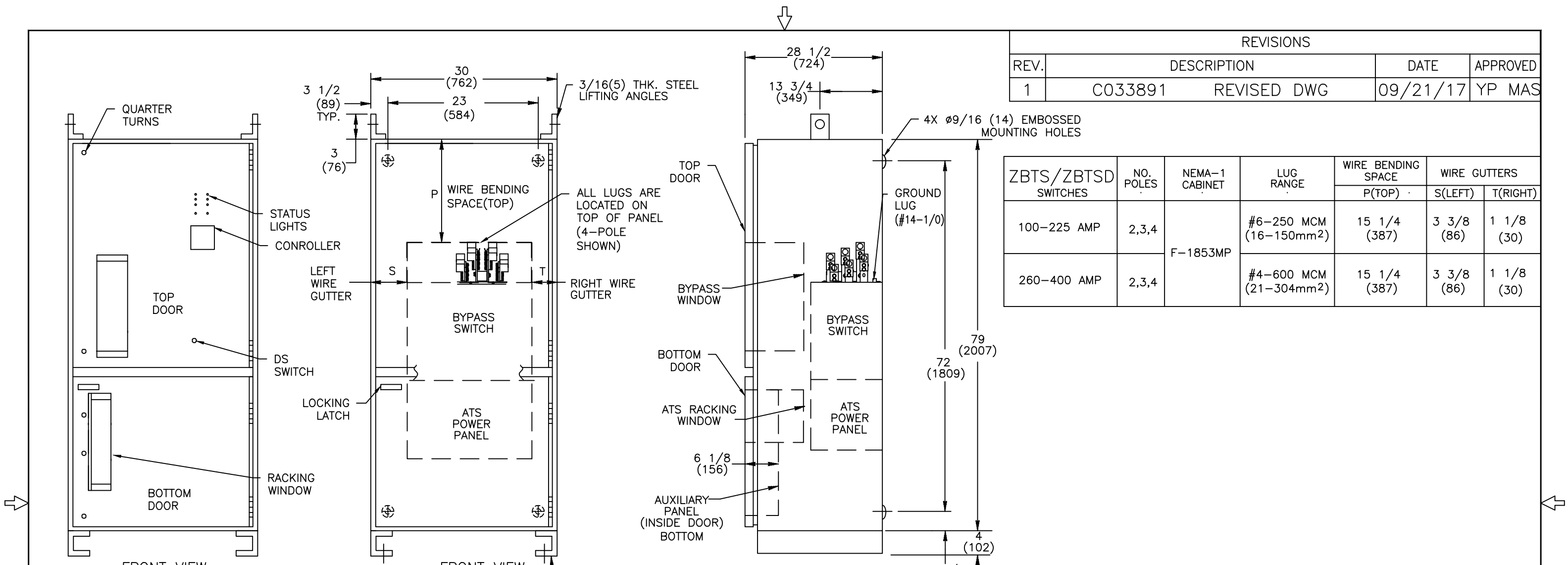


REVISIONS			
REV.	DESCRIPTION	DATE	APPROVED
1	C033891 REVISED DWG	09/21/17	YP MAS

ZBTS/ZBTSD SWITCHES	NO. POLES	NEMA-1 CABINET	LUG RANGE	WIRE BENDING SPACE		
				P(TOP)	S(LEFT)	T(RIGHT)
100-225 AMP	2,3,4	F-1853MP	#6-250 MCM (16-150mm ²)	15 1/4 (387)	3 3/8 (86)	1 1/8 (30)
260-400 AMP	2,3,4		#4-600 MCM (21-304mm ²)	15 1/4 (387)	3 3/8 (86)	1 1/8 (30)



- NOTES:**
1. MATERIAL: 10 GA. (.134) REF. 1018 HRS
 2. FINISH: ANSI 61 GRAY
 3. FREE STANDING. FLOOR MOUNT CABINET. ALL DIMENSIONS ARE FOR REFERENCE ONLY. SHOWN IN INCHES (MILLIMETER)
 4. CONSTRUCTION PER UL 1008 STANDARD.
 5. SWITCH SUPPLY WITH STANDARD MECHANICAL LUG, RATED FOR AL&CU CABLES. (COMPRESSION LUGS ARE AVAILABLE AS AN OPTION.)
 6. SWITCH IS DESIGNED FOR BOTH TOP AND BOTTOM CABLE ENTRY.
 7. SWITCH CONFIGURATION: LOAD, NORMAL AND EMERGENCY LUGS ARE LOCATED ON TOP OF THE ATS PANEL.
 7. 100% RATED SOLID/SWITCH NEUTRAL PROVIDED PER THE SWITCH CONFIGURATION.
 8. FOR SEISMIC MOUNTING, REFER TO SHEET NO.4
 9. REFER LUG TORQUE LABEL FOR TORQUE INFORMATION.

SIGNATURES	DATE
MODEL DF	5/28/03
DETAIL	
CHECKED	
ENGRG CEE	1/26/07
MFG	
QUALITY	
ISSUED	

GE Zenith Controls

TITLE: **ATS LAYOUT - NEMA 1 FOR ZBTS(D) 100-400A**

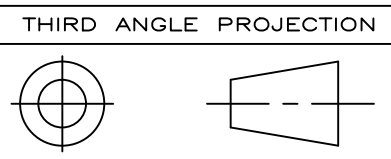
FIRST MADE FOR: -

DRAWING FILE: 50c-1026.dwg	SIZE B	CAGE CODE	DWG NO
MODEL / ASSEMBLY FILE: ZBTS(D) 100-400 AMP	50C-1026		

SCALE: N/A SHEET 1 OF 4

GE PROPRIETARY AND CONFIDENTIAL INFORMATION

This document is the property of General Electric Company ("GE") and contains proprietary information of GE. This document is loaned on the express condition that neither it nor the information contained therein shall be disclosed to others without the express written consent of GE Industrial Systems, and that the information shall be used by the recipient only as approved expressly by GE Industrial Systems. This document shall be returned to GE upon its request. This document may be subject to certain restrictions under U.S. export control laws and regulations.

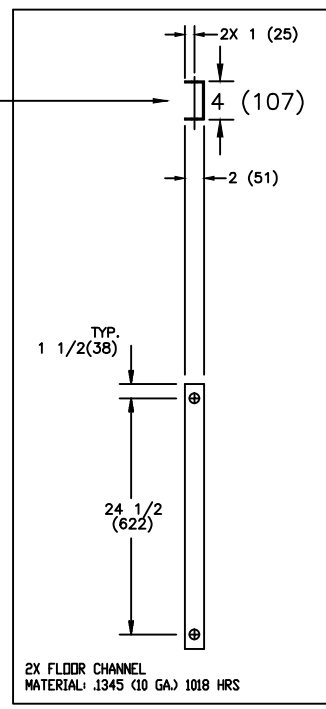
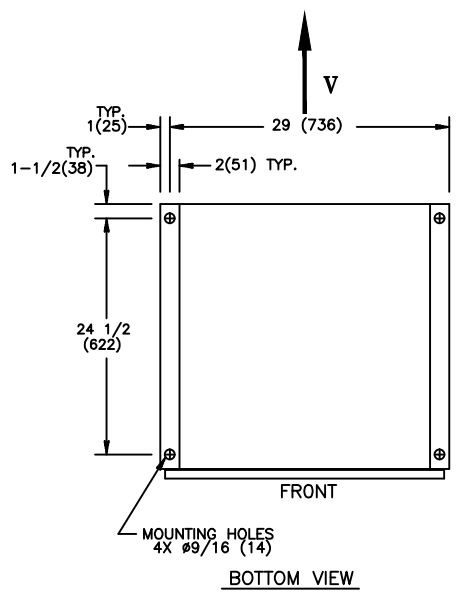
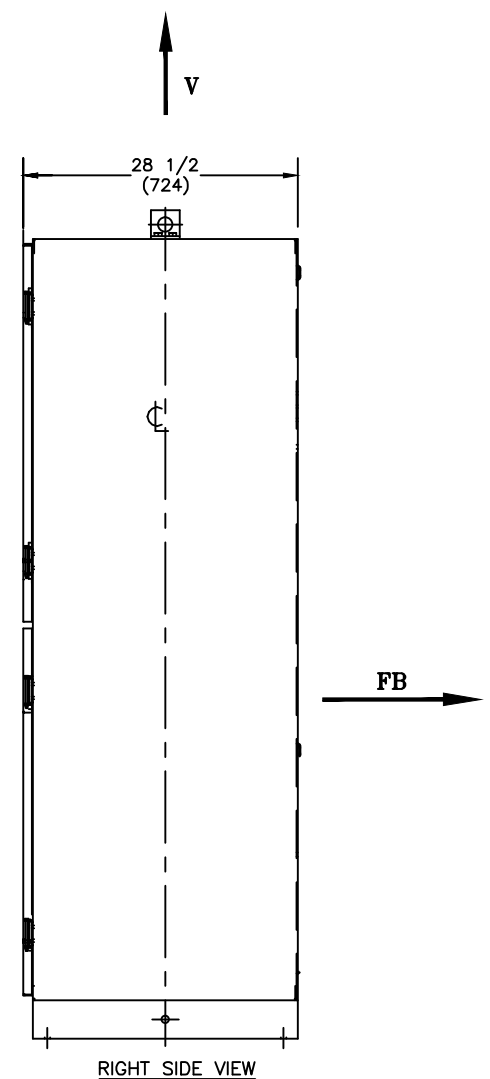
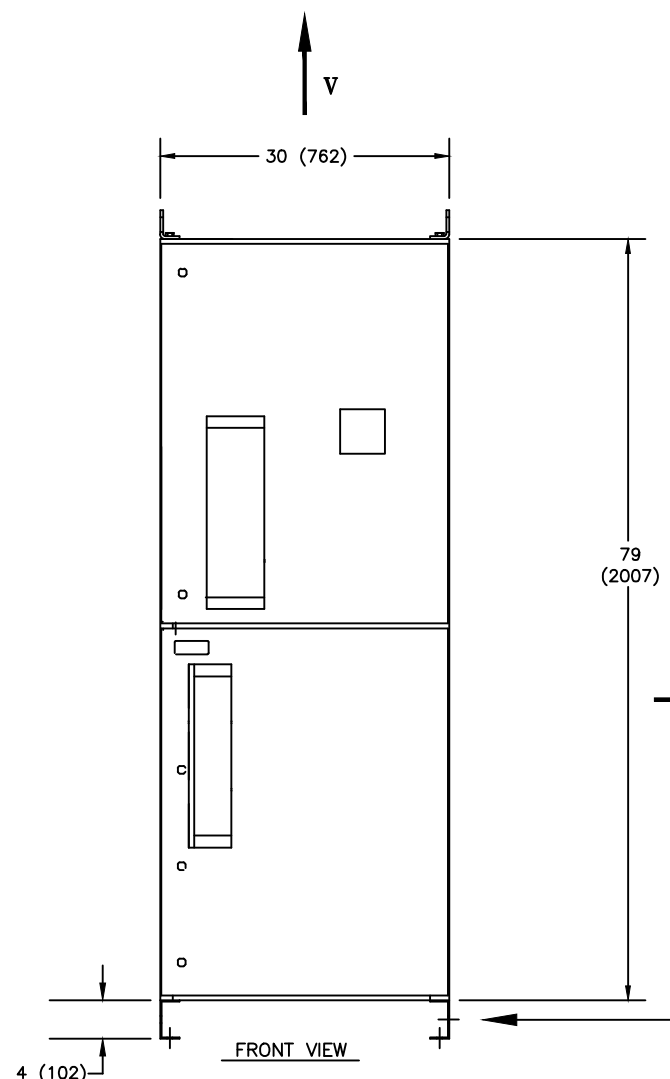


AutoCad Generated

CTQs CRITICAL TO QUALITY CHARACTERISTIC

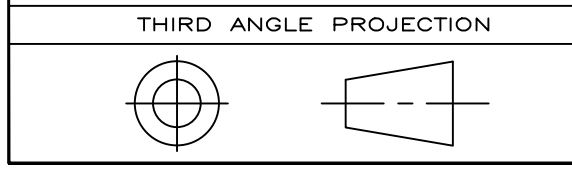
REVISIONS			
REV.	DESCRIPTION	DATE	APPROVED
1	C033891 REVISED DWG	09/21/17	YP MAS

NOTE:
1. FOR SEISMIC MOUNTING, REFER TO SHEET NO.4



SIGNATURES	DATE
MODEL DF	5/28/03
DETAIL	
CHECKED	
ENGRG CEE	1/26/07
MFG	
QUALITY	
ISSUED	
DRAWING FILE: 50c-1026.dwg	SIZE B
MODEL / ASSEMBLY FILE: ZBTS(D) 100-400 AMP	DWG NO 50C-1026
# CTQs	CRITICAL TO QUALITY CHARACTERISTIC

GE Zenith Controls	
TITLE ATS LAYOUT- NEMA-1 FOR ZBTS(D) 100-400A	
FIRST MADE FOR: ZBTS(D) 100-400A	
SCALE: N/A	SHEET 2 OF 4



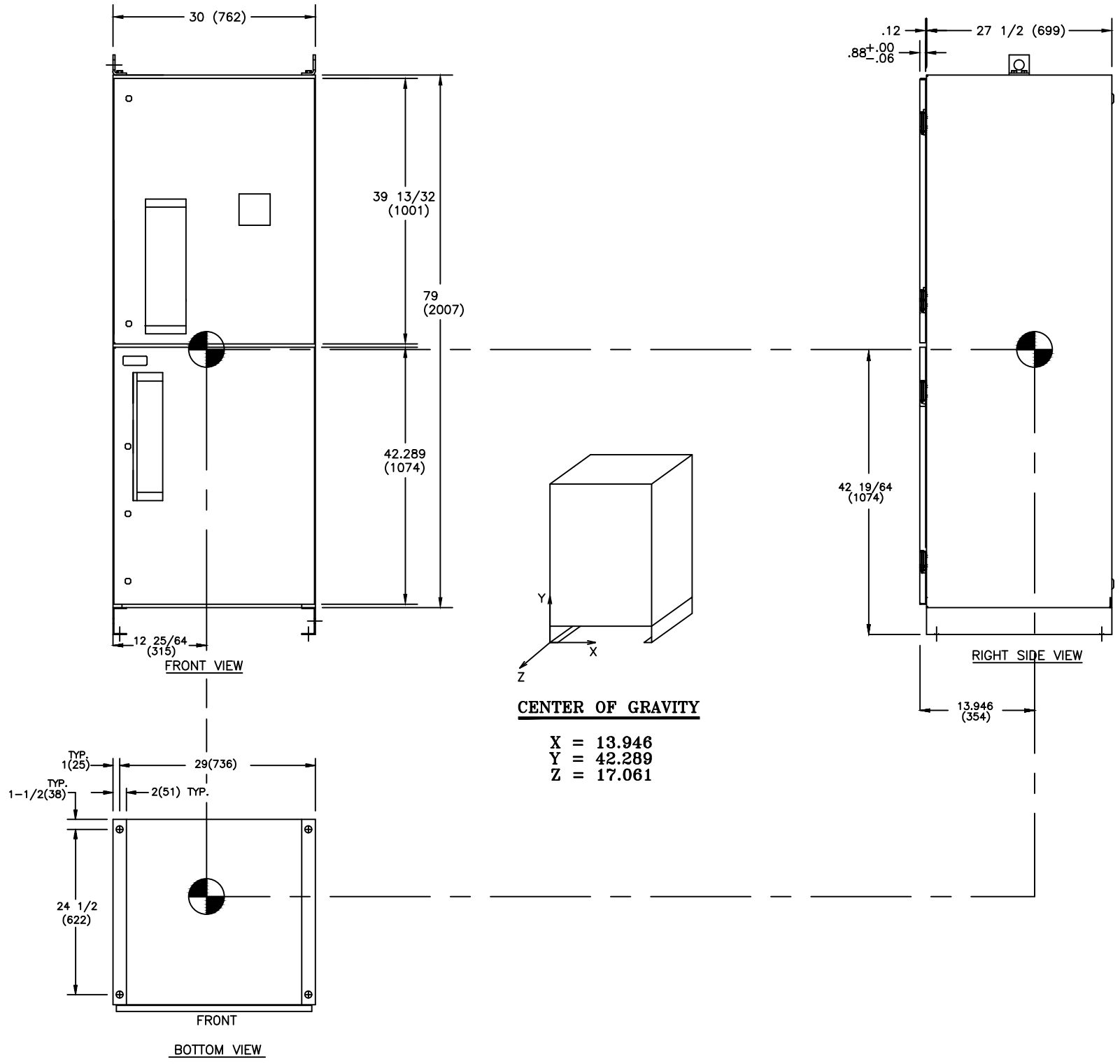
GE PROPRIETARY AND CONFIDENTIAL INFORMATION

This document is the property of General Electric Company ("GE") and contains proprietary information of GE. This document is loaned on the express condition that neither it nor the information contained therein shall be disclosed to others without the express written consent of GE Industrial Systems, and that the information shall be used by the recipient only as approved expressly by GE Industrial Systems. This document shall be returned to GE upon its request. This document may be subject to certain restrictions under U.S. export control laws and regulations.

AutoCad Generated

REVISIONS			
REV.	DESCRIPTION	DATE	APPROVED
1	C033891 REVISED DWG	09/21/17	YP MAS

NOTE:
1. FOR SEISMIC MOUNTING, REFER TO SHEET NO.4



SIGNATURES		DATE			GE Zenith Controls
MODEL DF		5/28/03			
DETAIL				TITLE	
CHECKED				ZBTS(D) 100-400A	
ENGRG CEE		1/26/07		CENTER OF GRAVITY	
MFG				FIRST MADE FOR: -	
QUALITY				SIZE B	CAGE CODE
ISSUED				DWG NO	
DRAWING FILE: 50c-1026.dwg				50C-1026	
MODEL / ASSEMBLY FILE: ZBTS(D) 100-400 AMP					
# CTQs		CRITICAL TO QUALITY CHARACTERISTIC		SCALE: N/A	SHEET 3 OF 4

THIRD ANGLE PROJECTION

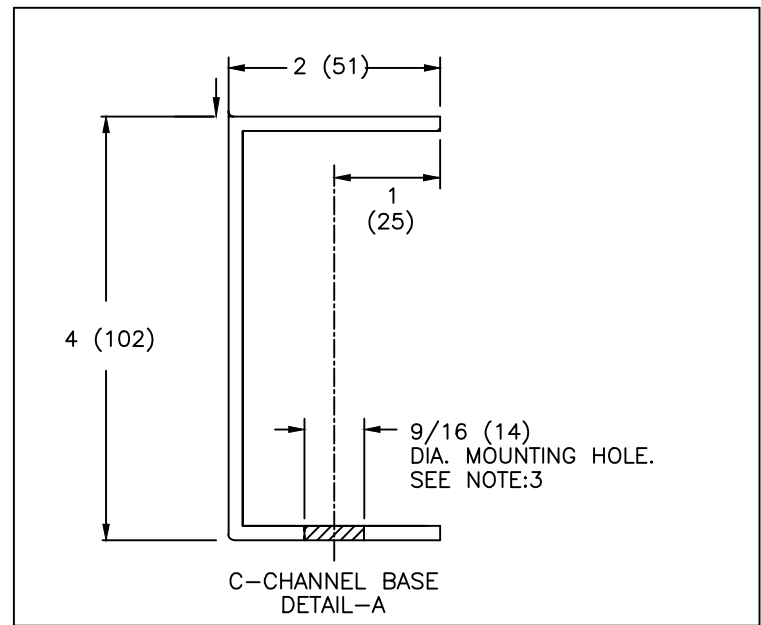
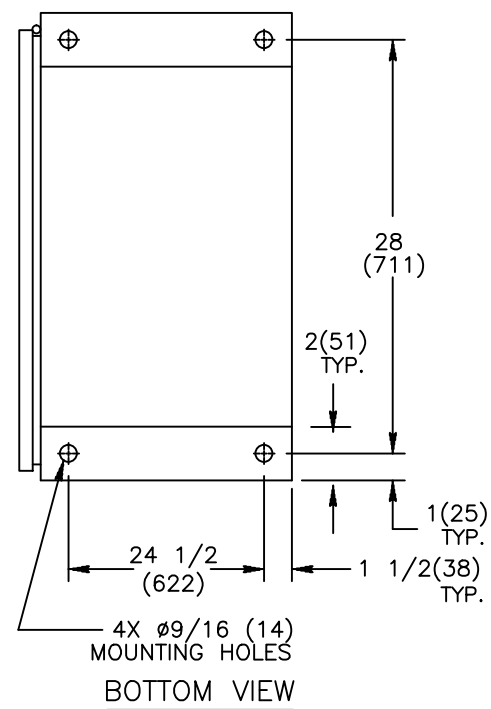
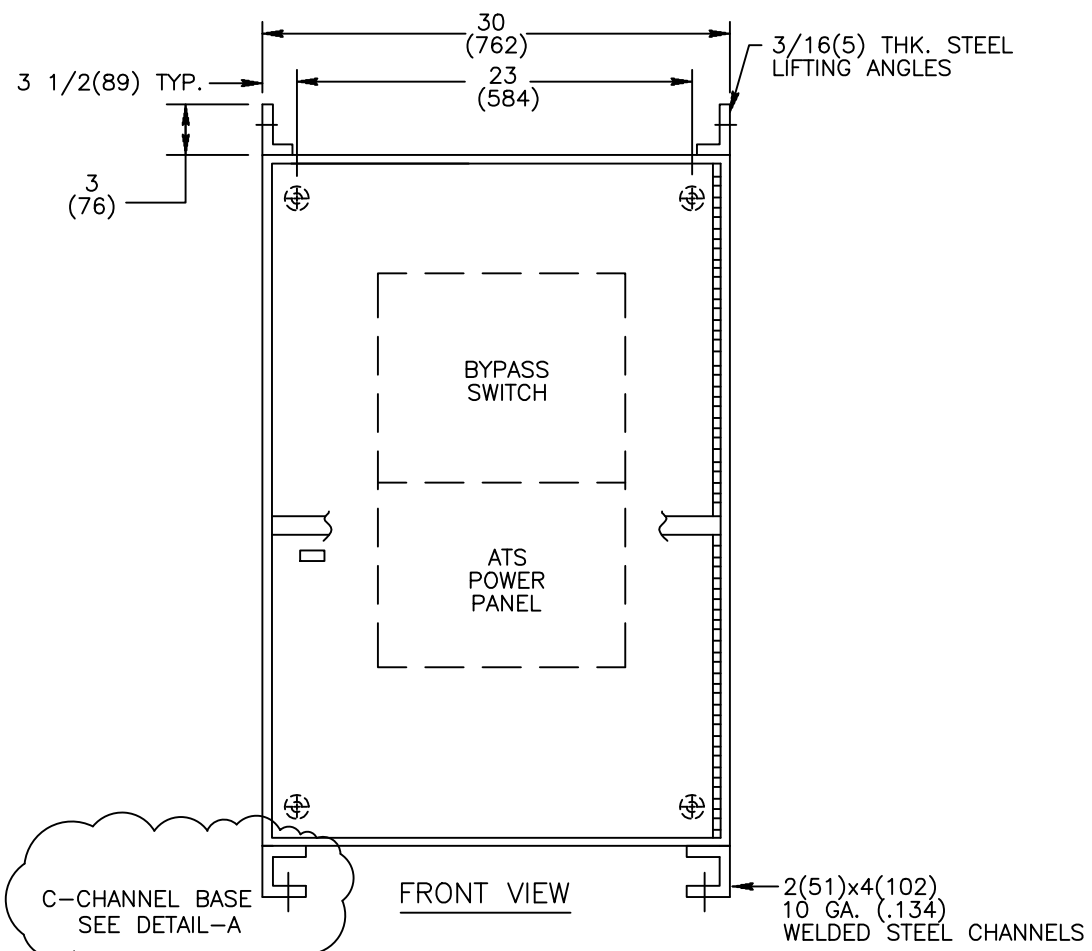
GE PROPRIETARY AND CONFIDENTIAL INFORMATION

This document is the property of General Electric Company ("GE") and contains proprietary information of GE. This document is loaned on the express condition that neither it nor the information contained therein shall be disclosed to others without the express written consent of GE Industrial Systems, and that the information shall be used by the recipient only as approved expressly by GE Industrial Systems. This document shall be returned to GE upon its request. This document may be subject to certain restrictions under U.S. export control laws and regulations.

AutoCad Generated



REVISIONS			
REV.	DESCRIPTION	DATE	APPROVED
1	C033891 REVISED DWG	09/21/17	YP MAS

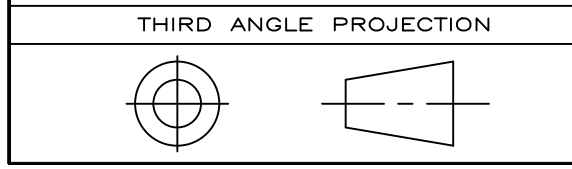


NOTES:

- ALL DIMENSIONS ARE FOR REFERENCE ONLY AND SHOWN IN INCHES (MILLIMETERS).
- BOLT ENCLOSURE FROM C-CHANNEL BASE (SEE DETAIL B) USING THE FOLLOWING SEISMIC CERTIFIED MOUNTING HARDWARE PER MOUNTING HOLE: (HARDWARE PROVIDED BY INSTALLER).
 - * 1/2-13 GRADE 5 BOLT TORQUE TO 75 FT-LBS. (102 NEWTON METERS).
 - * 1/2-13 STANDARD FLAT WASHER
 - * 1/2 (13) HELICAL SPRING LOCK WASHER.
- CENTER OF GRAVITY DIMENSIONS ARE FOR REFERENCE ONLY.
- FOR WORKING CLEARANCE REFER TO NATIONAL AND LOCAL CODES AND STANDARDS.

ZBTS/ZBTSD AMP	POLE	WEIGHT
		LB(kg)
100-400	3	910(413)
	4	1000(454)

SIGNATURES		DATE		GE Zenith Controls TITLE SEISMIC MOUNTING DETAILS FOR ZBTS(D) 100-400A ENCL
MODEL	DF	5/28/03		
DETAIL				
CHECKED				
ENGRG	CEE	1-26-07		
MFG				
QUALITY				
ISSUED				
DRAWING FILE: 50C-1026.dwg		SIZE	CAGE CODE	DWG NO
MODEL / ASSEMBLY FILE: ZBTS(D) 100-400 AMP		B		50C-1026
FIRST MADE FOR: ZBTS(D) 100-400A				
AutoCad Generated	# CTQs	⊖ CRITICAL TO QUALITY CHARACTERISTIC	SCALE: N/A	SHEET 4 OF 4



GE PROPRIETARY AND CONFIDENTIAL INFORMATION

This document is the property of General Electric Company ("GE") and contains proprietary information of GE. This document is loaned on the express condition that neither it nor the information contained therein shall be disclosed to others without the express written consent of GE Industrial Systems, and that the information shall be used by the recipient only as approved expressly by GE Industrial Systems. This document shall be returned to GE upon its request. This document may be subject to certain restrictions under U.S. export control laws and regulations.

