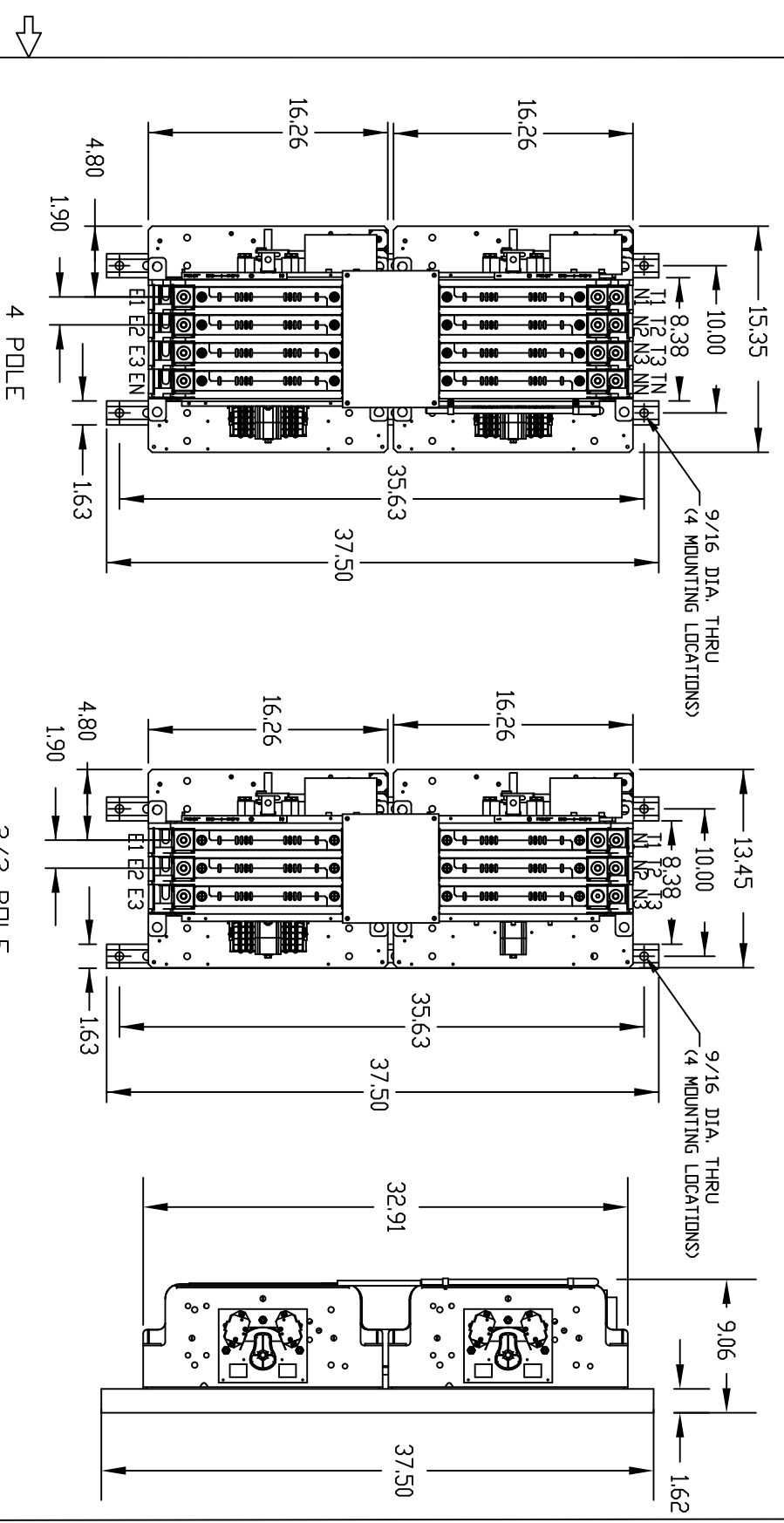


REVISIONS

REV.	DESCRIPTION	DATE	APPROVED
1	C033336 REVISED DRAWING	08/24/17	YP MAS

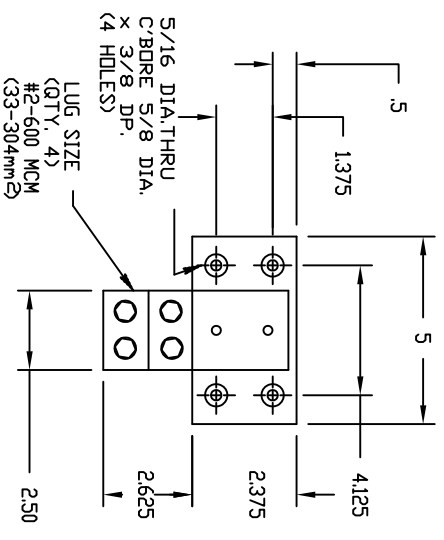


FRONT VIEW

RIGHT SIDE VIEW

VIEW SHOWN: 100-400A ZT SCT W/ MECHANICAL LUGS

100-400 AMP NEUTRAL BAR ASSEMBLY MOUNTING DETAIL

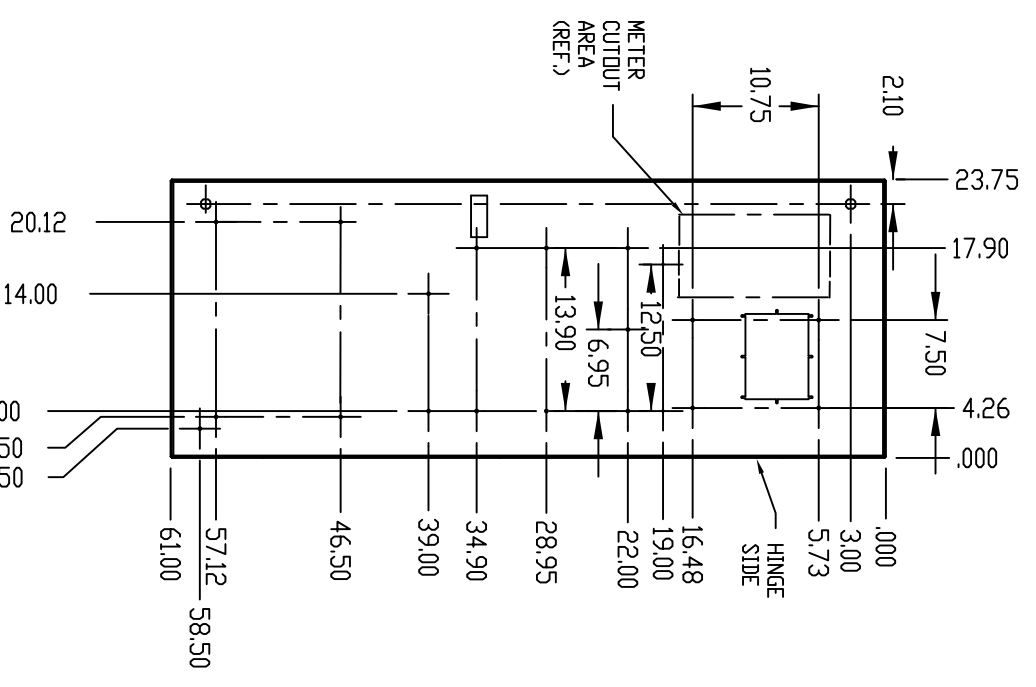


GE PROPRIETARY AND CONFIDENTIAL INFORMATION



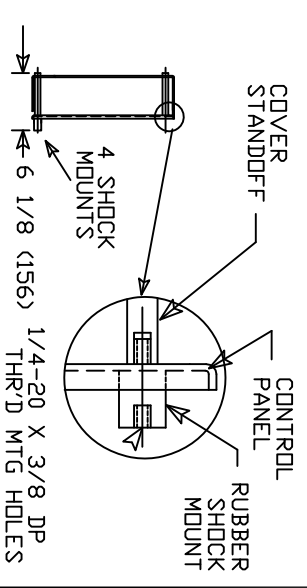
THIRD ANGLE PROJECTION

This document is the property of General Electric Company (GE), and contains proprietary information of GE. This document is loaned on the express condition that neither it nor the information contained therein shall be disclosed to others without the express written consent of GE Industrial Systems, and that the information shall be returned to GE upon its request. This document may be subject to certain restrictions under U.S. export control laws and regulations.



DOOR DETAIL (INSIDE VIEW)

QTY.	LUG SIZES	NOTE
1	#4 - 600 MCM (21-304 MM ²)	DRAWING SHOWN WITH 600 MCM LUG CONFIGURATION FOR REFERENCE ONLY.



AUXILIARY PANEL

- NOTES:
1. CONSTRUCTION PER UL 1008 STANDARD.
 2. OPEN TYPE SWITCH SUPPLIED WITH 6 FT. (1.8m) LONG HARNESS BETWEEN POWER AND CONTROL PANELS. HARNESS EXITS FROM LOWER RIGHT CORNER OF POWER PANEL.
 3. DO NOT RUN CABLES IN FRONT OF SWITCH. RUN ALL CABLES ON SIDES.
 4. MAINTAIN ELECTRICAL CLEARANCE OF 1(25mm) MIN. BETWEEN LIVE METAL PARTS AND GROUNDED METAL.
 5. DIMENSIONS ARE FOR REFERENCE ONLY AND SHOWN IN INCHES(MILLIMETERS).
 6. SWITCH SUPPLIED WITH STANDARD MECHANICAL LUG, RATED FOR AL&CU CABLES.
 7. REFER LUG TORQUE LABEL FOR TORQUE INFORMATION.
 8. REFER NEMA-1 CABINET DRAWING FOR RECOMMENDED CABINET SIZE.



OPEN TYPE ATS LAYOUT FOR 100-400A - FRONT LUG

FOR ADDITIONAL INFO REFER TO	SIGNATURES	DATE
APPROVED	PM	06/16/09
PRACTICES	DETAIL	
UNLESS OTHERWISE SPECIFIED DIMENSIONS ARE IN INCHES		
TOLERANCES ON	CHECKED	
2 PL. DECIMALS ± .020	ENGRG	06/16/09
3 PL. DECIMALS ± .005	PM	
ANGLES ± 1°	QUALITY	
FRACTIONS ± 1/64	ISSUED	
FINISH	DRAWING FILE	SOC-2008.dwg
✓	MODEL / ASSEMBLY FILE	ZT SCT100-400

AutoCad Generated

CRITICAL TO QUALITY CHARACTERISTIC

SCALE: NA SIZE: B CAGE CODE: DVG NO: 50C-2008 SHEET: 1 OF 1