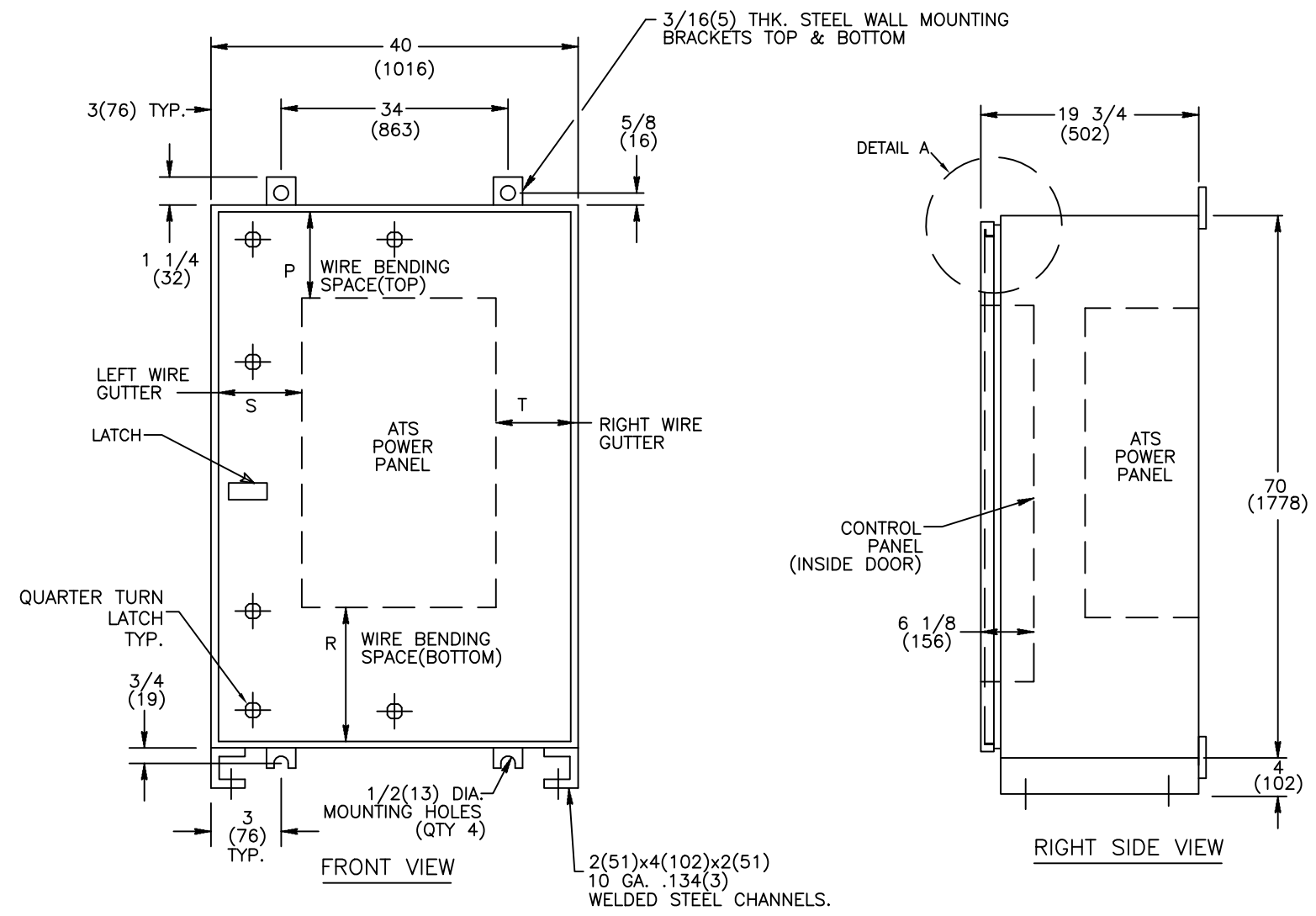
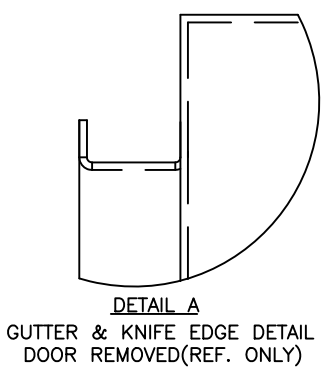
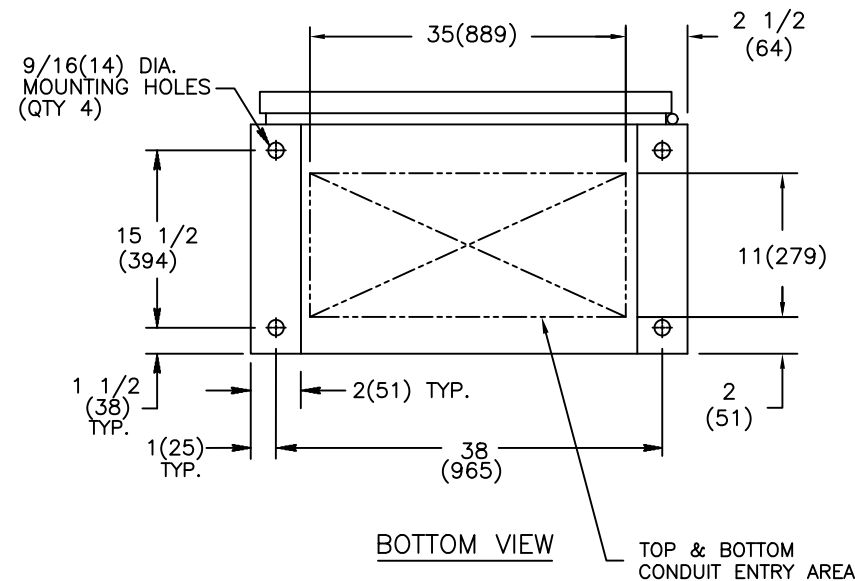


REVISIONS			
REV.	DESCRIPTION	DATE	APPROVED
L	S-8887	08/11/09	YP MAS



MODEL	AMPERAGE	CONTROLLER TYPE	NO. POLES	NEMA CABINET	LUG RANGE	WIRE BENDING SPACE		WIRE GUTTERS	
						P(TOP)	R(BOTTOM)	S(LEFT)	T(RIGHT)
ZTG(D)	1000-1200 AMP	MX-150	2, 3	F-1868MPX	#2-600 MCM (33-304mm ²) (QTY 4)	16 11/16 (424)	20 5/8 (524)	17 1/4 (438)	1 1/8 (29)
			4					11 1/2 (292)	



- NOTES:
- MATERIAL: 12 GA. .104(3) REF. 304 SS
 - FINISH: NONE
 - ALL DIMENSIONS ARE FOR REFERENCE ONLY AND SHOWN IN INCHES(MILLIMETERS).
 - CONSTRUCTION PER UL 1008
 - FOR SEISMIC MOUNTING, REFER TO SHEET NO.2.

SIGNATURES		DATE	GE Zenith Controls		
MODEL	SG	03/13/01	TITLE TRANSFER SWITCHES NEMA 4X ENCLOSURE		
DETAIL					
CHECKED					
ENGRG	SB				
MFG					
QUALITY			FIRST MADE FOR:		
ISSUED			SIZE	CAGE CODE	DWG NO
DRAWING FILE:	52c-1002-1-1.dwg		B		52C-1002
MODEL / ASSEMBLY FILE:	ZTG(D) (1000-1200 AMP)				
# CTQs	CRITICAL TO QUALITY CHARACTERISTIC		SCALE:	N/A	SHEET 1 OF 2

THIRD ANGLE PROJECTION

GE PROPRIETARY AND CONFIDENTIAL INFORMATION

This document is the property of General Electric Company ("GE") and contains proprietary information of GE. This document is loaned on the express condition that neither it nor the information contained therein shall be disclosed to others without the express written consent of GE Industrial Systems, and that the information shall be used by the recipient only as approved expressly by GE Industrial Systems. This document shall be returned to GE upon its request. This document may be subject to certain restrictions under U.S. export control laws and regulations.

AutoCad Generated



REVISIONS

REV.	DESCRIPTION	DATE	APPROVED
L	S-8887	ADDED WEIGHT	08/11/09 YP MAS

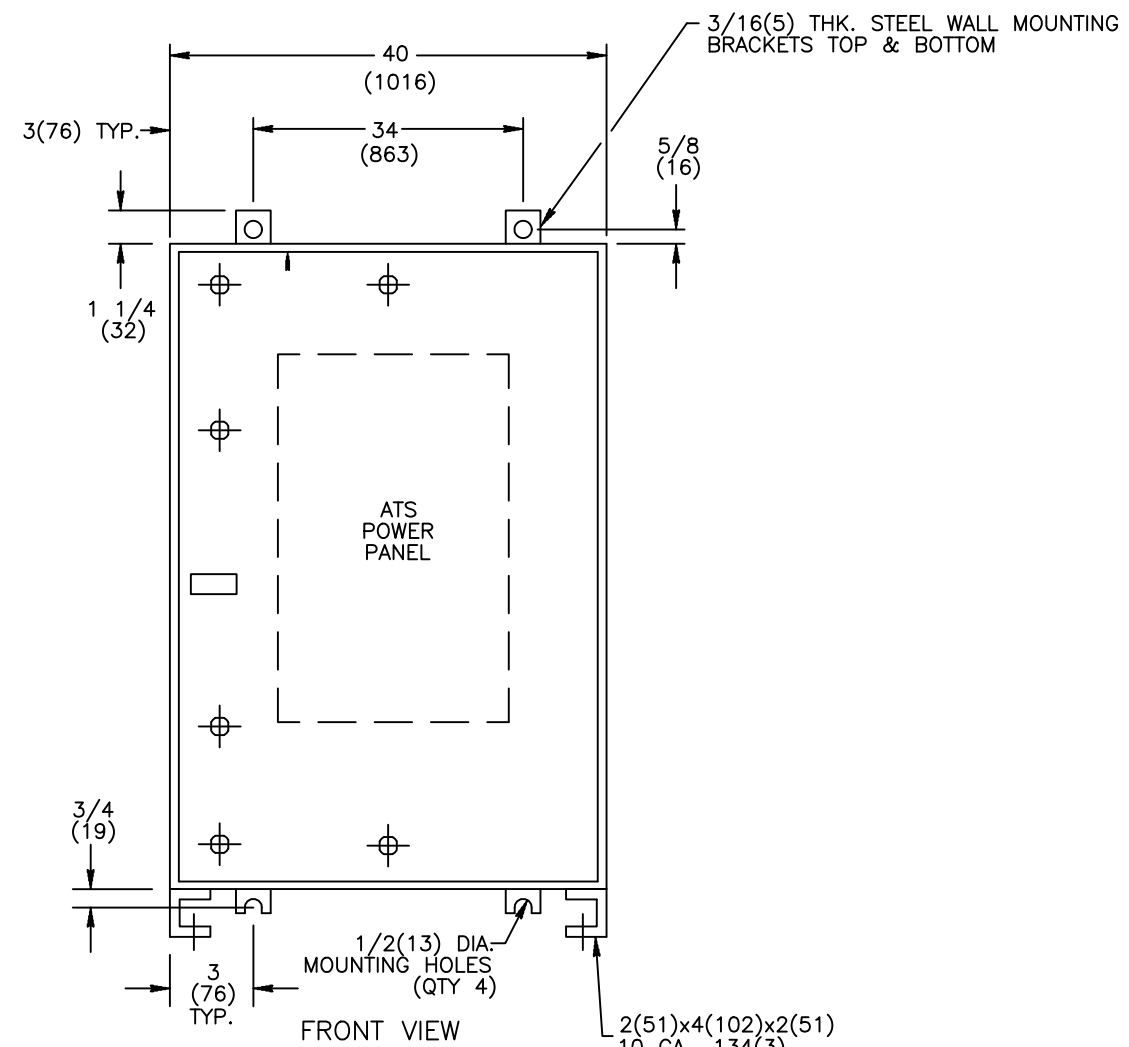
NOTES:

- ALL DIMENSIONS ARE FOR REFERENCE ONLY AND SHOWN IN INCHES (MILLIMETERS).
- SEISMIC DATA OF MOST VULNERABLE ATS CONSTRUCTION WITHIN ITS PLATFORM:

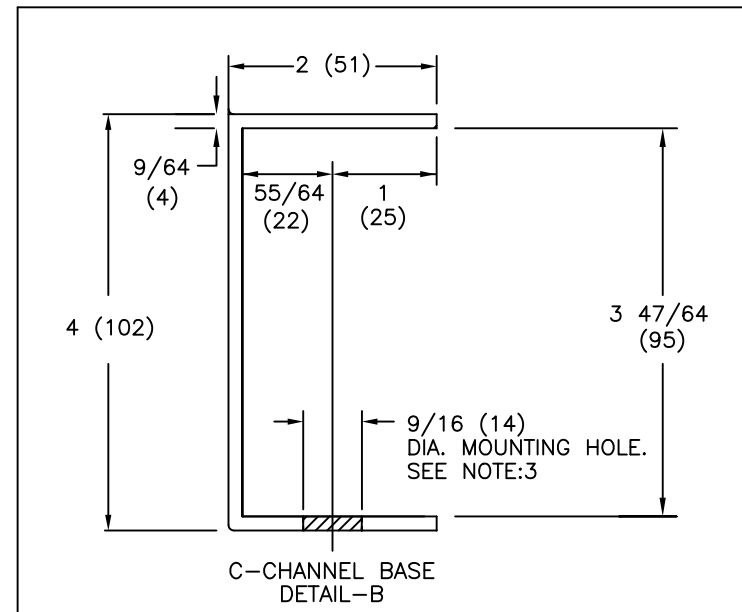
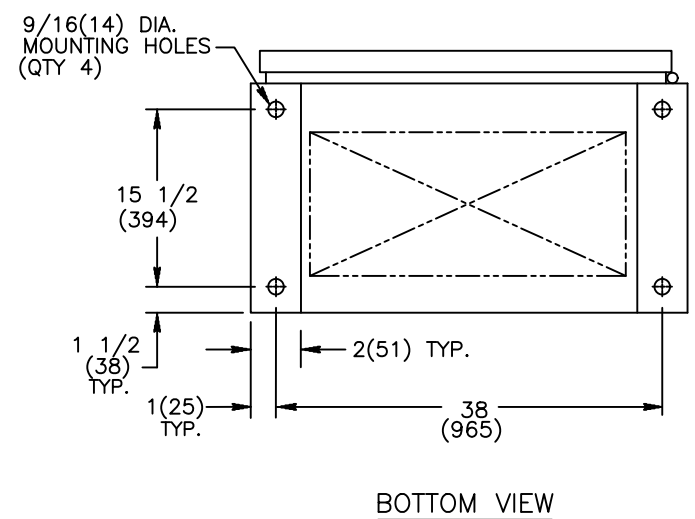
MAXIMUM DEFLECTION AT TOP OF GEAR: $d_{ss}=0.69$ INCHES (18 mm) $d_{fb}=0.21$ INCHES (5 mm)
QUALIFIED BY: TIME HISTORY SHAKE TABLE TEST IEEE-693-2005-HIGHx2.5 (64 mm) IBC-2003-300%G
RESONANCE FREQUENCIES: $f_{ss}=10.9$ Hz $f_{fb}=19.5$ Hz $f_v > 33.0$ Hz
MAXIMUM REACTION TO ANY BOLT: $V_{ss}=945$ LBS (430 KG) SHEAR (DEAD LOAD +/- SEISMIC) $V_{fb}=945$ LBS (430 KG) SHEAR $T_v=1872$ LBS (851 KG) UP $P_v=2613$ LBS (1188 KG) DOWN

- BOLT ENCLOSURE FROM C-CHANNEL BASE (SEE DETAIL B) USING THE FOLLOWING SEISMIC CERTIFIED MOUNTING HARDWARE PER MOUNTING HOLE: (HARDWARE PROVIDED BY INSTALLER).
 - 1/2-13 GRADE 5 BOLT TORQUE TO 15 FT-LBS. (95 NEWTON METERS).
 - US STANDARD HIGH STRENGTH ZINC-PLATED FLAT WASHER 5/8 (16) I.D. AND 1-1/2 (38) O.D.
 - 1/2 (13) HELICAL SPRING LOCK WASHER.

MODEL	AMPERAGE	NO. POLES	NEMA CABINET	WEIGHT LB (Kg)
ZTG & ZTGD	1000-1200	2, 3	F-1868MPX	510 (231)
		4		595 (270)



2(51)x4(102)x2(51)
10 GA. .134(3)
WELDED STEEL CHANNELS.
SEE DETAIL-B



SIGNATURES		DATE
MODEL	SG	03/13/01
DETAIL		
CHECKED		
ENGRG	SB	
MFG		
QUALITY		
ISSUED		
DRAWING FILE:	52c-1002-1-2.dwg	
MODEL / ASSEMBLY FILE:	ZTG(D) (1000-1200 AMP)	
# CTQs	⊖	CRITICAL TO QUALITY CHARACTERISTIC

GE Zenith Controls

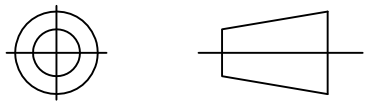
TITLE: NEMA 4X ENCLOSURE SEISMIC MOUNTING DETAIL

FIRST MADE FOR: SIZE CAGE CODE DWG NO

B B 52C-1002

SCALE: N/A SHEET 2 OF 2

THIRD ANGLE PROJECTION



GE PROPRIETARY AND CONFIDENTIAL INFORMATION

This document is the property of General Electric Company ("GE") and contains proprietary information of GE. This document is loaned on the express condition that neither it nor the information contained therein shall be disclosed to others without the express written consent of GE Industrial Systems, and that the information shall be used by the recipient only as approved expressly by GE Industrial Systems. This document shall be returned to GE upon its request. This document may be subject to certain restrictions under U.S. export control laws and regulations.

AutoCad Generated

