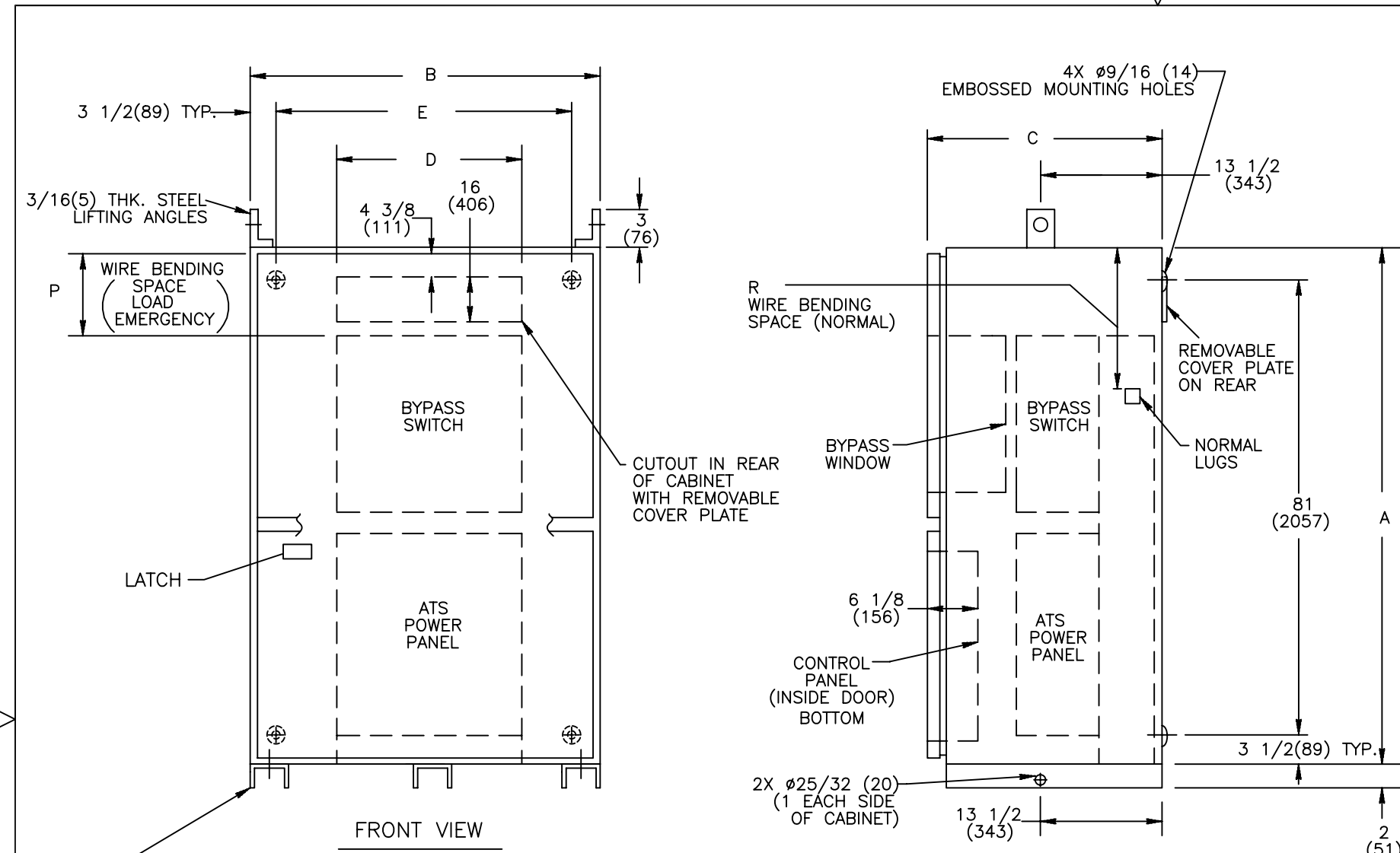


REVISIONS			
REV.	DESCRIPTION	DATE	APPROVED
A	S-8713-2 ESTABLISHED DRAWING	01/15/08	JLM YP



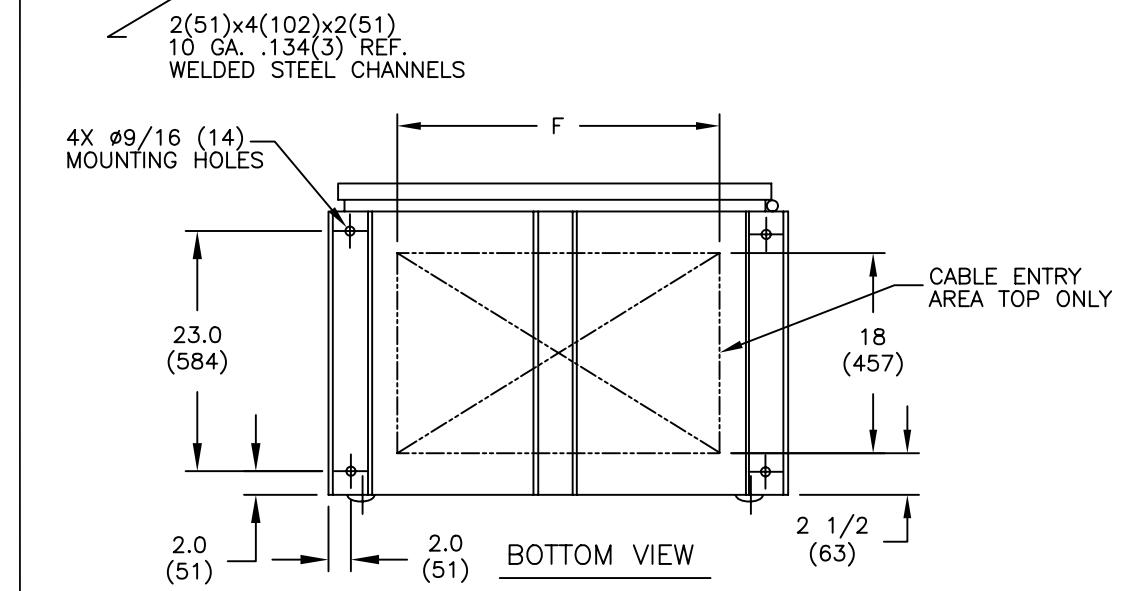
ZBTECT SWITCHES	CONTROLLER TYPE	NO. POLES	ENCLOSURE PART #	LUG RANGE	WIRE BENDING SPACE	
					P(EMERG)	R(NORMAL)
100-400 AMP	MX350	2,3	F-1860MP	(QTY 1) #4-600 MCM (33-304mm <sup>2</sup> )	18 1/4 (464)	31 3/8 (797)
		4	F-1861MP			27 1/8 (689)

ZBTE(D/CT) SWITCHES	CONTROLLER TYPE	NO. POLES	ENCLOSURE PART #	LUG RANGE	WIRE BENDING SPACE	
					P(EMERG)	R(NORMAL)
600 AMP	MX350	2,3	F-1860MP	(QTY 2) #2-600 MCM (33-304mm <sup>2</sup> )	18 1/4 (464)	31 3/8 (797)
		4	F-1861MP			27 1/8 (689)
800-1200 AMP	MX350	3	F-1862MP	(QTY 4) #2-600 MCM (33-304mm <sup>2</sup> )	18 1/4 (464)	29 5/8 (752)
		4	F-1863MP			25 1/8 (638)

CABINET DIMENSIONS						
CABINET	A	B	C	D	E	F
F-1860MP	88 (2235)	36 (914)	28 1/4 (737)	24 (610)	29 (737)	24 (609)
F-1861MP	88 (2235)	40 (1016)		28 (711)	33 (838)	28 (711)
F-1862MP	88 (2235)	40 (1016)		28 (711)	33 (838)	28 (711)
F-1863MP	88 (2235)	46 (1168)		34 (864)	39 (991)	34 (863)

**NOTES:**

- MATERIAL: 10 GA. STEEL .134(3) REF. UNLESS OTHERWISE NOTED.
- FINISH: PER F-7000
- LOAD AND EMERGENCY LUG CONNECTIONS AT TOP OF BYPASS SWITCH. NORMAL LUG CONNECTIONS ON RIGHT SIDE OF MOUNTING FRAME.
- ALL CABLES MUST ENTER IN TOP WIRING AREA OF CABINET ABOVE BYPASS SWITCH. NO CABLE ENTRY ALLOWED IN BOTTOM OF CABINET.
- ADDITIONAL REAR BAY AVAILABLE FOR BOTTOM CABLE ENTRY. REFER TO 90C-1003AB DRAWING.
- ALL DIMENSIONS ARE FOR REFERENCE ONLY AND SHOWN IN INCHES(MILLIMETERS).
- CONSTRUCTION PER UL 1008
- FOR INSTALTLATION REFER TO SHEET NO. 2.



SIGNATURES		DATE	<b>GE Zenith Controls</b>
MODEL SG		01/15/08	
DETAIL			TITLE
CHECKED			ZBTE(D) & ZBTECT
ENGRG			DIMENSIONAL DWG. NEMA-1
MFG			FIRST MADE FOR: ZBTE(D) 600-1200 AMP & ZBTECT 100-1200 AMP
QUALITY			SIZE CAGE CODE DWG NO
ISSUED			B 90C-1003
DRAWING FILE: 90c-1003-a-1.dwg			SCALE: N/A
MODEL / ASSEMBLY FILE: ZBTE(D) 600-1200 AMP & ZBTECT 100-1200 AMP			SHEET 1 OF 2
# CTQs		⊖ CRITICAL TO QUALITY CHARACTERISTIC	

THIRD ANGLE PROJECTION

GE PROPRIETARY AND CONFIDENTIAL INFORMATION

This document is the property of General Electric Company ("GE") and contains proprietary information of GE. This document is loaned on the express condition that neither it nor the information contained therein shall be disclosed to others without the express written consent of GE Industrial Systems, and that the information shall be used by the recipient only as approved expressly by GE Industrial Systems. This document shall be returned to GE upon its request. This document may be subject to certain restrictions under U.S. export control laws and regulations.

AutoCad Generated

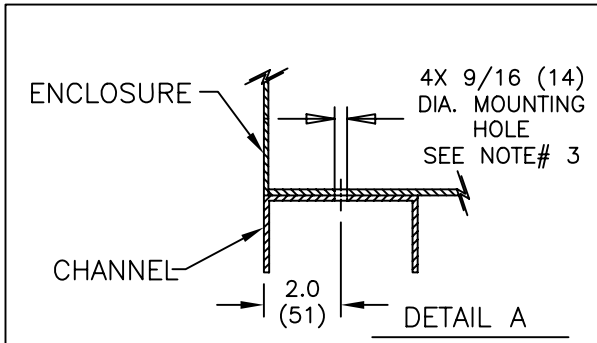
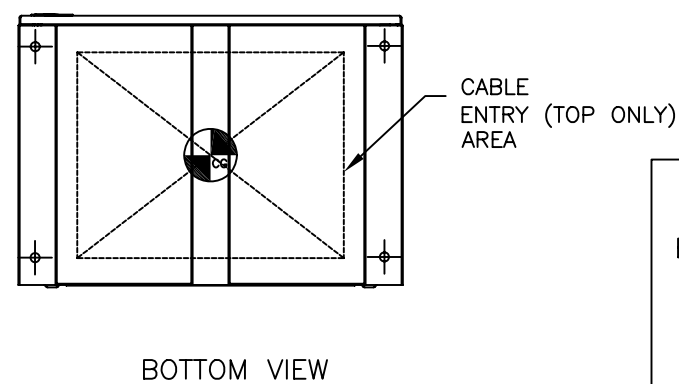
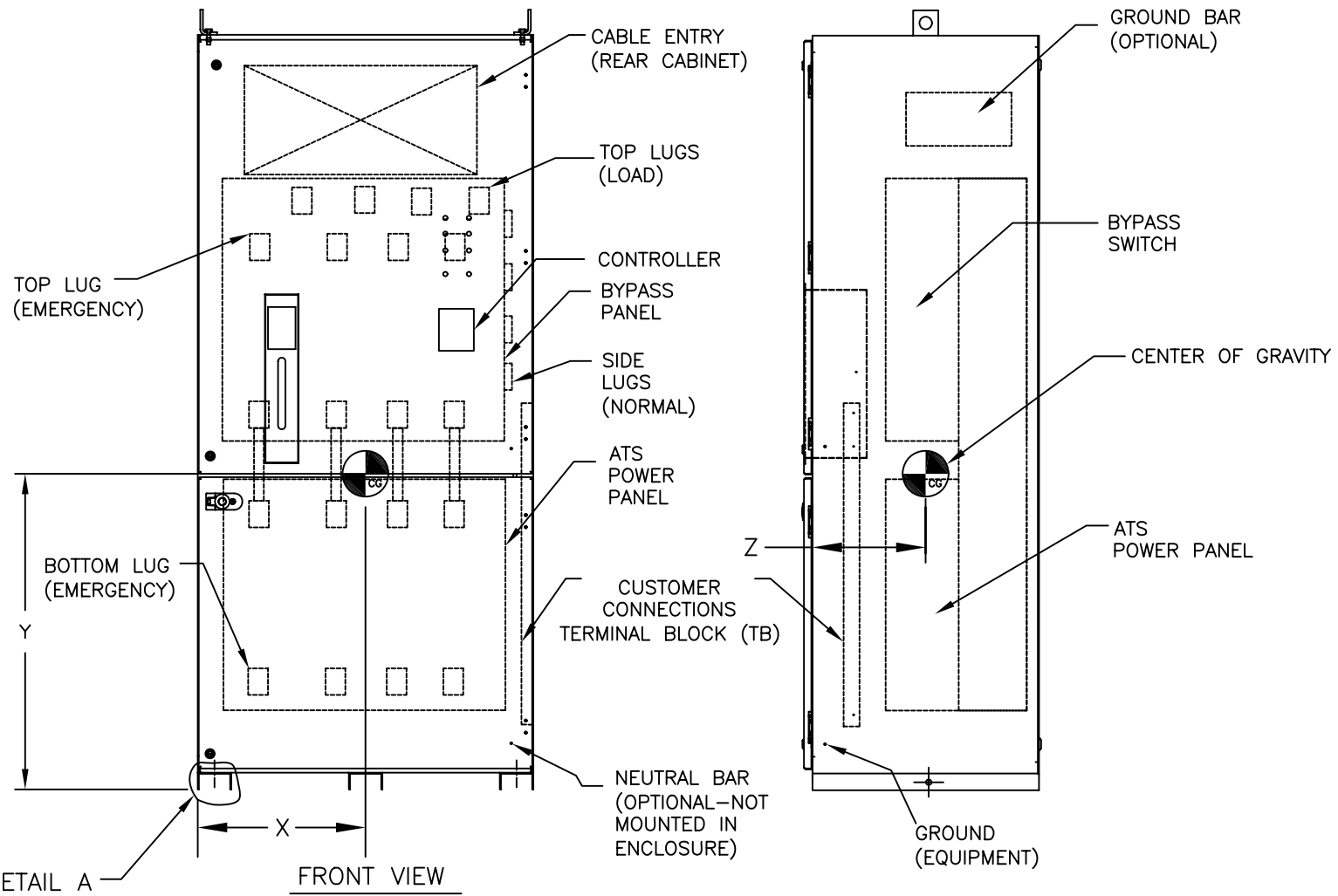


REVISIONS			
REV.	DESCRIPTION	DATE	APPROVED
A	S-8713-2 ESTABLISHED DRAWING	05/22/08	JLM YP

**NOTES:**  
 1. ALL DIMENSIONS ARE FOR REFERENCE ONLY AND SHOWN IN INCHES (MILLIMETERS).  
 2. SEISMIC DATA OF MOST VULNERABLE ATS CONSTRUCTION WITHIN SERIES.

MAXIMUM DEFLECTION AT TOP OF GEAR: dss=1.41 INCHES (36 mm) dfb=0.67 INCHES (17 mm)
QUALIFIED BY: TIME HISTORY SHAKE TABLE TEST IEEE-693-2005-HIGHx2.5 (64 mm) IBC-2003-300%G
RESONANCE FREQUENCIES: fss=7.0 Hz ffb=10.2 Hz fv=>33.0 Hz
MAXIMUM REACTION TO ANY BOLT: Vss=788 LBS (358 KG) SHEAR (DEAD LOAD +/- SEISMIC) Vfb=788 LBS (358 KG) SHEAR Tv=3170 LBS (1441 KG) UP Pv=3787 LBS (1721 KG) DOWN

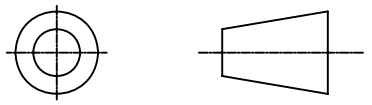
- BOLT ENCLOSURE FROM C-CHANNEL BASE (SEE DETAIL A) USING THE FOLLOWING SEISMIC CERTIFIED MOUNTING HARDWARE PER MOUNTING HOLE:  
(HARDWARE PROVIDED BY INSTALLER).
  - 1/2-13 GRADE 5 BOLT TORQUE TO 75 FT-LBS. (102 NEWTON METERS).
  - US STANDARD HIGH STRENGTH ZINC-PLATED FLAT WASHER 5/8 (16) I.D. AND 1-1/2 (38) O.D.
  - 1/2 (13) HELICAL SPRING LOCK WASHER.
- CENTER OF GRAVITY DIMENSIONS ARE FOR REFERENCE ONLY.
- LOAD AND EMERGENCY LUG CONNECTIONS AT TOP OF BYPASS SWITCH. NORMAL LUG CONNECTIONS ON RIGHT SIDE OF MOUNTING FRAME.
- SWITCH SUPPLIED WITH STANDARD MECHANICAL LUG. REFER TO SHEET 1 FOR LUG DETAILS
- ALL CONTROL WIRES (18-12 AWG) MUST BE TORQUED TO 19 in-lbs (2 N-m).
- LUG TORQUE ARE APPLICABLE FOR CU & AL CABLES.
- FOR WORKING CLEARANCE REFER TO NATIONAL AND LOCAL CODES AND STANDARDS.



SOCKET SIZE ACROSS FLATS	TORQUE	
	Lb-Ft	N-m
1/8	4	5.4
5/32	8	10.9
3/16	10	13.6
7/32	12	16.3
1/4	17	23.1
5/16	23	31.2
3/8	31	42.1
1/2	42	57.0
9/16	50	67.9

AMP	POLE	WEIGHT LB(kg)	CENTER OF GRAVITY in(mm)		
			X	Y	Z
100-600	3	1435(651)	18.0 (457)	36.0 (914)	19.0 (482)
	4	1540(699)			
800-1200	3	1485(674)	21.0 (533)	36.0 (914)	19.0 (482)
	4	1590(721)			

THIRD ANGLE PROJECTION



GE PROPRIETARY AND CONFIDENTIAL INFORMATION

This document is the property of General Electric Company ("GE") and contains proprietary information of GE. This document is loaned on the express condition that neither it nor the information contained therein shall be disclosed to others without the express written consent of GE Industrial Systems, and that the information shall be used by the recipient only as approved expressly by GE Industrial Systems. This document shall be returned to GE upon its request. This document may be subject to certain restrictions under U.S. export control laws and regulations.

AutoCad Generated

SIGNATURES		DATE
MODEL	SG	01/15/08
DETAIL		
CHECKED		
ENGRG		
MFG		
QUALITY		
ISSUED		
DRAWING FILE:	90c-1003-a-2.dwg	
MODEL / ASSEMBLY FILE:	ZBTE(D) 600-1200 AMP & ZBTECT 100-1200 AMP	
# CTQs	CRITICAL TO QUALITY CHARACTERISTIC	

**GE Zenith Controls**

TITLE: ZBTE(D) & ZBTECT INSTALLATION DWG. NEMA-1

FIRST MADE FOR: ZBTE(D) 600-1200 AMP & ZBTECT 100-1200 AMP

SIZE	CAGE CODE	DWG NO
B		90C-1003

SCALE: N/A SHEET 2 OF 2

