

REVISIONS			
REV.	DESCRIPTION	DATE	APPROVED
B	S-8713-5 REVISED SHEET 2	08/16/08	GG YP

ZBTECT SWITCHES	CONTROLLER TYPE	NO. POLES	ENCLOSURE PART #	LUG RANGE	WIRE BENDING SPACE	
					P(EMERG)	R(NORMAL)
100-400 AMP	MX-350	2,3	F-1884MPX	(QTY 1) #4-600 MCM (33-304mm <sup>2</sup> )	17 7/8 (454)	31 (787)
		4	F-1885MPX			26 3/4 (679)

ZBTE(D/CT) SWITCHES	CONTROLLER TYPE	NO. POLES	ENCLOSURE PART #	LUG RANGE	WIRE BENDING SPACE	
					P(EMERG)	R(NORMAL)
600 AMP	MX-350	2,3	F-1884MPX	(QTY 2) #2-600 MCM (33-304mm <sup>2</sup> )	17 7/8 (454)	31 (787)
		4	F-1885MPX			26 3/4 (679)
800-1200 AMP	MX-350	2,3	F-1886MPX	(QTY 4) #2-600 MCM (33-304mm <sup>2</sup> )	17 7/8 (454)	29 1/4 (743)
		4	F-1887MPX			24 3/4 (629)

CABINET DIMENSIONS				
ENCLOSURE PART #	A	B	C	F
F-1884MPX	88 (2235)	36 (914)	28 1/4 (718)	24 (609)
F-1885MPX	88 (2235)	40 (1016)	28 1/4 (718)	28 (711)
F-1887MPX	88 (2235)	46 (1168)	28 1/4 (718)	28 (711)
F-1886MPX	88 (2235)	40 (1016)	28 1/4 (718)	34 (863)

**NOTES:**

1. MATERIAL: 10 GA. STEEL .134(3) REF. UNLESS OTHERWISE NOTED.
2. FINISH: PER F-7000.
3. LOAD AND EMERGENCY LUG CONNECTIONS AT TOP OF BYPASS SWITCH. NORMAL LUG CONNECTIONS ON RIGHT SIDE OF MOUNTING FRAME.
4. ALL CABLES MUST ENTER IN TOP WIRING AREA OF CABINET ABOVE BYPASS SWITCH. NO CABLE ENTRY ALLOWED IN BOTTOM OF CABINET.
5. ADDITIONAL REAR BAY AVAILABLE FOR BOTTOM CABLE ENTRY. CONSULT FACTORY.
6. ALL DIMENSIONS ARE FOR REFERENCE ONLY AND SHOWN IN INCHES(MILLIMETERS).
7. CONSTRUCTION PER UL 1008
8. FOR INSTALLATION, REFER TO SHEET NO. 2.

SIGNATURES		DATE
MODEL	SG	01/15/08
DETAIL		
CHECKED		
ENGRG		
MFG		
QUALITY		
ISSUED		
DRAWING FILE:	90c-1012-b-1.dwg	
MODEL / ASSEMBLY FILE:	ZBTE(D) 600-1200 AMP & ZBTECT 100-1200 AMP	
# CTQs	CRITICAL TO QUALITY CHARACTERISTIC	

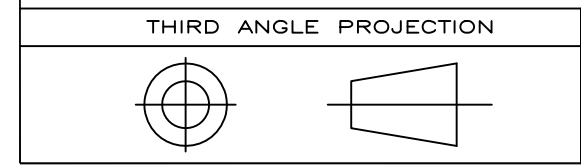
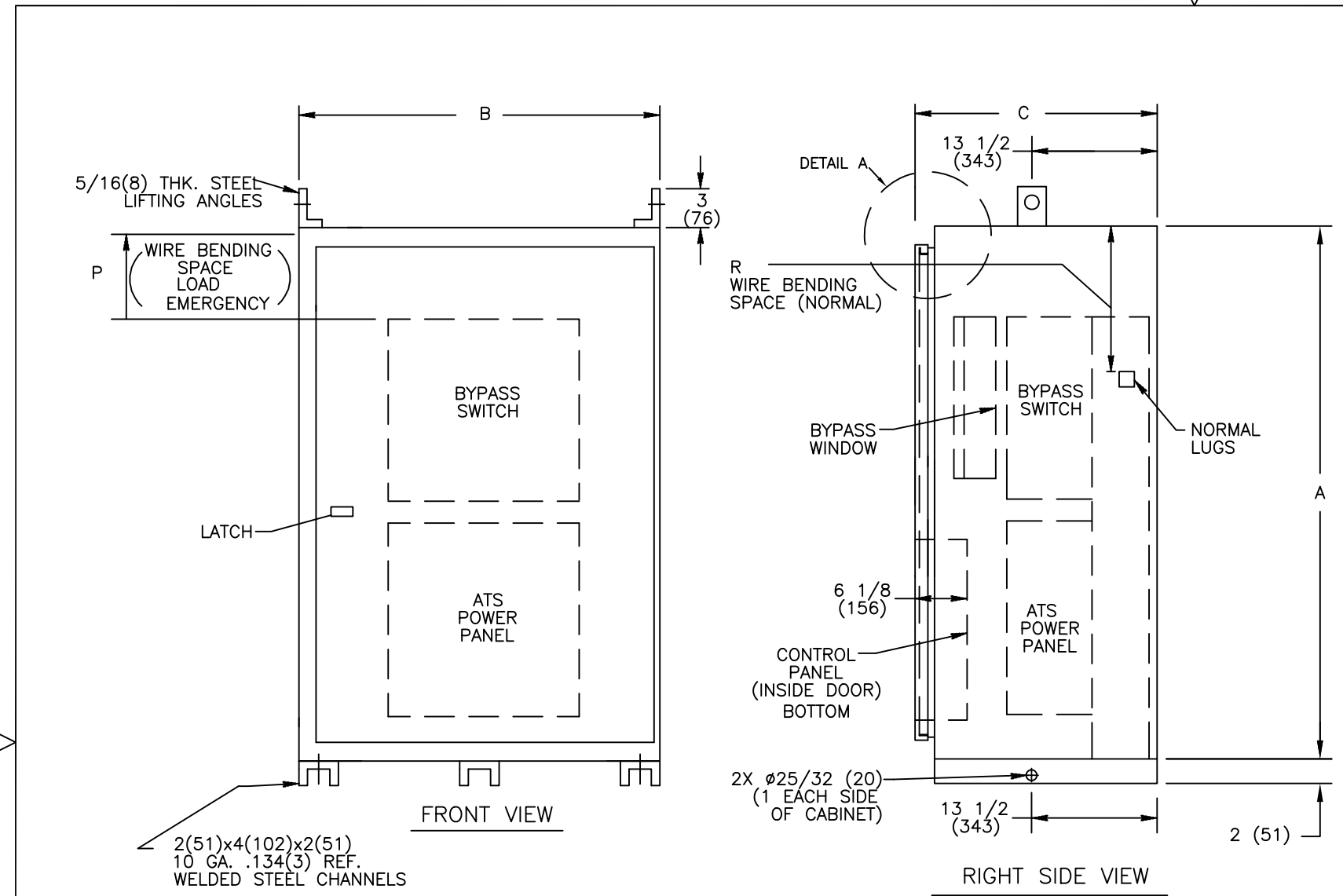
**GE Zenith Controls**

TITLE: ZBTE(D) & ZBTECT DIM. DWG. NEMA 4X

FIRST MADE FOR: ZBTE(D) 600-1200A & ZBTECT 100-1200A NEMA-4X ENCL.

SIZE: B CAGE CODE: DWG NO: 90C-1012

SCALE: N/A SHEET 1 OF 2

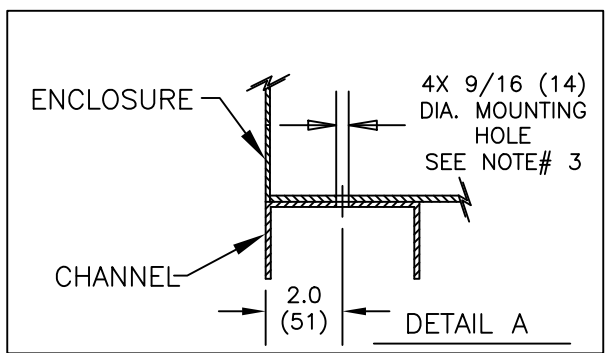
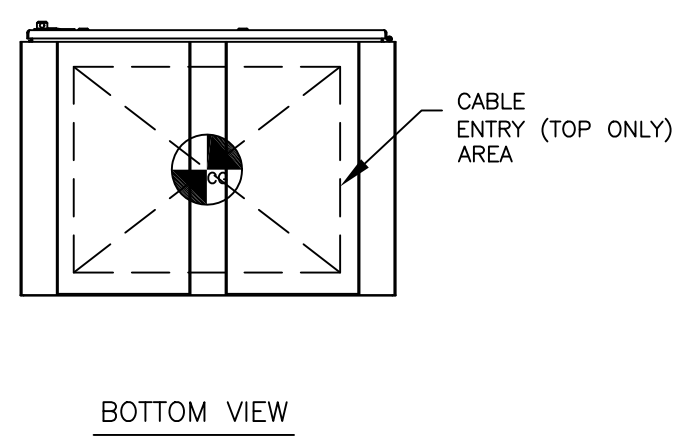
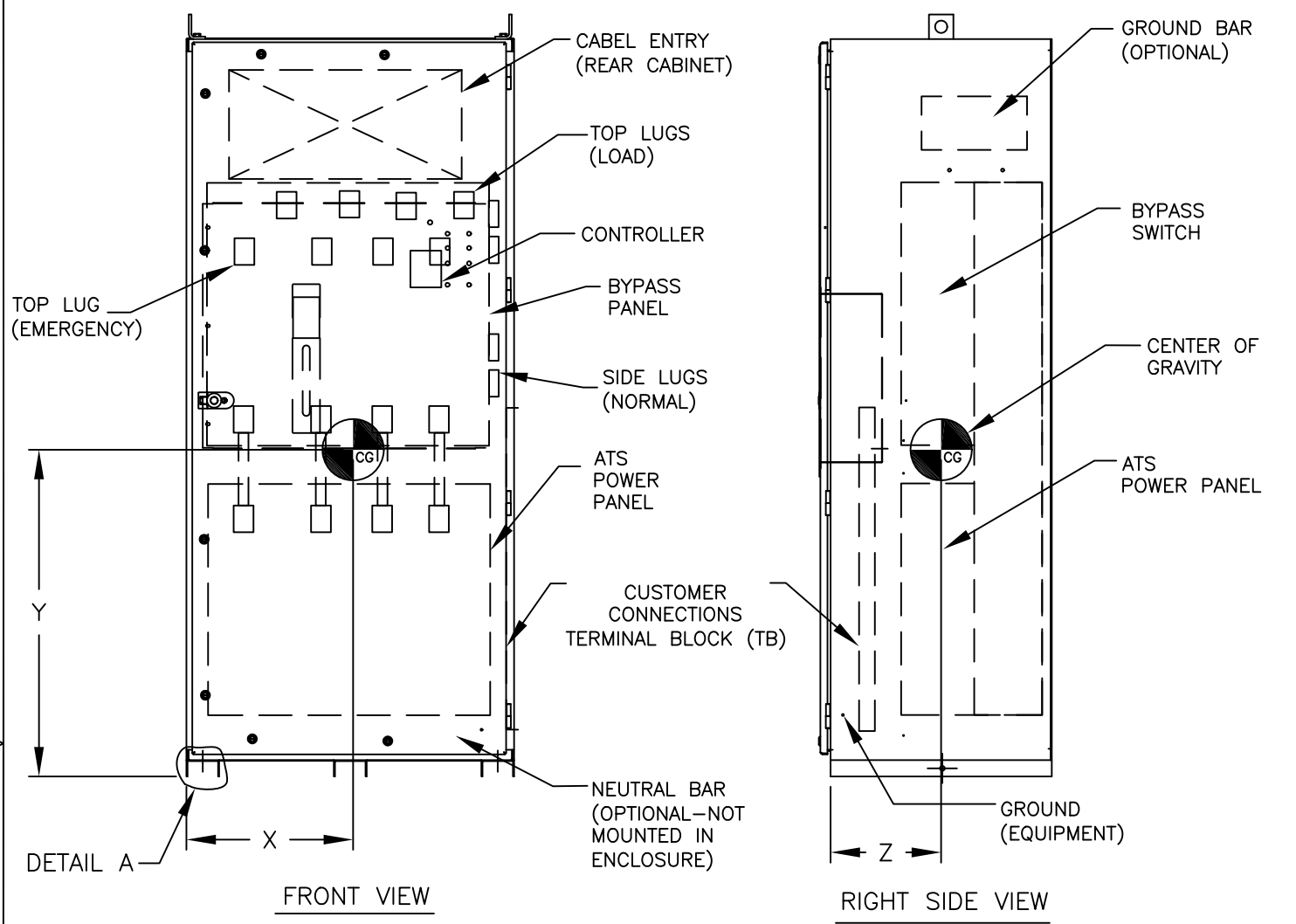


GE PROPRIETARY AND CONFIDENTIAL INFORMATION

This document is the property of General Electric Company ("GE") and contains proprietary information of GE. This document is loaned on the express condition that neither it nor the information contained therein shall be disclosed to others without the express written consent of GE Industrial Systems, and that the information shall be used by the recipient only as approved expressly by GE Industrial Systems. This document shall be returned to GE upon its request. This document may be subject to certain restrictions under U.S. export control laws and regulations.

AutoCad Generated

REVISIONS			
REV.	DESCRIPTION	DATE	APPROVED
B	S-8713-5 REVISED DWG	07/16/08	GG YP



**NOTES:**

1. ALL DIMENSIONS ARE FOR REFERENCE ONLY AND SHOWN IN INCHES (MILLIMETERS).
2. SEISMIC DATA OF MOST VULNERABLE ATS CONSTRUCTION WITHIN ITS PLATFORM:

MAXIMUM DEFLECTION AT TOP OF GEAR: $d_{ss}=1.41$ INCHES (36 mm) $d_{fb}=0.67$ INCHES (17 mm)
QUALIFIED BY: TIME HISTORY SHAKE TABLE TEST IEEE-693-2005-HIGHx2.5 (64 mm) IBC-2003-300%G
RESONANCE FREQUENCIES: $f_{ss}=7.0$ Hz $f_{fb}=10.2$ Hz $f_v > 33.0$ Hz
MAXIMUM REACTION TO ANY BOLT: $V_{ss}=788$ LBS (358 KG) SHEAR (DEAD LOAD +/- SEISMIC) $V_{fb}=788$ LBS (358 KG) SHEAR $T_v=3170$ LBS (1441 KG) UP $P_v=3787$ LBS (1721 KG) DOWN

3. BOLT ENCLOSURE FROM C-CHANNEL BASE (SEE DETAIL A) USING THE FOLLOWING SEISMIC CERTIFIED MOUNTING HARDWARE PER MOUNTING HOLE: (HARDWARE PROVIDED BY INSTALLER).
  - 1/2-13 GRADE 5 BOLT TORQUE TO 75 FT-LBS. (101 NEWTON METERS).
  - US STANDARD HIGH STRENGTH ZINC-PLATED FLAT WASHER 5/8 (16) I.D. AND 1-1/2 (38) O.D.
  - 1/2 (13) HELICAL SPRING LOCK WASHER.
4. CENTER OF GRAVITY DIMENSIONS ARE FOR REFERENCE ONLY.
5. LOAD AND EMERGENCY LUG CONNECTIONS AT TOP OF BYPASS SWITCH. NORMAL LUG CONNECTIONS ON RIGHT SIDE OF MOUNTING FRAME. ALL CABLES MUST ENTER IN TOP WIRING AREA OF CABINET ABOVE BYPASS SWITCH. NO CABLE ENTRY ALLOWED IN BOTTOM OF CABINET.
6. SWITCH SUPPLIED WITH STANDARD MECHANICAL LUG. REFER TO SHEET 1 FOR LUG DETAILS
7. ALL CONTROL WIRES (18-12 AWG) MUST BE TORQUED TO 19 in-lbs. (2 N-m)
8. LUG TORQUE ARE APPLICABLE FOR CU & AL CABLES.
9. FOR WORKING CLEARANCE REFER TO NATIONAL AND LOCAL CODES AND STANDARDS.
10. REMOVE THE PLUGS FROM BOTTOM OF ENCLOSURE FOR SEISMIC MOUNTING.
11. THIS SWITCH COMES WITH WINDOW KIT (NOT SHOWN).



SOCKET SIZE ACROSS FLATS	TORQUE	
	Lb-Ft	N-m
1/8	4	5.4
5/32	8	10.9
3/16	10	13.6
7/32	12	16.3
1/4	17	23.1
5/16	23	31.2
3/8	31	42.1
1/2	42	57.0
9/16	50	67.9

AMP	POLE	WEIGHT LB(kg)	CENTER OF GRAVITY in(mm)		
			X	Y	Z
600	3	1455(660)	18.0	36.0	18.0
	4	1560(708)	(457)	(914)	(457)
800-1200	3	1505(683)	21.0	36.0	18.0
	4	1610(730)	(533)	(914)	(457)

SIGNATURES		DATE
MODEL	SG	01/15/08
DETAIL		
CHECKED		
ENGRG		
MFG		
QUALITY		
ISSUED		
DRAWING FILE:	90C-1012-b-2.dwg	
MODEL / ASSEMBLY FILE:	ZBTE(D) 600-1200 AMP & ZBTECT 100-1200 AMP	
# CTQs	CRITICAL TO QUALITY CHARACTERISTIC	

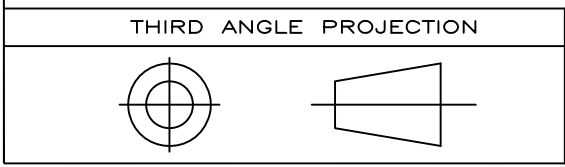
**GE Zenith Controls**

TITLE: ZBTE(D) & ZBTECT  
INSTALLATION DRAWING NEMA-4X

FIRST MADE FOR: ZBTE(D) 600-1200 AMP & ZBTECT 100-1200 AMP

SIZE: B CAGE CODE: DWG NO: 90C-1012

SCALE: N/A SHEET 2 OF 2



GE PROPRIETARY AND CONFIDENTIAL INFORMATION

This document is the property of General Electric Company ("GE") and contains proprietary information of GE. This document is loaned on the express condition that neither it nor the information contained therein shall be disclosed to others without the express written consent of GE Industrial Systems, and that the information shall be used by the recipient only as approved expressly by GE Industrial Systems. This document shall be returned to GE upon its request. This document may be subject to certain restrictions under U.S. export control laws and regulations.

AutoCad Generated