



# Transformer

Catalog Number TYPE QL

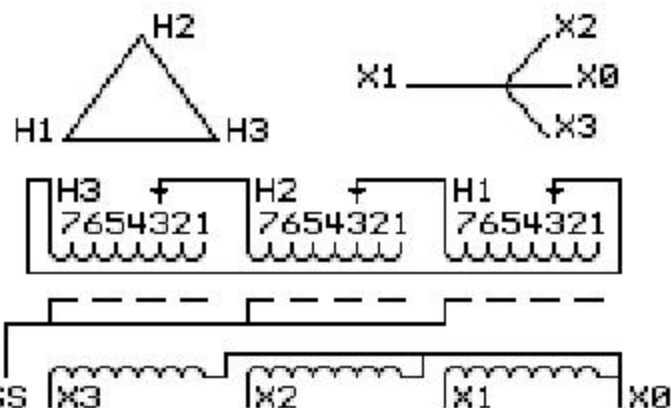
## 9T23B3094G03

75.0 KVA 60 HZ 3 PH 5.5 % IMP

40 C AMB. 150 C RISE 220 C SYSTEM IS-19C

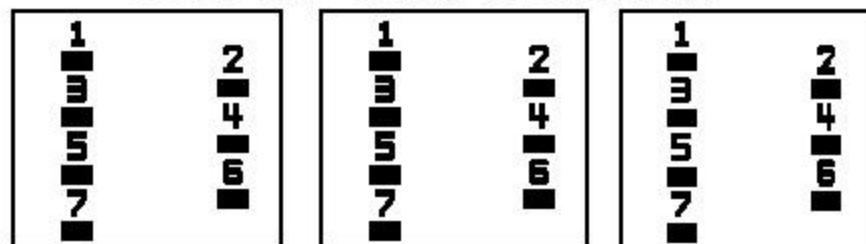
PRIMARY (H)	208 VOLTS (LINE-LINE)
SECONDARY (X)	208 VOLTS (LINE-LINE)
	120 VOLTS (LINE-NEUTRAL)

ELECTROSTATIC GROUND SHIELD IN EACH PHASE



JUMPER CONNECTION	
TAP	VOLTS
1	218
2	213
3	208
4	205
5	196
6	191
7	187

### COIL TAP ARRANGEMENT



ENCLOSURE TYPE 2 (IP30). RAINPROOF TYPE 3R ENCLOSURE (IP32) WHEN PROVIDED SHIELD 9T18Y4317G06

Outline: 303B900AAP007

INSPECTION &  
FINAL TEST  
N731&

BEFORE HANDLING, INSTALLING AND OPERATING, SEE INSTRUCTION 475A667AAP001  
ALUMINUM CONDUCTOR PRIMARY: 10 KV BIL SECONDARY: 10 KV BIL

IN ACCORDANCE WITH NEC SECTION 450-9, ALLOW AT LEAST SIX INCHES  
CLEARANCE FOR VENTILATION. CHECK ADDITIONAL NEC AND LOCAL CODES.

080107

NET WGT  
505 LB

Assembled in Mexico 955



\*1M000000\*



\*2M000000\*



\*2M000000\*