



Transformer

Catalog Number

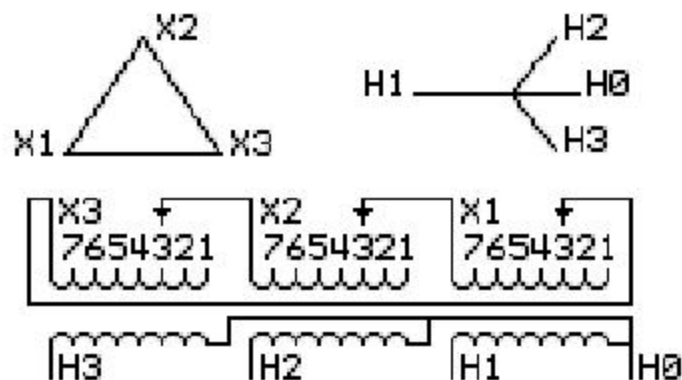
TYPE QL

9T23B3803

45.0 KVA 60 HZ 3 PH 5 % IMP

40 C AMB. 150 C RISE 220 C SYSTEM IS-19C

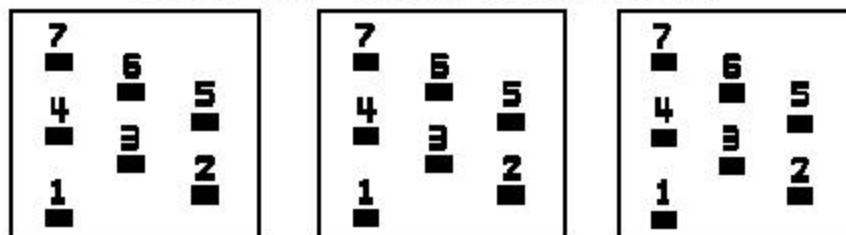
PRIMARY (X) 208 VOLTS (LINE-LINE)
 SECONDARY (H) 480 VOLTS (LINE-LINE)
 277 VOLTS (LINE-NEUTRAL)



JUMPER CONNECTION

TAP	VOLTS
1	218
2	215
3	208
4	201
5	198
6	191
7	188

COIL TAP ARRANGEMENT



LISTED 769G

ENCLOSURE TYPE 2 (IP30). RAINPROOF TYPE 3R ENCLOSURE (IP32) WHEN PROVIDED SHIELD 9T18Y4317G05

Outline: 303B900AAP005

INSPECTION &
FINAL TEST
N731&

BEFORE HANDLING, INSTALLING AND OPERATING, SEE INSTRUCTION 475A667AAP001
ALUMINUM CONDUCTOR PRIMARY: 10 KV BIL SECONDARY: 10 KV BIL

IN ACCORDANCE WITH NEC SECTION 450-9, ALLOW AT LEAST SIX INCHES
CLEARANCE FOR VENTILATION. CHECK ADDITIONAL NEC AND LOCAL CODES.

080107

NET WGT
365 LB

958

Assembled in Mexico



1M000000



2M000000



2M000000