



Transformer

Catalog Number

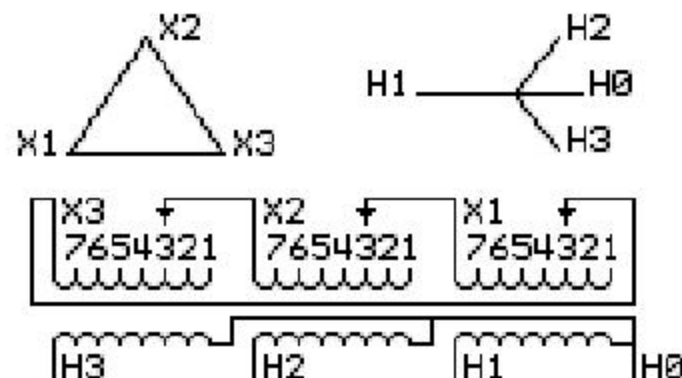
TYPE QL

9T23B3804

75.0 KVA 60 HZ 3 PH 5.4 % IMP

40 C AMB. 150 C RISE 220 C SYSTEM IS-19C

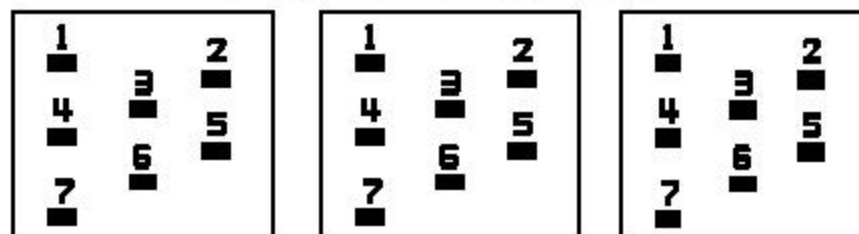
PRIMARY (X) 208 VOLTS (LINE-LINE)
 SECONDARY (H) 480 VOLTS (LINE-LINE)
 277 VOLTS (LINE-NEUTRAL)



JUMPER CONNECTION

TAP	VOLTS
1	217
2	213
3	208
4	203
5	199
6	194
7	185

COIL TAP ARRANGEMENT



LISTED 769G

ENCLOSURE TYPE 2 (IP30). RAINPROOF TYPE 3R ENCLOSURE (IP32) WHEN PROVIDED SHIELD 9T18Y4317G06

Outline: 303B900AAP007

INSPECTION &
FINAL TEST
N731&

BEFORE HANDLING, INSTALLING AND OPERATING, SEE INSTRUCTION 475A667AAP001
ALUMINUM CONDUCTOR PRIMARY: 10 KV BIL SECONDARY: 10 KV BIL

IN ACCORDANCE WITH NEC SECTION 450-9, ALLOW AT LEAST SIX INCHES
CLEARANCE FOR VENTILATION. CHECK ADDITIONAL NEC AND LOCAL CODES.

080107

NET WGT
505 LB

1093

Assembled in Mexico



1M0000000



2M0000000



2M0000000