

GE Consumer & Industrial  
Electrical Distribution



# TransforMore™

The transformation of dry type transformers.



imagination at work

smaller  
lighter  
easier

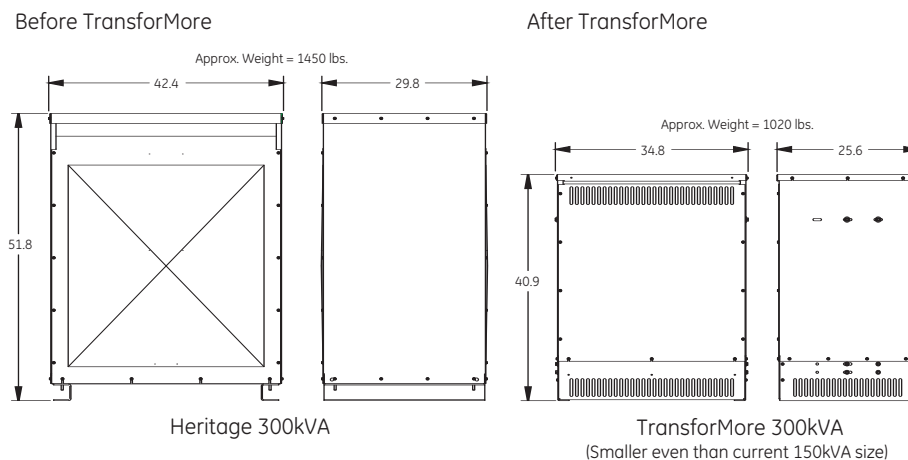
## TransforMore™



GE *TransforMore*™ offers more than standard dry type transformers.

It's about 30% smaller, so **it takes up less room**. It's as much as 40% lighter and features all-around floor access, so **installation is easier**. And its built-in audible noise barrier makes it **quieter** in typical applications.

The *TransforMore*'s safety features deliver greater **peace of mind**. An audible alarm and 3-phase disconnect, controlled by a thermal sensor, operate automatically if the coils overheat due to overload or failure. Terminals allow **remote monitoring** of the fans and audible alarm.



Example: The 300kVA *TransforMore* is 45% smaller and 30% lighter than its predecessor.

## Specification & Ratings

- NEMA AFA dry type transformer
- 600 volts and below (not suitable for reverse connection)
- 220°C insulation system
- 40°C ambient
- Available in 80°C, 115°C and 150°C rise
- Available in 75-1000 kVA
- Aluminum or copper windings
- 10 kV-BIL
- Complies with applicable NEMA standards and IEEE C57; UL Listed (1561)
- Thermal switches calibrated for action at 125°C (fans), 225°C (alarm) and 230°C (disconnect)
- ANSI 61 gray enclosure
- Meets TP-1 energy efficiency standard

## Safety

- UL V0 flammability rating on all components, including fans
- Thermally controlled 3-phase disconnect on primary to protect from overheating
- Terminals allows remote monitoring of fans and audible alarm

## Features

- Smaller than NEMA AA transformers
- Fan-assisted convection cooling
- Built-in rodent guard

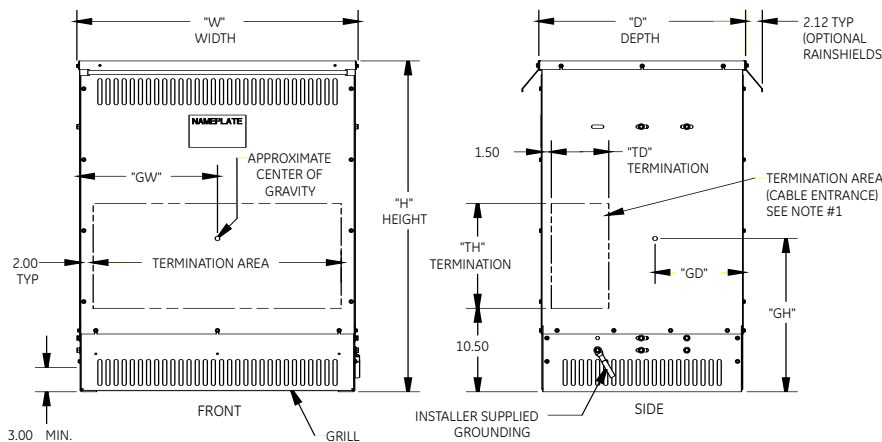
- NEMA Type 2 enclosure standard, converts to Type 3R when fitted with rain shields
- 2 dB below NEMA guidelines ANSI-C89 when convection cooled and 2 dB below ANSI-C89.2 when fan cooled
- Easier connections (X0-X3 bars and H1-H3 lugs)
- Connection access on bottom, sides and rear; front access for all maintenance
- Requires same spacing from wall as NEMA AA design
- Full standard warranty and support

## Reliability

TransforMore is made using the same materials and processes as those used in GE's heritage transformers – including the same UL approved 220°C insulation system – and that have been proven by over 20 years of experience and insulation testing. Every TransforMore is 100% tested for Induce, Hi-potential, Open Circuit Voltages, Impedance and Losses. TransforMore transformers are UL Listed to meet or exceed all applicable tests.

TransforMore features 6 fans that, based on GE's accelerated life tests for a worst-case scenario, demonstrate a life of at least 20 years. This estimate is based on fans cycling on and off 16 times per day (the worst case) in an environment of constant maximum ambient temperature.

## Dimensions



### NOTES:

- 1) SIDE CABLE ENTRANCE OUTSIDE OF THIS AREA IS NOT RECOMMENDED. USE CAUTION TO AVOID INTERFERENCE WITH INTERNAL COMPONENTS.
- 2) FOR CRANE LIFTING: REMOVE THE TOP COVER AND USE THE 1.00" OR 1.50" DIA. HOLES IN THE TOP CLAMPS.
- 3) FOR FORK OR PALLET JACK LIFTING: RAISE AND REINSTALL THE FRONT AND REAR LOWER GRILLS. CLEARANCE BETWEEN FLOOR AND BOTTOM OF GRILL EQUALS 3.00 INCHES MINIMUM WITH GRILLS MOUNTED IN THE RAISED POSITION. GRILLS MUST BE RETURNED TO THE LOWER MOUNTING POSITION BEFORE ENERGIZING TRANSFORMER.
- 4) "REF KVA" IS FOR UNITS RATED AT 150° C RISE AND 60 Hz.
- 5) DIMENSIONS ARE IN INCHES.
- 6) DISCONNECT SWITCH LUG SIZE PER FOLLOWING PART NUMBER:  
 P077 - 2/0-600 (1) TOTAL, 6-250 (1) TOTAL OR TWIN 2/0-250 Kcmil CU OR AL  
 P078 - 4/0-350 Kcmil CU OR 300-500 Kcmil AL (2) TOTAL  
 P079 - 3/0-500 Kcmil CU OR AL (3) TOTAL  
 P068 - 3/0-500 Kcmil CU OR AL (3) TOTAL

SIZE	REF. KVA	APPROX. WT. (LBS.)		MAXIMUM ENVELOPE			MOUNTING		TERMINATION		APPROXIMATE CENTER OF GRAVITY			BOTTOM CABLE ENTRY		LUGS PER PHASE
		AL	CU	"H"	"W"	"D"	"MW"	"MD"	"TH"	"TD"	"GH"	"GW"	"GD"	"N"	"P"	
FC77	225	845	976	37.3	29.5	28.5	26.4	23.0	9.0	8.0	17.0	14.4	11.5	4.3	16.7	1
FC78	300	1020	1160	40.9	34.8	25.6	31.6	20.0	12.5	6.5	20.0	17.4	10.5	3.8	22.0	1
FC79	500	1585	1780	45.4	38.5	33.6	35.2	27.0	10.0	11.5	20.5	18.9	12.8	7.5	22.5	1
FC68	1000	3250	4030	57.5	47.5	40.0	44.0	31.0	20.0	9.5	26.0	23.7	16.0	4.3	34.4	2

**TransforMore Dry Type Transformers**  
 Aluminum & copper wound, general purpose  
 480-208Y/120

Aluminum wound general purpose

kVA	150°C			115°C			80°C		
	Cat. No.	Size	List Price, GO-66KG	Cat. No.	Size	List Price, GO-66KG	Cat. No.	Size	List Price, GO-66KG
112.5	-	-	-	-	-	-	9T40G0005G81	FC77	\$17,337.00
150	9T40G0006	FC77	\$12,740.00	9T40G0006G51	FC77	\$23,702.00	9T40G0006G81	FC77	25,768.00
225	9T40G0007	FC77	16,244.00	9T40G0007G51	FC78	28,009.00	9T40G0007G81	FC78	40,968.00
300	9T40G0008	FC78	26,595.00	9T40G0008G51	FC79	43,481.00	9T40G0008G81	FC79	47,262.00
500	9T40G0009	FC79	38,930.00	9T40G0009G51	FC68	68,175.00	9T40G0009G81	FC68	61,750.00
750	9T40G0010	FC68	69,350.00	9T40G0010G51	FC68	77,200.00	9T40G0010G81	FC68	124,436.85
1000	9T40G0011	FC68	104,345.00	-	-	-	-	-	-

Copper wound general purpose

kVA	150°C			115°C			80°C		
	Cat. No.	Size	List Price, GO-66KGC	Cat. No.	Size	List Price, GO-66KGC	Cat. No.	Size	List Price, GO-66KGC
112.5	-	-	-	-	-	-	9T45G0005G81	FC77	\$21,968.00
150	9T45G0006	FC77	\$22,419.00	9T45G0006G51	FC77	\$25,782.00	9T45G0006G81	FC77	28,024.00
225	9T45G0007	FC77	34,899.00	9T45G0007G51	FC78	40,203.00	9T45G0007G81	FC78	43,699.00
300	9T45G0008	FC78	40,659.00	9T45G0008G51	FC79	46,758.00	9T45G0008G81	FC79	50,824.00
500	9T45G0009	FC79	52,819.00	9T45G0009G51	FC68	60,742.00	9T45G0009G81	FC68	66,025.00
750	9T45G0010	FC68	79,800.00	9T45G0010G51	FC68	95,200.00	9T45G0010G81	FC68	147,768.75*
1000	9T45G0011	FC68	95,760.00	-	-	-	-	-	-

\* GO-67AGC

**TransforMore Dry Type Transformers**  
 Aluminum wound K factor  
 All K factor transformers include a copper electrostatic shield

K4

kVA	150°C			115°C			80°C		
	Cat. No.	Size	List Price, GO-67D	Cat. No.	Size	List Price, GO-67D	Cat. No.	Size	List Price, GO-67D
75	-	-	-	-	-	-	9T44G0004G83	FC77	\$18,336.00
112.5	9T44G0005G03	FC77	\$18,455.00	9T44G0005G53	FC77	\$21,873.00	9T44G0005G83	FC77	24,607.00
150	9T44G0006G03	FC77	23,848.00	9T44G0006G53	FC77	28,264.00	9T44G0006G83	FC78	31,797.00
225	9T44G0007G03	FC78	32,050.00	9T44G0007G53	FC78	37,986.00	9T44G0007G83	FC79	42,733.76
300	9T44G0008G03	FC79	44,469.00	9T44G0008G53	FC79	52,704.00	9T44G0008G83	FC68	59,292.00
500	9T44G0009G03	FC68	69,996.00	9T44G0009G53	FC68	82,958.00	9T44G0009G83	FC68	93,328.00
750	9T44G0010G03	FC68	\$104,994.00	-	-	-	-	-	-

K13

kVA	150°C			115°C			80°C		
	Cat. No.	Size	List Price, GO-67D	Cat. No.	Size	List Price, GO-67D	Cat. No.	Size	List Price, GO-67D
75	-	-	-	-	-	-	9T41G0004G83	FC77	\$19,354.00
112.5	9T41G0005G03	FC77	\$18,902.00	9T41G0005G53	FC77	\$23,240.00	9T41G0005G83	FC77	25,974.00
150	9T41G0006G03	FC77	25,615.00	9T41G0006G53	FC77	30,031.00	9T41G0006G83	FC78	33,564.00
225	9T41G0007G03	FC78	34,424.00	9T41G0007G53	FC78	40,360.00	9T41G0007G83	FC79	45,108.00
300	9T41G0008G03	FC79	47,763.00	9T41G0008G53	FC79	55,998.00	9T41G0008G83	FC68	62,586.00
500	9T41G0009G03	FC68	75,181.00	-	FC68	-	-	-	-

K20

kVA	150°C			115°C			80°C		
	Cat. No.	Size	List Price, GO-67D	Cat. No.	Size	List Price, GO-67D	Cat. No.	Size	List Price, GO-67D
75	-	-	-	-	-	-	9T42G0004G83	FC77	\$22,410.08
112.5	9T42G0005G03	FC77	\$23,923.00	9T42G0005G53	FC77	\$27,340.74	9T42G0005G83	FC77	30,074.81
150	9T42G0006G03	FC77	30,914.13	9T42G0006G53	FC77	35,330.43	9T42G0006G83	FC78	38,863.47
225	9T42G0007G03	FC78	41,546.71	9T42G0007G53	FC78	47,481.96	9T42G0007G83	FC79	52,230.15
300	9T42G0008G03	FC79	57,645.00	9T42G0008G53	FC79	65,880.45	-	-	-

K30

kVA	150°C			115°C			80°C		
	Cat. No.	Size	List Price, GO-67D	Cat. No.	Size	List Price, GO-67D	Cat. No.	Size	List Price, GO-67D
75	-	-	-	-	-	-	9T43G0004G83	FC77	\$23,938.04
112.5	9T43G0005G03	FC77	\$25,973.70	9T43G0005G53	FC77	\$29,391.29	9T43G0005G83	FC78	34,175.92
150	9T43G0006G03	FC78	33,563.91	9T43G0006G53	FC78	37,980.21	9T43G0006G83	FC78	41,513.25
225	9T43G0007G03	FC79	45,107.86	9T43G0007G53	FC68	51,043.10	-	-	-

**TransforMore Dry Type Transformers**  
 Copper wound K factor  
 All K factor transformers include a copper electrostatic shield

K4

kVA	150°C			115°C			80°C		
	Cat. No.	Size	List Price, GO-67DC	Cat. No.	Size	List Price, GO-67DC	Cat. No.	Size	List Price, GO-67DC
112.5	-	-	-	9T49G0005G53	FC77	\$28,024.00	9T49G0005G83	FC77	\$30,758.00
150	9T49G0006G03	FC77	\$31,797.00	9T49G0006G53	FC77	36,214.00	9T49G0006G83	FC77	39,747.00
225	9T49G0007G03	FC78	42,734.00	9T49G0007G53	FC78	48,669.00	9T49G0007G83	FC78	53,417.00
300	9T49G0008G03	FC79	59,292.00	9T49G0008G53	FC79	67,527.00	9T49G0008G83	FC79	74,116.00
500	9T49G0009G03	FC68	101,104.94	9T49G0009G53	FC68	114,067.00	9T49G0009G83	FC68	124,436.00
750	9T49G0010G03	FC68	151,657.41	9T49G0010G53	FC68	171,100.00	-	-	-

K13

kVA	150°C			115°C			80°C		
	Cat. No.	Size	List Price, GO-67DC	Cat. No.	Size	List Price, GO-67DC	Cat. No.	Size	List Price, GO-67DC
112.5	-	-	-	9T46G0005G53	FC77	\$29,391.00	9T46G0005G83	FC77	\$32,125.00
150	9T46G0006G03	FC77	\$33,564.00	9T46G0006G53	FC77	37,980.00	9T46G0006G83	FC78	41,513.00
225	9T46G0007G03	FC78	45,108.00	9T46G0007G53	FC78	51,043.00	9T46G0007G83	FC79	55,791.00
300	9T46G0008G03	FC79	62,586.00	9T46G0008G53	FC79	70,821.00	9T46G0008G83	FC68	82,350.56
500	9T46G0009G03	FC68	106,290.00	9T46G0009G53	FC68	119,251.98	-	-	-

K20

kVA	150°C			115°C			80°C		
	Cat. No.	Size	List Price, GO-67DC	Cat. No.	Size	List Price, GO-67DC	Cat. No.	Size	List Price, GO-67DC
75	-	-	-	9T47G0004G53	FC77	\$24,956.68	9T47G0004G83	FC77	\$26,993.96
112.5	9T47G0005G03	FC77	\$30,074.81	9T47G0005G53	FC77	33,492.00	-	-	-
150	9T47G0006G03	FC77	38,863.47	9T47G0006G53	FC77	43,279.78	9T47G0006G83	FC78	46,812.82
225	9T47G0007G03	FC78	52,230.15	9T47G0007G53	FC79	58,165.40	-	-	-
300	9T47G0008G03	FC79	72,468.49	9T47G0008G53	FC68	80,703.55	-	-	-

K30

kVA	150°C			115°C			80°C		
	Cat. No.	Size	List Price, GO-67DC	Cat. No.	Size	List Price, GO-67DC	Cat. No.	Size	List Price, GO-67DC
75	-	-	-	9T48G0004G53	FC77	\$26,484.64	9T48G0004G83	FC77	\$28,522.00
112.5	9T48G0005G03	FC77	\$32,125.37	9T48G0005G53	FC77	35,542.96	9T48G0005G83	FC77	38,277.03
150	9T48G0006G03	FC77	41,513.25	9T48G0006G53	FC78	45,929.56	9T48G0006G83	FC78	49,462.60
225	9T48G0007G03	FC79	55,791.30	9T48G0007G53	FC79	61,726.54	-	-	-

## TransforMore Dry Type Transformers Kits & Parts

Weathershield kits to convert to NEMA 3R outdoor enclosures

Transformer Size	Dimensions (inches, H x W x D)	Kit Part No.	List Price, GO-66C
FC77	34.3 x 30.5 x 28.5	9T18Y4322G77	<b>\$359.00</b>
FC78	40.9 x 34.8 x 25.6	9T18Y4322G78	<b>359.00</b>
FC79	45.4 x 38.5 x 33.6	9T18Y4322G79	<b>359.00</b>
FC68	57.5 x 47.5 x 40.0	9T18Y4322G68	<b>359.00</b>

Enclosure replacement parts

Description	Size FC77		Size FC78		Size FC79		Size FC68	
	Cat. No.	List Price, GO-66C	Cat. No.	List Price, GO-66C	Cat. No.	List Price, GO-66C	Cat. No.	List Price, GO-66C
Enclosure cover	9T18Y4501G77	<b>\$182.00</b>	9T18Y4501G78	<b>\$191.00</b>	9T18Y4501G79	<b>\$244.00</b>	9T18Y4501G68	<b>\$324.00</b>
Enclosure front/back	9T18Y4502G77	<b>274.00</b>	9T18Y4502G78	<b>319.00</b>	9T18Y4502G79	<b>418.00</b>	9T18Y4502G68	<b>495.00</b>
Enclosure grill	9T18Y4503G77	<b>96.00</b>	9T18Y4503G78	<b>120.00</b>	9T18Y4503G79	<b>132.00</b>	9T18Y4503G68	<b>234.00</b>
Bottom pan	9T18Y4504G77	<b>164.00</b>	9T18Y4504G78	<b>176.00</b>	9T18Y4504G79	<b>233.00</b>	9T18Y4504G68	<b>271.00</b>
Enclosure side	9T18Y4505G77	<b>380.00</b>	9T18Y4505G78	<b>424.00</b>	9T18Y4505G79	<b>512.00</b>	9T18Y4505G68	<b>585.00</b>
Fan assembly	9T18Y4507G77	<b>639.00</b>	9T18Y4507G78	<b>648.00</b>	9T18Y4507G79	<b>650.00</b>	9T18Y4507G68	<b>775.00</b>
Isomode pads	9T18Y4508G77	<b>31.00</b>	9T18Y4508G78	<b>31.00</b>	9T18Y4508G79	<b>112.00</b>	9T18Y4508G68	<b>112.00</b>

**GE Consumer & Industrial**  
41 Woodford Avenue, Plainville, CT 06062  
[www.geelectrical.com](http://www.geelectrical.com)  
© 2007 General Electric Company



imagination at work