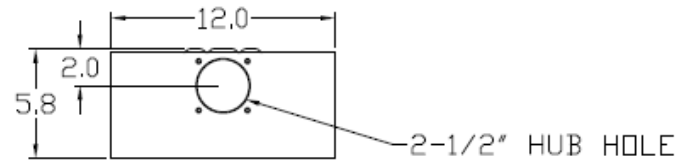


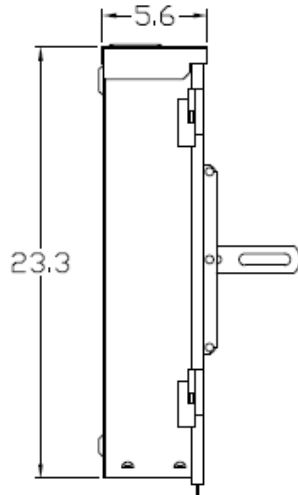
Top View



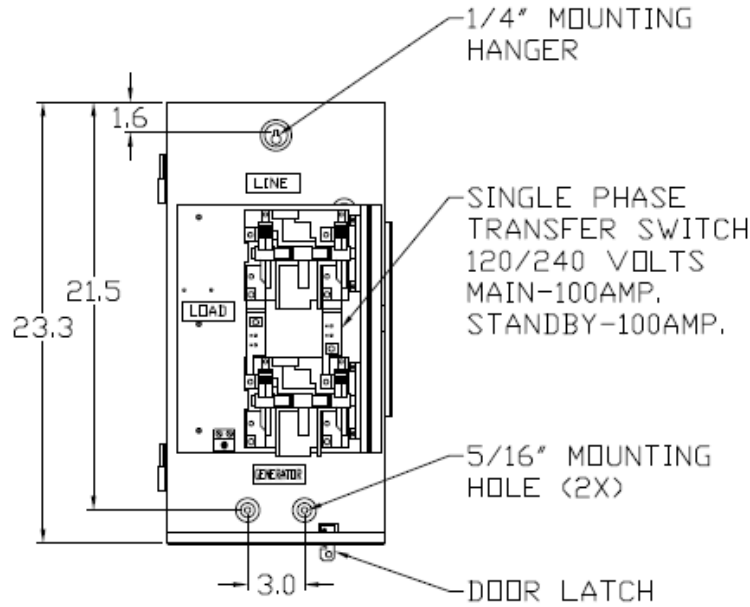
Notes

- USE TWO #10 - 1/0 MCM CU/AL WIRE PER LUG FOR 100 AMP SWITCH
- EQUIP, GRD.-#12-#2 CU/AL

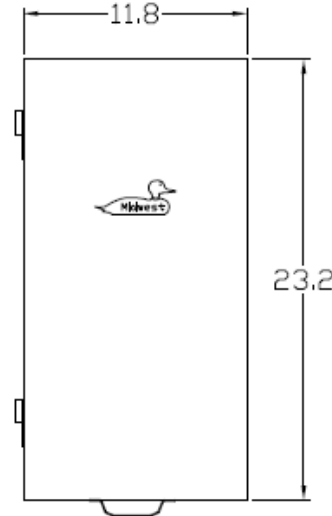
Left Side View



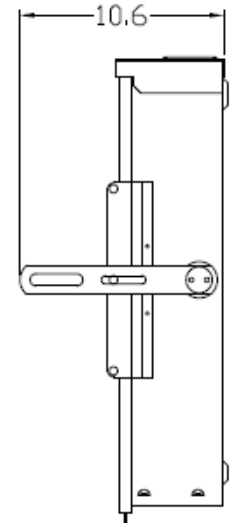
Front View Internal



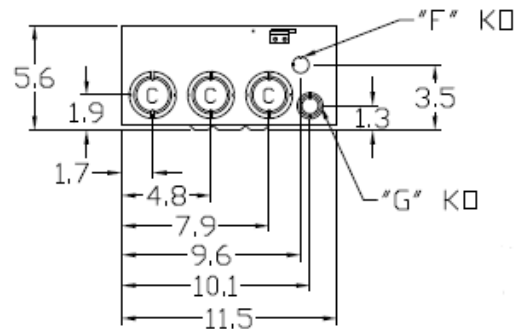
Front View External



Right Side View



Bottom View



Wire Range

(1) #12 - 1/0 (AL/CU)

Knockouts

C= 1-1/4", 1-1/2", 2" KO
F= 1/2" KO
G= 1/2", 3/4", 1" KO

MIDWEST HD TRANSFER SWITCH 2P 10K 100A MAIN
100A STANDBY 1PH 120/240V N3R G90 STEEL ENCL

CAT NO	DWG DATE	REV #
GS1101B12UL	03/03/2017	01