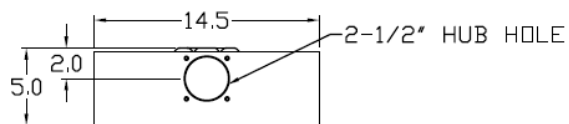


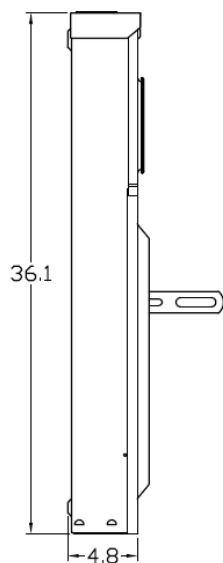
Top View



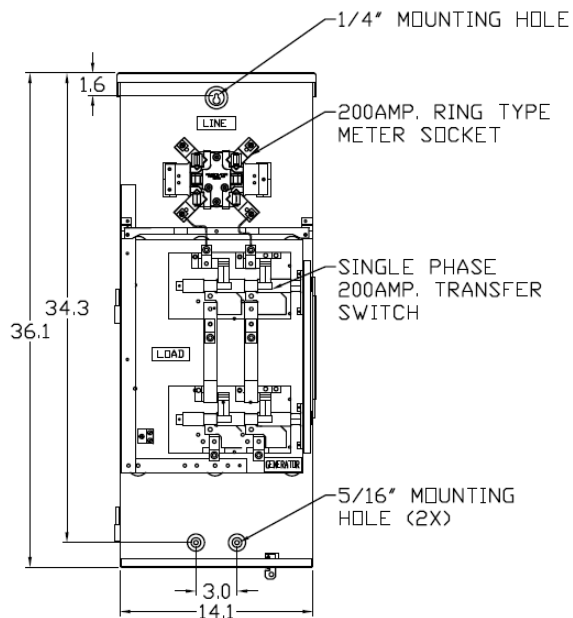
Notes

- USE ONE #10-1/0 CU/AL WIRE PER LUG FOR 100 AMP SWITCH AND #6-250MCM CU/AL WIRE PER LUG FOR 200 AMP SWITCH
- EQUIP. GRD.-#12-2 CU/AL

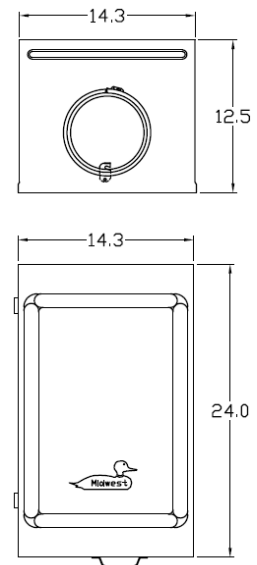
Left Side View



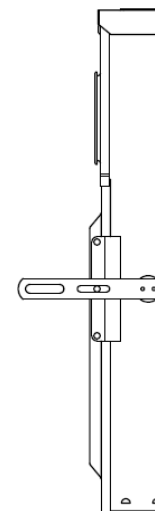
Front View Internal



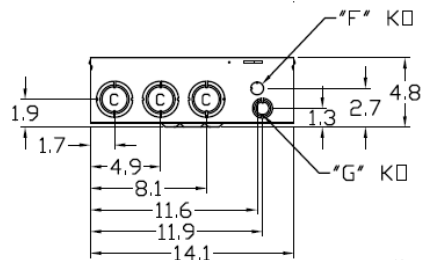
Front View External



Right Side View



Bottom View



Wire Range

(1) #6-350MCM (AL/CU)

Knockouts

C= 1-1/4", 1-1/2", 2" KØ
F= 1/2" KØ
G= 1/2", 3/4", 1" KØ

MIDWEST HD TRANSFER SWITCH+METER SKT 2P 10K 200A
MAIN 200A STANDBY 1PH 120/240V N3R G90 STEEL ENCL

CAT NO	DWG DATE	REV #
GS1202B20M	03/23/2017	01