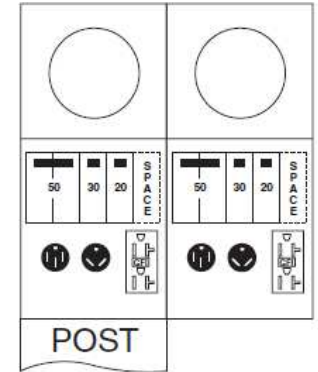


Configuration



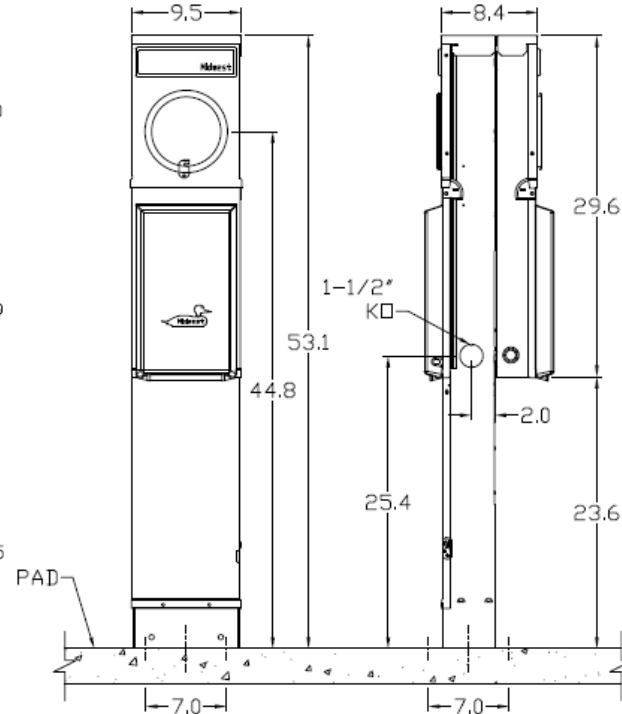
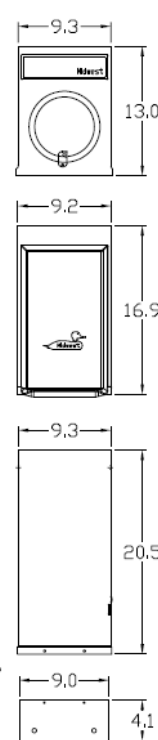
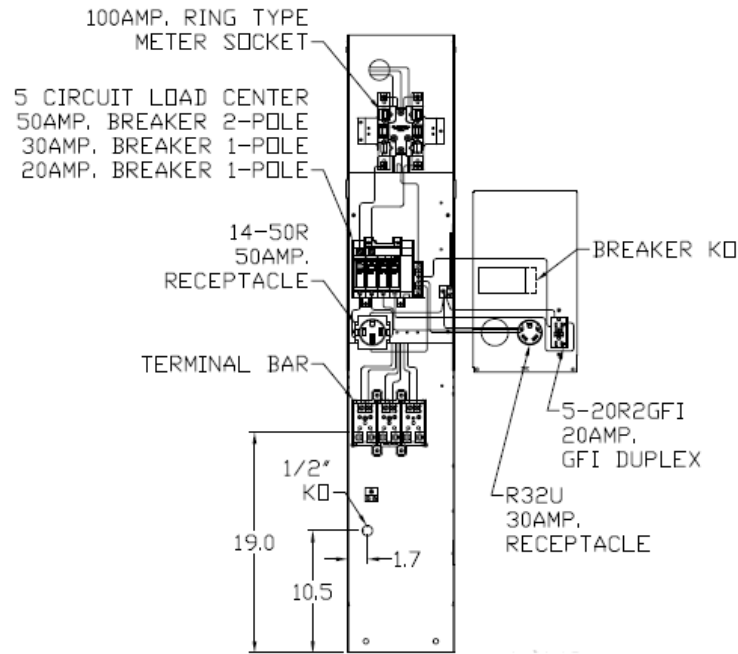
Front View Interior

Front View Inside Covers

Front View External Covers

Front View External

Side View



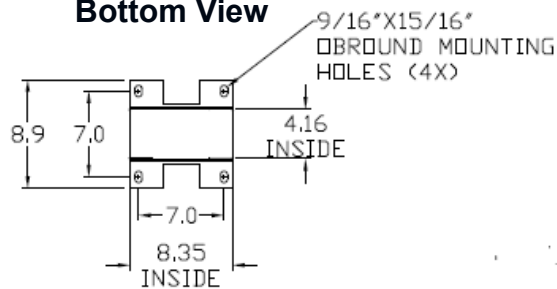
Receptacles

BR54U
R32U
5-20R2GFCI

Circuit Protection

THQL2150
THQL1130
THQL1120, (1) SPACE

Bottom View



Wire Range Size

CONNECTOR	COPPER		ALUMINUM	
	SOLID	STRAND	SOLID	STRAND
LINE	---	6-1/0	---	6-1/0
LOAD	14-10	14-10	---	---
NEUTRAL <small>LARGE HOLE</small>	12-8	12-1/0	10-8	10-1/0
NEUTRAL <small>SMALL HOLE</small>	14-8	14-4	12-8	12-4
<small>POST LINE CONNECTORS SUITABLE FOR LOOP FEED</small>	#6-350	KCMIL	#6-350	KCMIL
EQUIP. GRND. POST	14-2/0	14-2/0	14-2/0	14-2/0

NOTES: PAD MOUNTED POST



MIDWEST METALLIC 100A PAD MOUNTED PEDESTAL BACK-TO-BACK METER 50/30/20A REC 120/240V 1PH UL LISTED

CAT NO	DWG DATE	REV #
M075CB4010	04/25/2017	01