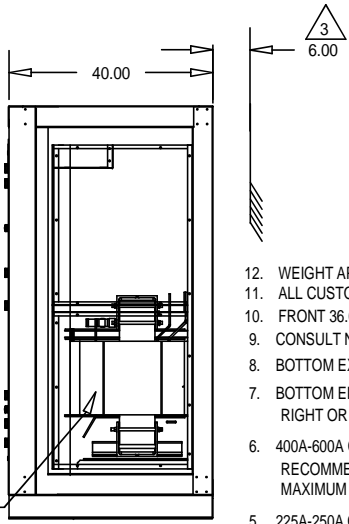
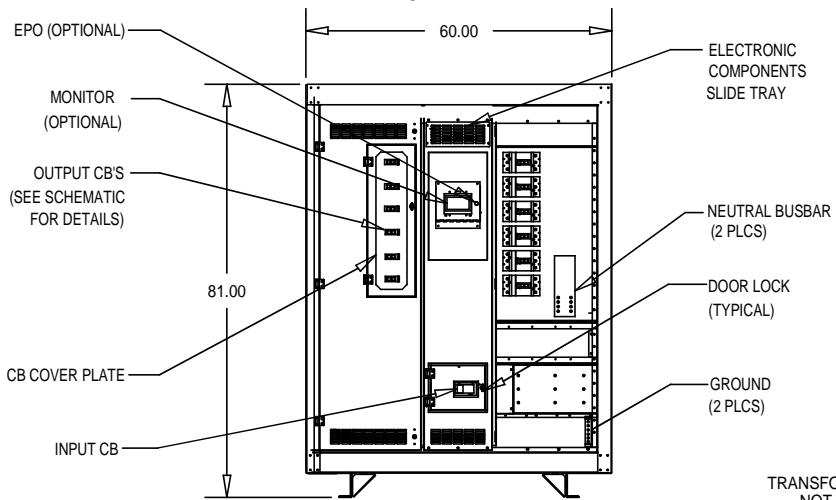
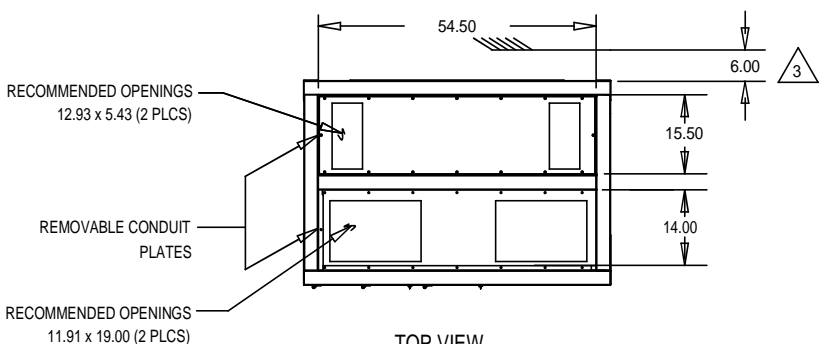
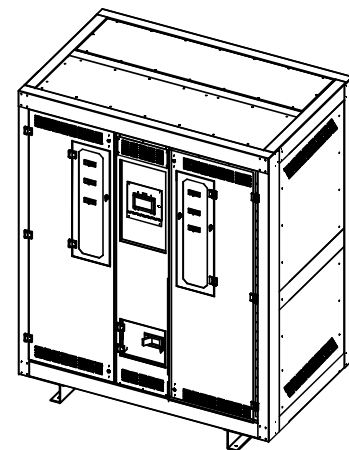


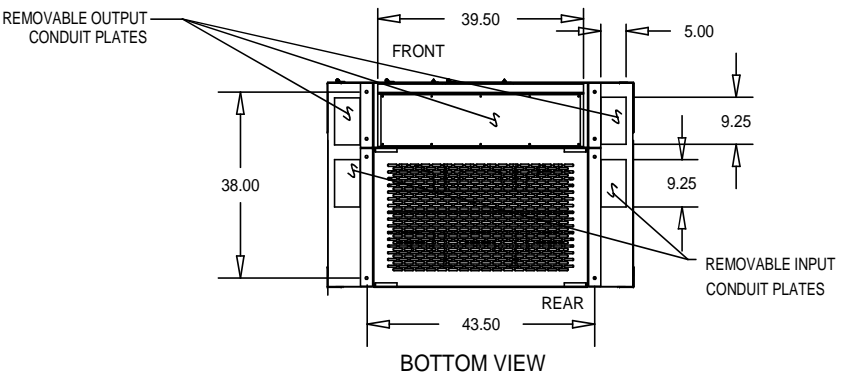
500 KVA GE ZENITH SERIES MDU - HIGH POWER


REVISIONS				
REV	SHT	DESCRIPTION	DATE	APPROVED
X0	---	INITIAL SUBMITTAL DRAWING	01-22-13	CAR



12. WEIGHT APPROX. 4500 LBS. MAX.
 11. ALL CUSTOMER SUPPLIED CABLE CONNECTION BASED ON 75°C COPPER WIRE.
 10. FRONT 36.00 IN. CLEARANCE REQUIRED FOR MAINTENANCE.
 9. CONSULT NEC AND LOCAL REGULATIONS.
 8. BOTTOM EXIT STANDARD. TOP EXIT DEPENDING ON CONFIGURATION.
 7. BOTTOM ENTRY STANDARD ADDED. TOP ENTRY WITH SIDE BUSBARS OPTIONAL: RIGHT OR LEFT SIDE.
 6. 400A-600A CB OUTPUT CB MAX CABLE SIZE:
RECOMMENDED: (2) X 4/0, 400A CB, (2) X 350MCM 600A CB.
MAXIMUM CONDUIT SIZE: (2) 2-1/2 IN. 400A CB, (2) 3.00 IN. 600A CB.
 5. 225A-250A CB OUTPUT CB MAX CABLE SIZE:
RECOMMENDED: (1) X 4/0, 225A CB, (1) X 250MCM FOR 250A CB.
MAXIMUM CONDUIT SIZE: (1) 2-1/2 IN. 225A CB, (1) 3.00 IN. FOR 250A CB.
 4. INPUT CB MAX CABLE SIZE:
RECOMMENDED: (3) X 300MCM
MAXIMUM CONDUIT SIZE: (3) 3.00 IN.
- 3** SIDE AND REAR 6.00 IN. CLEARANCE REQUIRED FOR VENTILATION.
2. PDU COLOR: IBM PEARL WHITE.
 1. ALL DIMENSIONS ARE IN INCHES.

NOTE: UNLESS OTHERWISE SPECIFIED.



THIS DRAWING CONTAINS CONFIDENTIAL & PROPRIETARY INFORMATION AND SHALL NOT BE DISCLOSED OR COPIED WITHOUT THE EXPRESSED, WRITTEN PERMISSION OF GENERAL ELECTRIC CO.	TITLE 500 KVA GE ZENITH SERIES MDU HIGH POWER	
	DWG. NUMBER 92-90560-XX1	
	DRAWN BY CAR	REVISION X0
	DATE 1/22/13	
		GE Critical Power