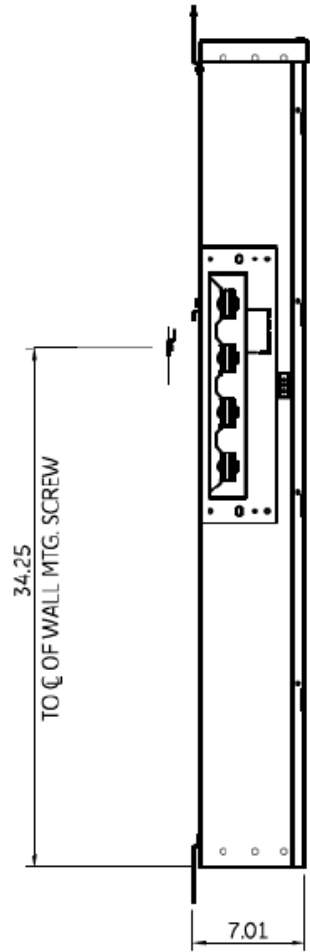
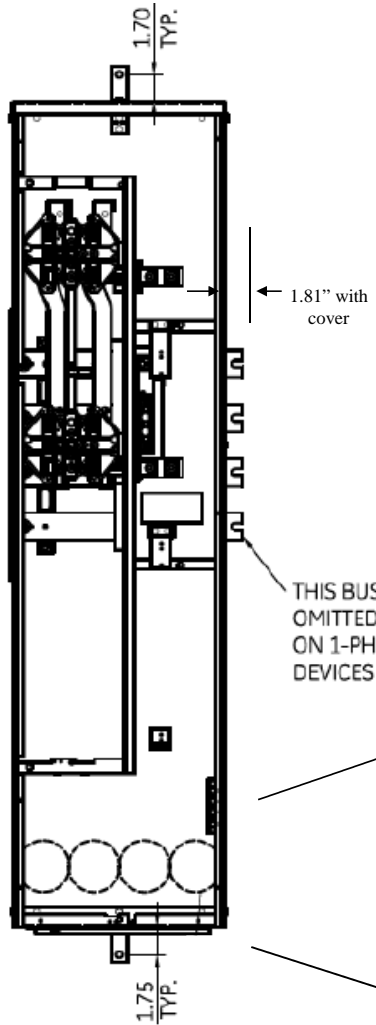


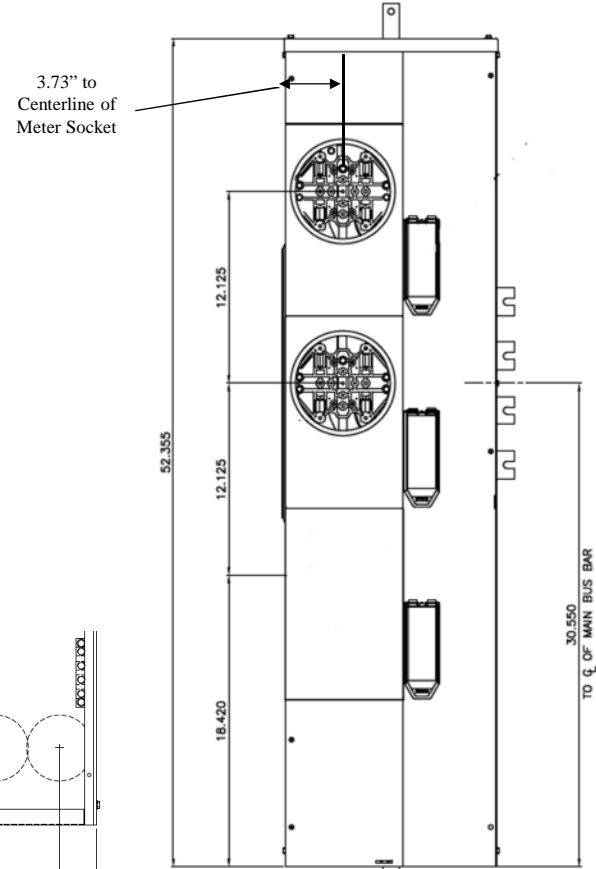
Side View



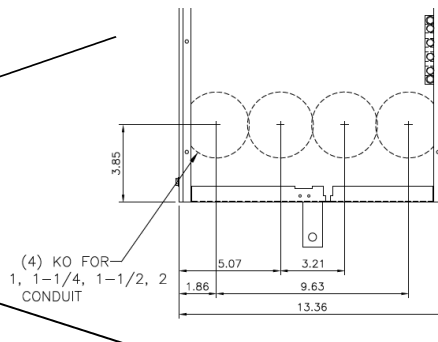
Front View



Front Layout View

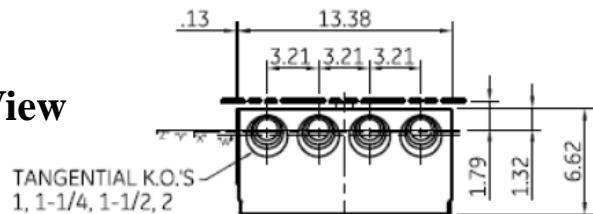


This unit has horned bypass meter sockets
Top view has blank end walls (no knockouts)



(4) KO FOR—
1, 1-1/4, 1-1/2, 2
CONDUIT

Bottom View



TANGENTIAL K.O.'S
1, 1-1/4, 1-1/2, 2

"Z" = ϕ OF 1" RING
"Y" = ϕ OF 1-1/4" RING
"X" = ϕ OF 1-1/2" RING
"W" = ϕ OF 2" RING



METER MOD III – 1PH 800A HORIZONTAL BUSSING N3R ENCL
(2) 200A RINGLESS SOCKETS W/ HORNED BYPASS

REF NO	CAT NO	DWG DATE	REV #
96-4357	TMPR8220RHB	1/8/2015	01