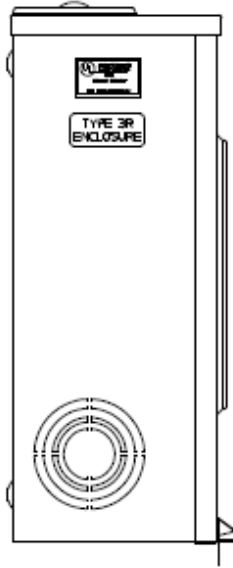
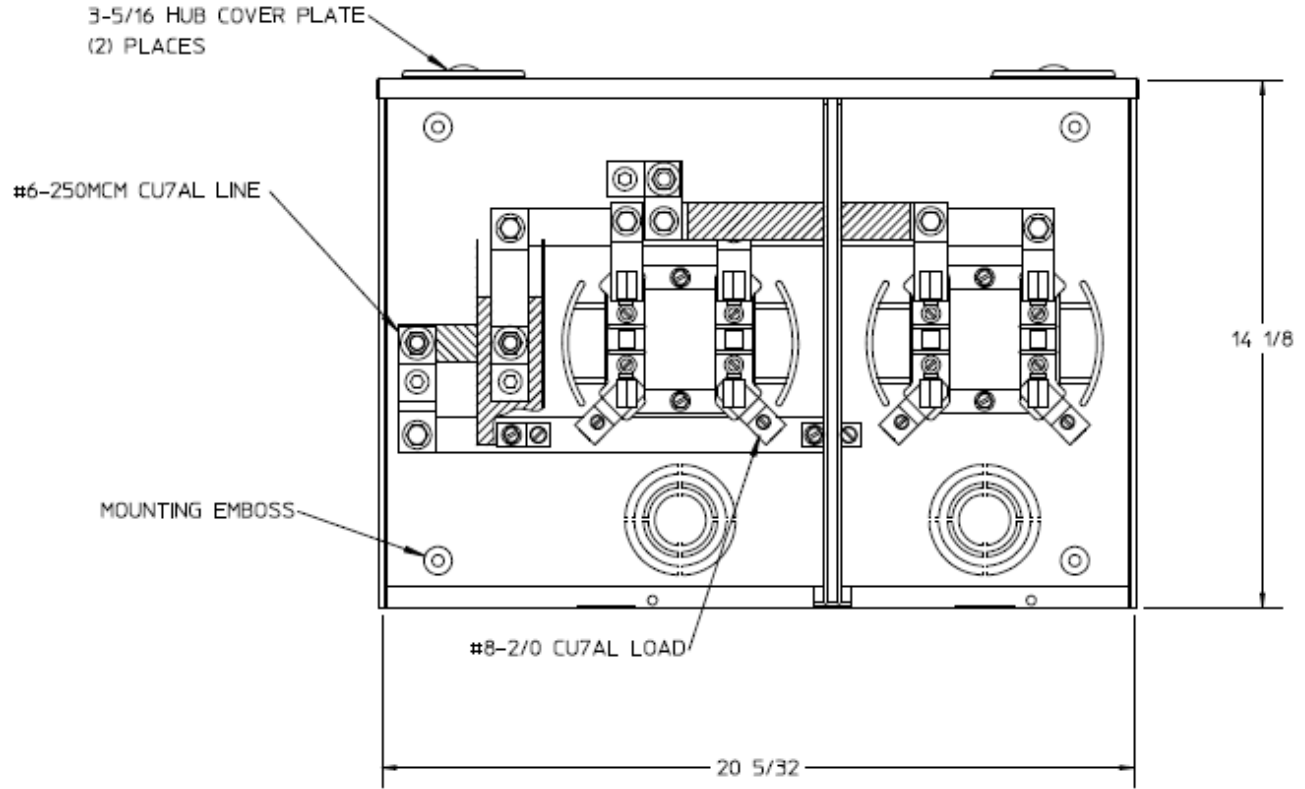


Side View



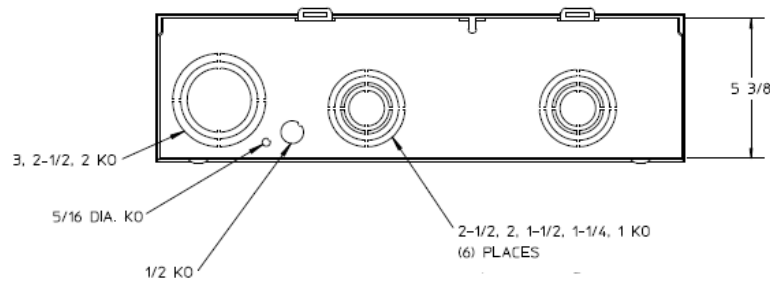

Front View



Notes

- 1) FINISH: GRAY
- 2) CABINET: 16 GA GALV. STEEL
- 3) 100 AMP CONTINUOUS PER POSITION
600 VAC, 1 PHASE, 3-WIRE
200 AMP CONTINUOUS (TOTAL) UNIT RATING
- 4) TEMPORARY CARDBOARD
METER OPENING COVERS PROVIDED
- 5) MIDWEST LABEL ATTACHED TO
THE END OF THE CARTON
- 6) MIDWEST LOGO STAMPED ON LOWER
LEFT HAND CORNER OF FRONTS.

Bottom View

HORIZ GANGED METER SOCKETS-(2) 100A 600V N3R
1P3W (2) HUB CVR PLTS 4-TERM END FED G90

CAT NO	DWG DATE	REV #
U2R1421CMEP	02/09/2016	01