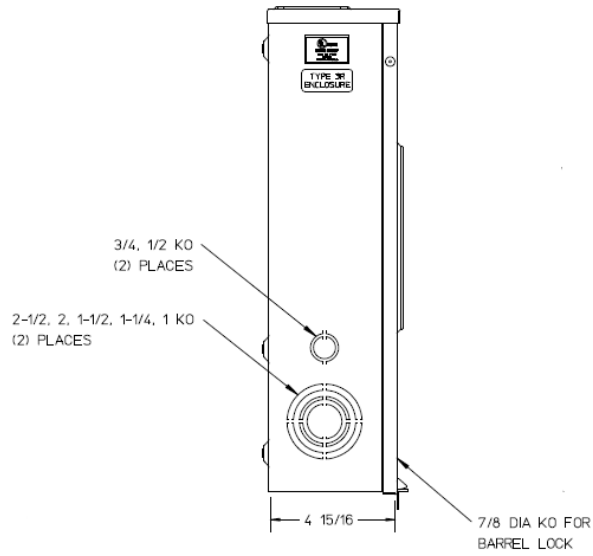
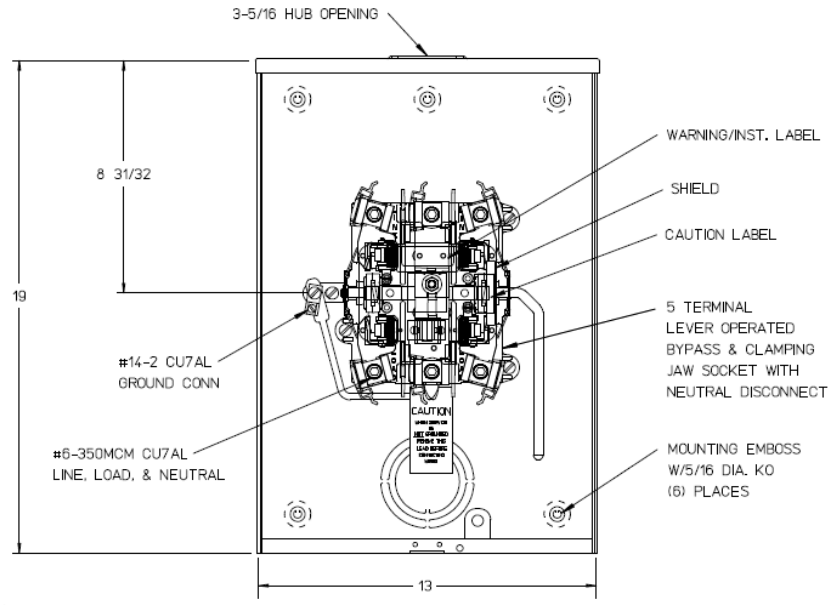


### Left Side View



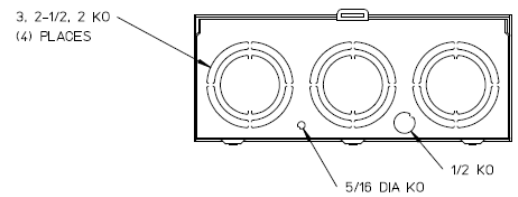

### Front View Interior



### Notes

- 1) FINISH: NATURAL
- 2) CABINET: .080 ALUMINUM
- 3) 200 AMP CONTINUOUS  
600 VAC, 3 PHASE, 3-WIRE  
1 PHASE, 3-WIRE  
NETWORK 3-WIRE  
200 AMP BYPASS
- 4) FOR BROOKS OR INTER-TITE STANDARD  
LENGTH BARREL LOCK IN CONJUNCTION  
WITH BROOKS LOCK GUARDS #885 OR  
#86505, WITH PERMANENTLY WELDED  
BRACKET.
- 5) MIDWEST LABEL ATTACHED TO THE END  
OF CARTON
- 6) TEMPORARY CARDBOARD METER OPENING  
COVER PROVIDED.
- 7) MIDWEST LOGO STAMPED IN THE LOWER  
LEFT-HAND CORNER OF FRONT.

### Bottom View

MTR SOCKET-(1) 200A 600V 1P3W ALUM N3R 3PH 5-TERM LVR  
BYP AEP BARREL LK SMALL HUB OPNG TPX GRD TOP/BOT FED

CAT NO	DWG DATE	REV #
UAFTH5213BNDMEP	04/25/2016	02