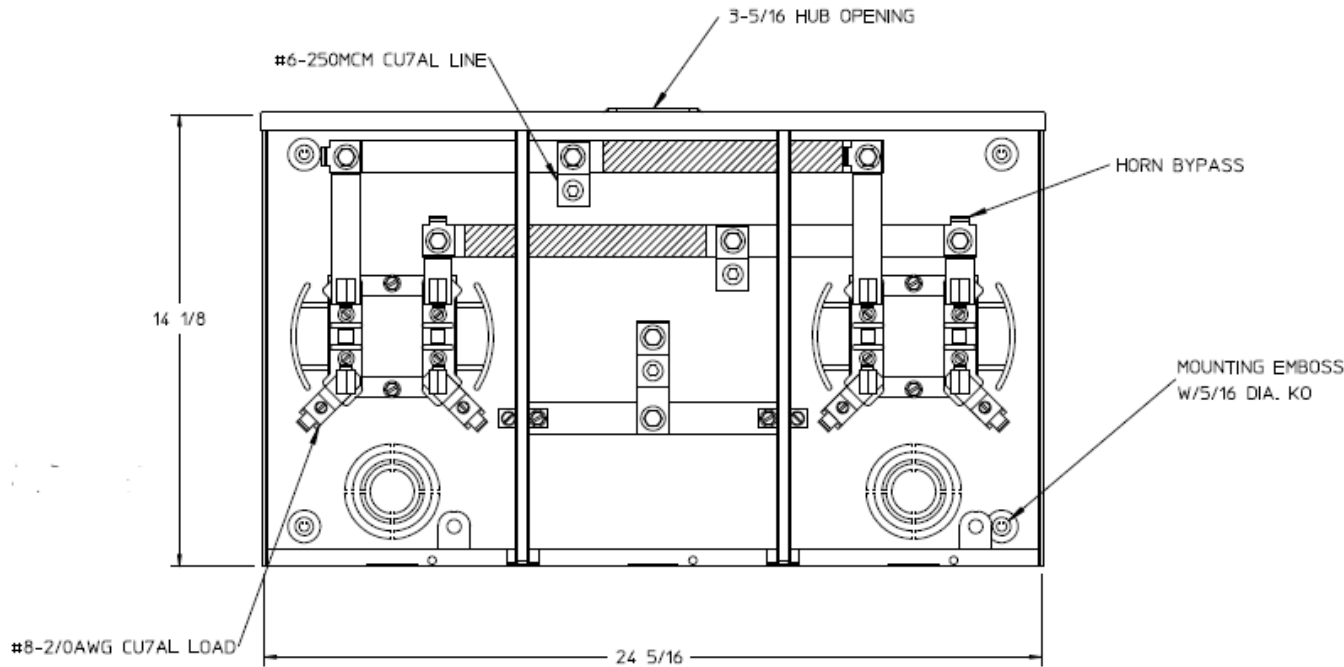
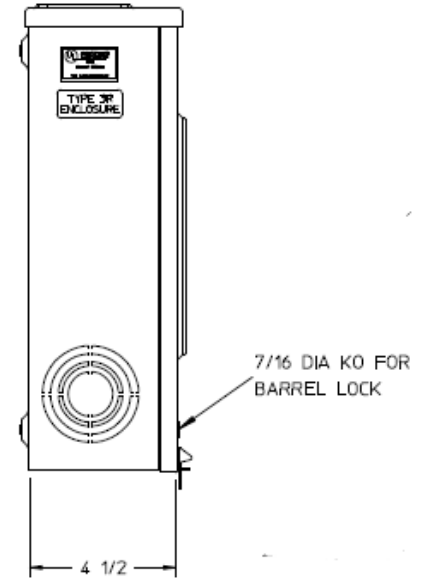


Front View



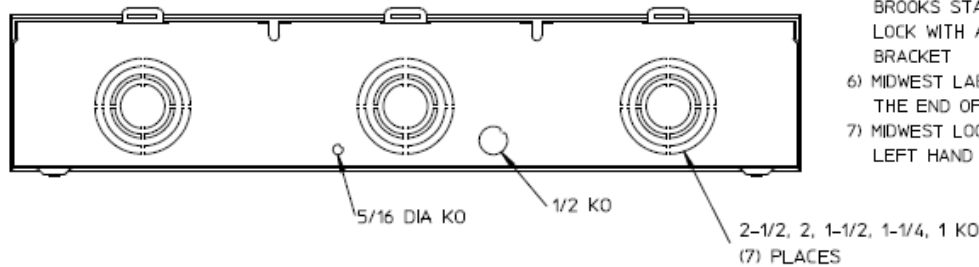
Side View



Notes

- 1) FINISH: GRAY
- 2) CABINET: 16 GA GALV. STEEL
- 3) 100 AMP CONTINUOUS PER POSITION
600 VAC, 1 PHASE, 3-WIRE
200 AMP CONTINUOUS (TOTAL) UNIT RATING
- 4) TEMPORARY CARDBOARD METER
OPENING COVER PROVIDED
- 5) FOR AN EXPOSED INNER-TITE OR
BROOKS STANDARD LENGTH BARREL
LOCK WITH A PERMANENTLY WELDED
BRACKET
- 6) MIDWEST LABEL ATTACHED TO
THE END OF THE CARTON
- 7) MIDWEST LOGO STAMPED ON LOWER
LEFT HAND CORNER OF FRONTS.

Bottom View



HORIZ GANGED METER SOCKETS-(2) 100A 600V N3R 1P3W
HUB OPNG 4-TERM CTR FED AEP HRN BYP BARREL LK G90

CAT NO	DWG DATE	REV #
UBH2R1121BMEP	02/09/2016	01