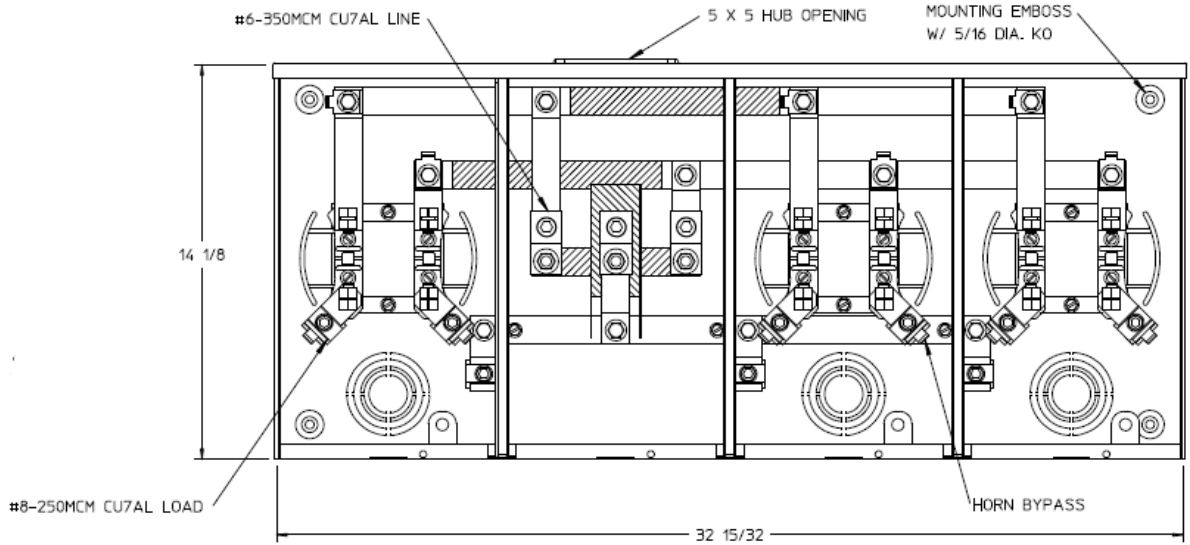
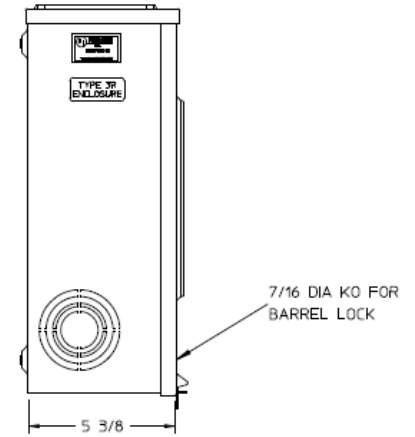


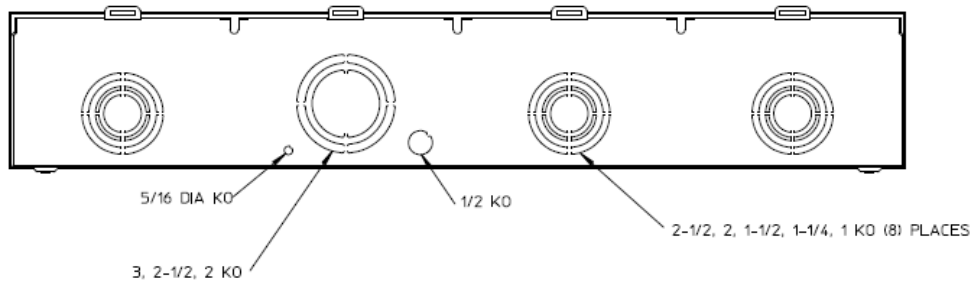
### Front View



### Side View



### Bottom View



### Notes

- 1) FINISH: GRAY
- 2) CABINET: 16 GA GALV. STEEL
- 3) 200 AMP CONTINUOUS PER POSITION  
300 AMP CONTINUOUS (TOTAL) UNIT RATING WITH CU  
250 AMP CONTINUOUS (TOTAL) UNIT RATING WITH AL  
600 VAC, 1 PHASE, 3-WIRE
- 4) MIDWEST LABEL ATTACHED TO THE END OF THE CARTON.
- 5) TEMPORARY CARDBOARD METER OPENING COVERS PROVIDED.
- 6) MIDWEST LOGO LOCATED IN THE LOWER LEFT-HAND CORNERS OF FRONTS.
- 7) FOR AN EXPOSED BROOKS OR INNER-TITE STANDARD LENGTH BARREL LOCK WITH A PERMANENTLY WELDED BRACKET.
- 8) CONNECTORS POSITIONED FOR OVERHEAD FEED.



HORIZ GANGED METER SOCKETS-(3) 200A 600V N3R 1P3W  
HUB OPNG 4-TERM CTR FED AEP HRN BYP BARREL LK G90

CAT NO	DWG DATE	REV #
UBH3R2332TMEP	02/09/2016	01