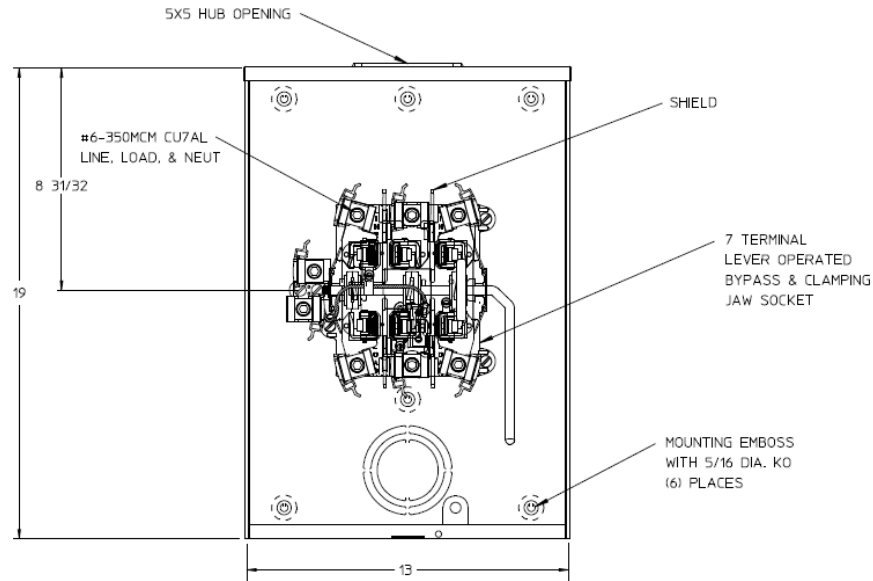
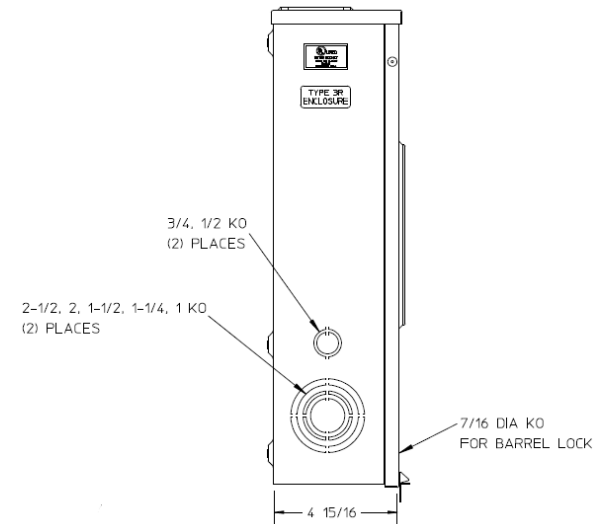


Front View



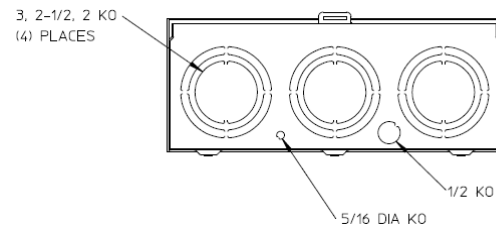
Side View




Notes

- 1) FINISH: GRAY
- 2) CABINET: 16GA GALV. STEEL
- 3) 200AMP CONTINUOUS
600 VAC, 3 PHASE, 4-WIRE
200AMP BYPASS
- 4) TEMPORARY CARDBOARD METER OPENING COVER SUPPLIED. (NOT SHOWN)
- 5) FOR AN EXPOSED BROOKS OR INNER-TITE STANDARD LENGTH BARREL LOCK WITH A PERMANENTLY WELDED BRACKET.
- 6) MIDWEST LABEL ATTACHED TO THE END OF THE CARTON
- 7) MIDWEST LOGO LOCATED IN THE LOWER LEFT-HAND CORNER OF THE FRONT

Bottom View





METER SOCKET – (1) 200A 600V 3P4W N3R G90 7-TERM
5x5" HUB OPN LVR BYP AEP BARREL LOCK TOP/BOT FEED

CAT NO	DWG DATE	REV #
UBH7213TMEP	02/10/2016	01