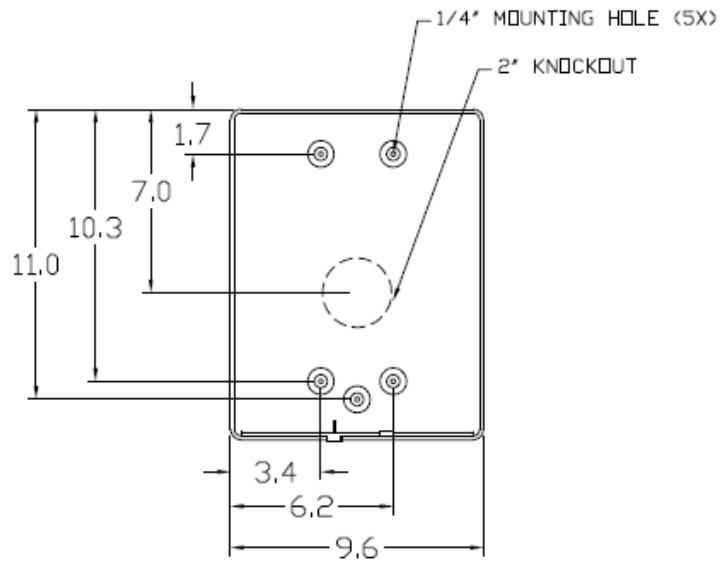
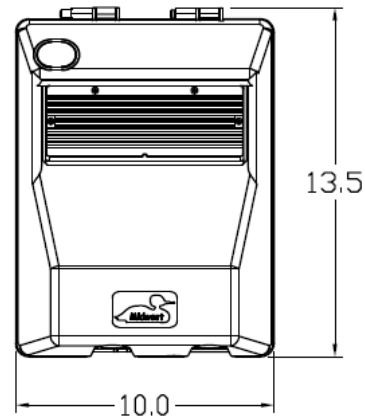


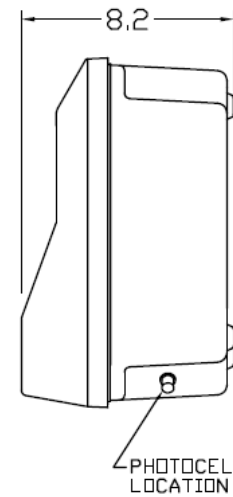
Rear Mount Locations



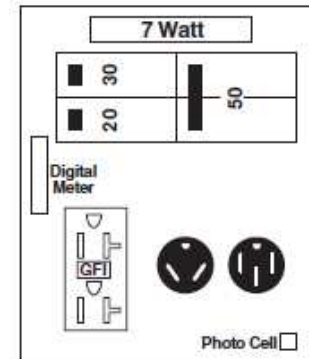
Front View External Covers



Right Side View



Configuration



Receptacles

BR54U
BR32U
5-20R2GFCI

Circuit Protection

THQL2150
THQL1130
THQL1120

Wire Range Size

CONNECTOR	COPPER		ALUMINUM	
	SOLID	STRAND	SOLID	STRAND
LINE (LOAD CENTER)	---	14-1/0	---	14-1/0
NEUTRAL (LOAD CENTER)	14-8	14-1/0	12-10	12-1/0
EQUIP. GRND.	12-2	12-2	12-2	12-2



PARKMATE HEAD ONLY 100A 50,30,20A RECPT THMPLST
METERED 7W LIGHT PHOTOCELL 1PH 3W 120/240V 10K UL

CAT NO	DWG DATE	REV #
VKKJHAWT	03/22/2016	02