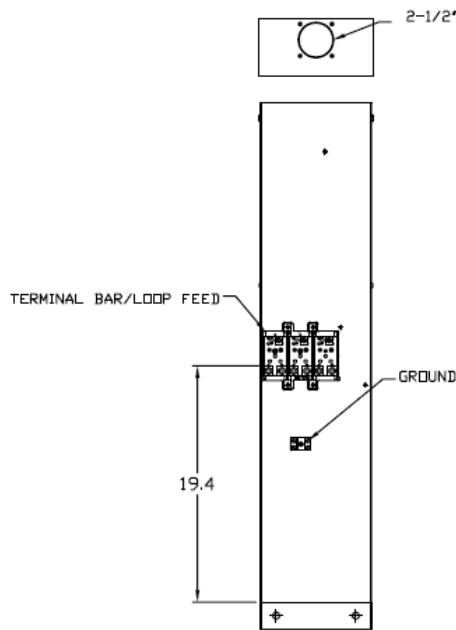
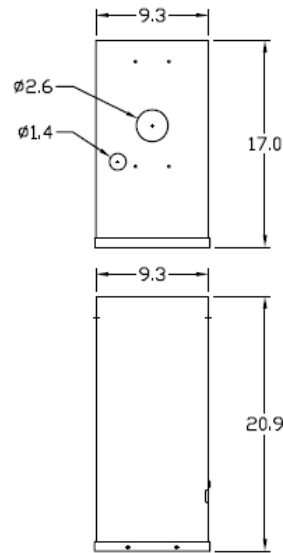


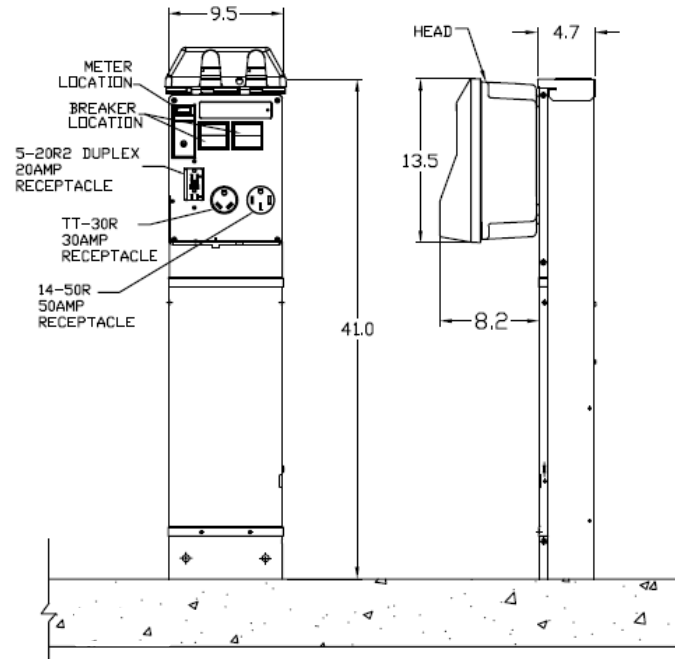
**Top View/
Front View
Interior**



**Rear Mount
Locations**

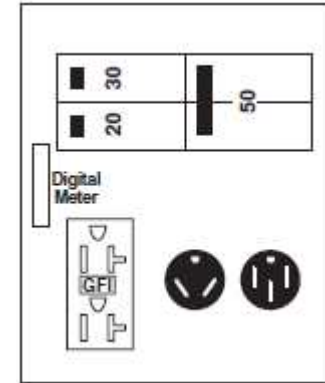


**Front View
External Covers**



**Right
Side View**

Configuration



Receptacles

BR54U
BR32U
5-20R2GFCI

Circuit Protection

THQL2150
THQL1130
THQL1120

Wire Range Size

CONNECTOR	COPPER		ALUMINUM	
	SOLID	STRAND	SOLID	STRAND
LINE (LOAD CENTER)	---	14-1/0	---	14-1/0
NEUTRAL (LOAD CENTER)	14-8	14-1/0	12-10	12-1/0
POST LINE CONNECTORS SUITABLE FOR LOOP FEED	#6-350 KCMIL		#6-350 KCMIL	
EQUIP. GRND.	12-2	12-2	12-2	12-2



MIDWEST PARKMATE STAINLESS STEEL POST, PAD MOUNT, METERED, 100A UL LISTED 120/240V

CAT NO	DWG DATE	REV #
VMKJHACT	03/22/2016	02