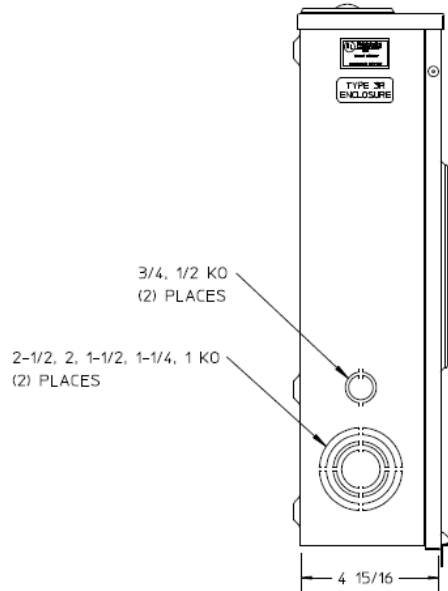
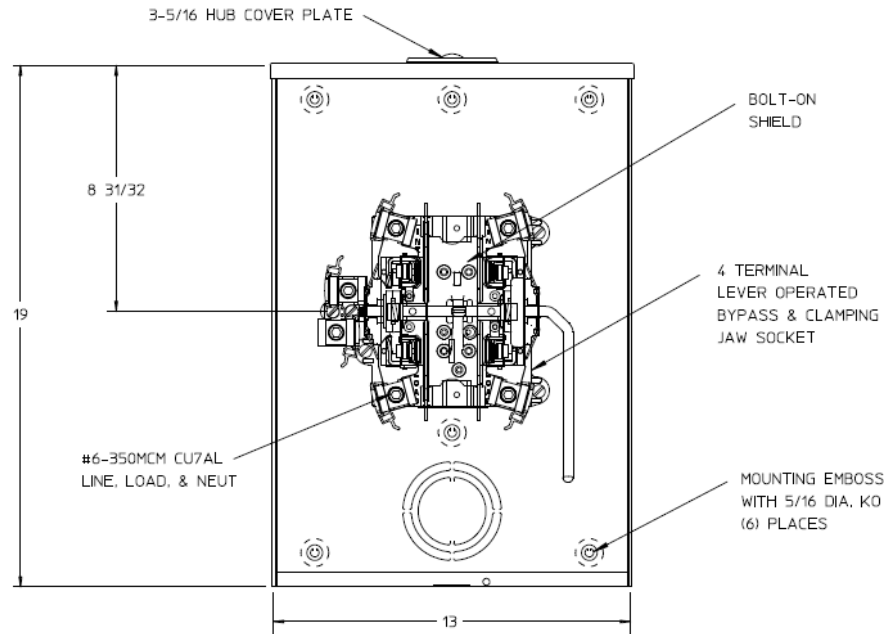


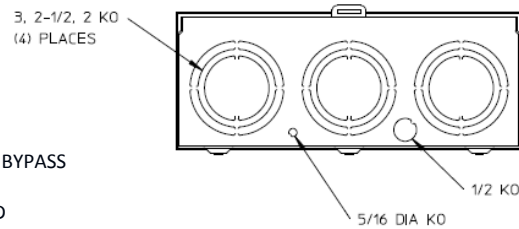
Left Side View



Front View Interior



Bottom View



Notes

- 1) FINISH: GRAY
- 2) CABINET: 16 GA ALV STEEL
- 3) 200 AMP CONTINUOUS, 600 VAC, 1 PHASE, 3 WIRE, 200 AMP BYPASS
- 4) GE LABEL ATTACHED TO THE END OF THE CARTON
- 5) TEMPORARY CARDBOARD METER OPENING COVER PROVIDED
- 6) GE LOGO STAMPED ON LOWER LEFT HAND CORNER OF THE FRONT



imagination at work

METER SKT- (1) 200A 600V 1P3W G90 N3R 4-TRM SMALL HUBCVPL LVR BYP TOP/BOT FEED DECO APPROVED

CAT NO	DWG DATE	REV #
1009995GE	10/14/2016	01