

GE PROPRIETARY AND CONFIDENTIAL INFORMATION

This document is the property of General Electric Company ("GE") and contains proprietary information of GE. This document is loaned on the express condition that neither it nor the information contained therein shall be disclosed to others without the express written consent of GE Energy, and that the information shall be used by the recipient only as approved expressly by GE Energy. This document shall be returned to GE upon its request. This document may be subject to certain restrictions under U.S. export control laws and regulations.

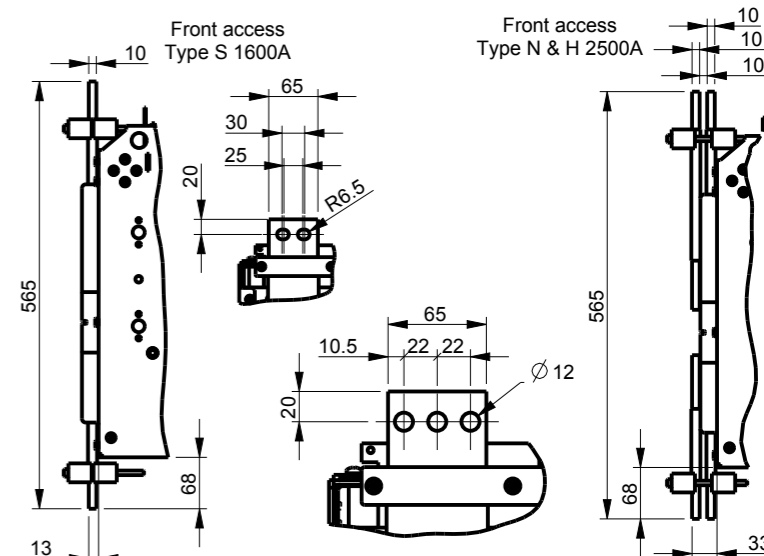
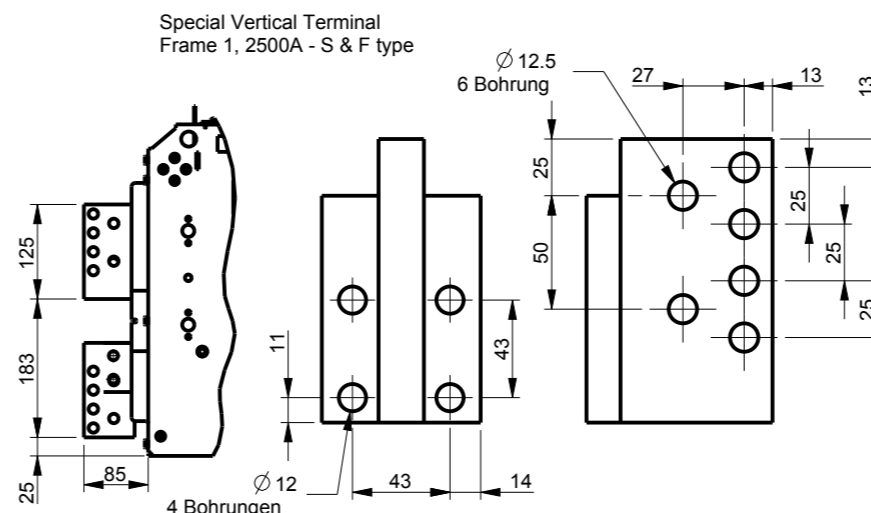
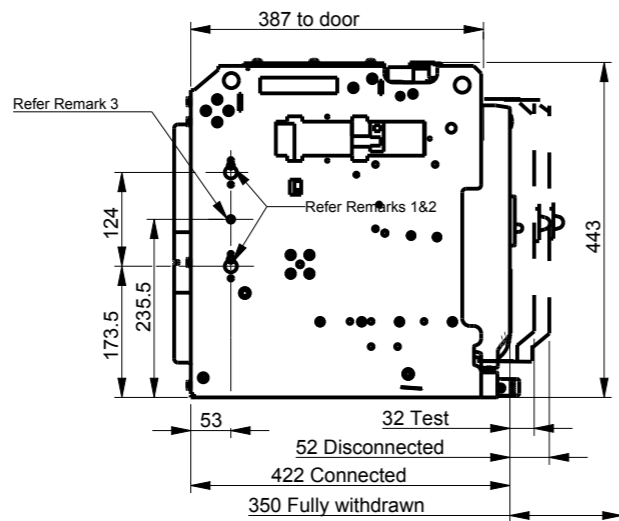
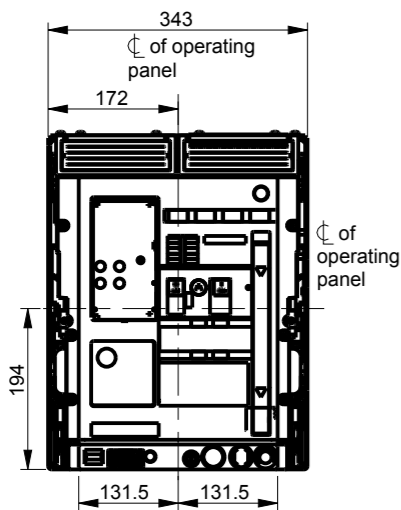
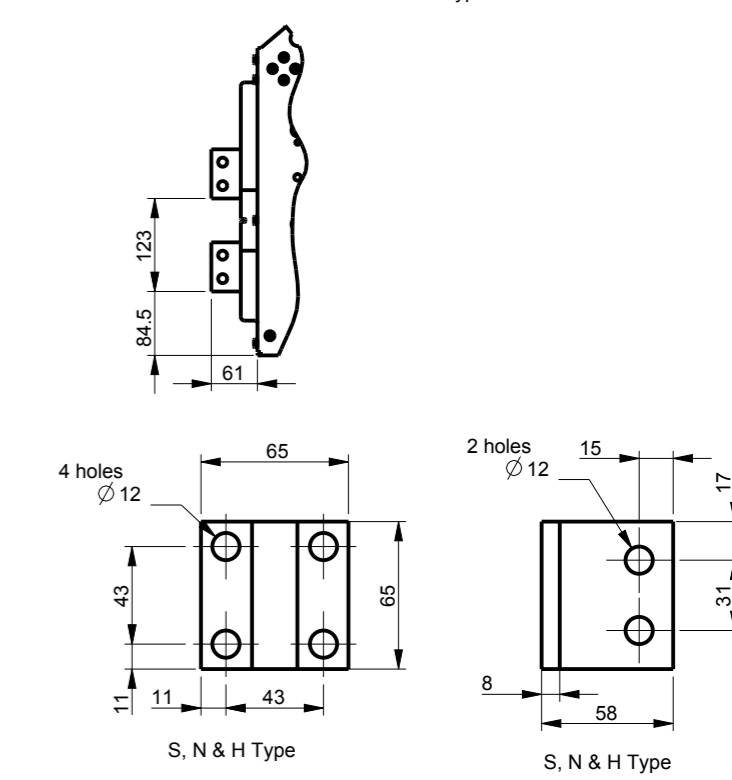
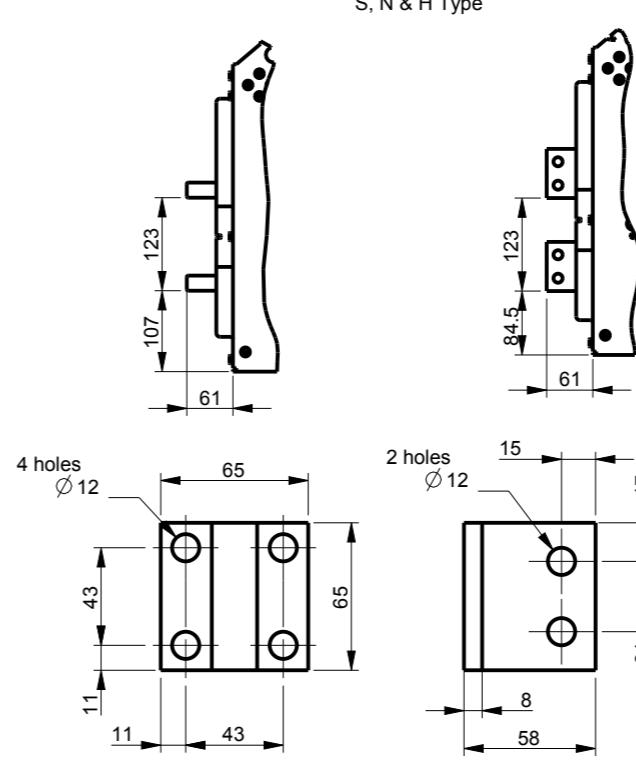
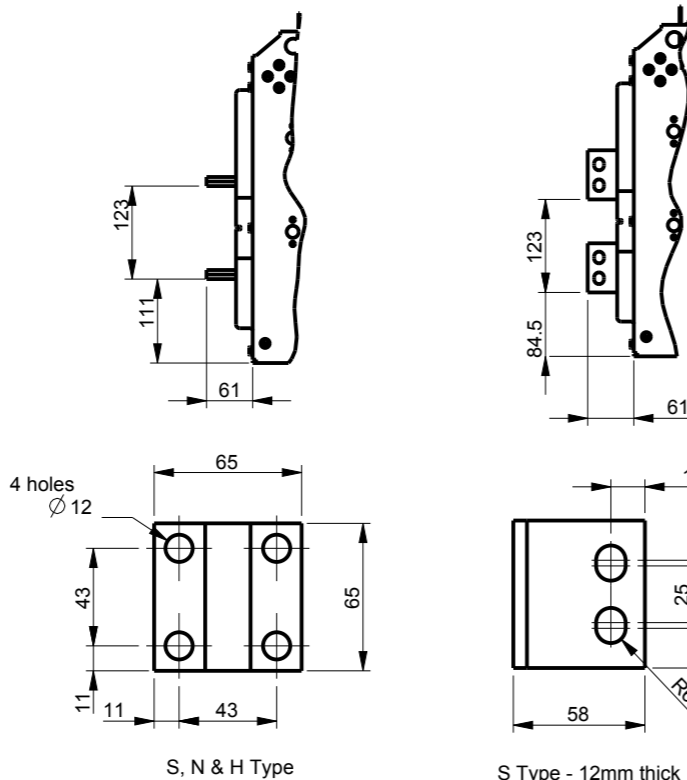
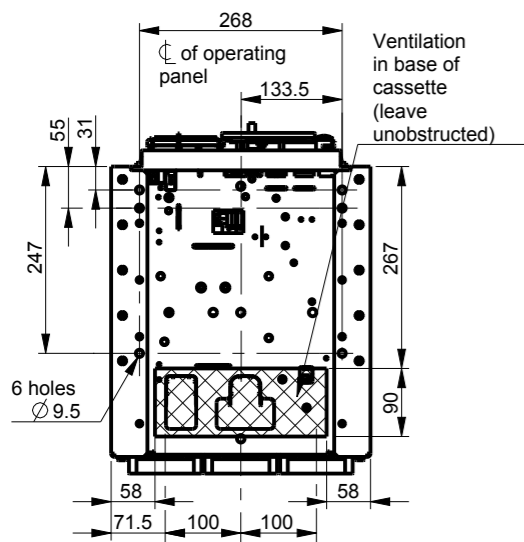
REVISIONS

REV.	DESCRIPTION	DATE	APPROVED
01	C035056	VINU 02/02/18	SANDEEP

Universal Connection pads
Vertically or Horizontally Max.1600A
S Type

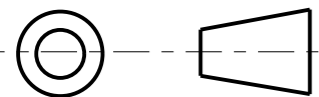
Universal Connection pads
Vertically or Horizontally Max.2000A
S, N & H Type

Universal Connection pads
Only Vertically Max.2500A
S & F Type



- Remarks
- M8 hole to be used with earthing kit when used at top available in right side only
 - M8 hole to be used with earthing kit when used at bottom available in right side only
 - One M6 hole on left hand side is available for earthing.

THIRD ANGLE PROJECTION



Article or Material Must Conform to REACH Procedure SI900000 Sec. 14

Article or Material Must Conform to RoHS Procedure SI900000 Sec. 13

Part must conform to SI 900000 Sec. 4, Toxicity Procedure

FOR ADDITIONAL INFO REFER TO:		SIGNATURES		DATE
APPLIED PRACTICES	MODEL	RAGHAV		07/13/17
DIMENSIONS ARE IN MILLIMETERS	DETAIL	RAGHAV		07/13/17
UNLESS OTHERWISE SPECIFIED IN DRAWING	CHECKED	SANDEEP		07/13/17
TOLERANCE ON:	ENGRG			
1 PL DECIMALS ± 0.3	MFG			
2 PL DECIMALS ± 0.13	QUALITY			
ANGLES ± 0.5	ISSUED			
FRACTIONS ±	DRAWING FILE:	10101524PV1		
FINISH	SOLID MODEL:	10101524PV1		
CRITICAL TO QUALITY CHARACTERISTIC				



TITLE OUTLINE DRAW-OUT IEC F1 3P ENTELLIGUARD G

SIZE A3 DRAWING

10101524 1

SCALE: 1:10

REF. No. :

SHEET 1 of 1