

SHEET 1
REV 1
DRAWING NO. 10101526
SIZE A3

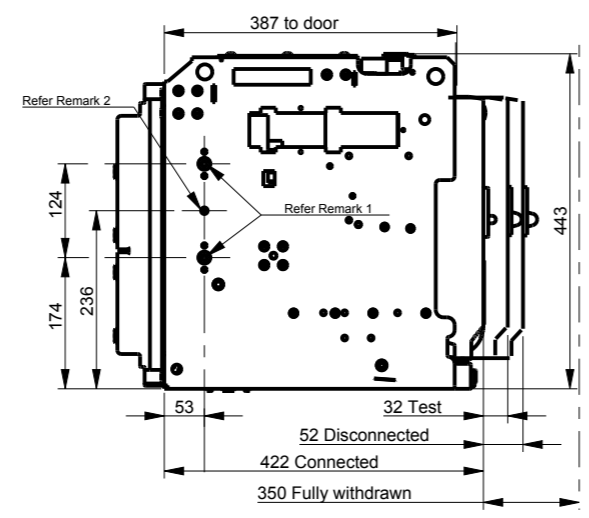
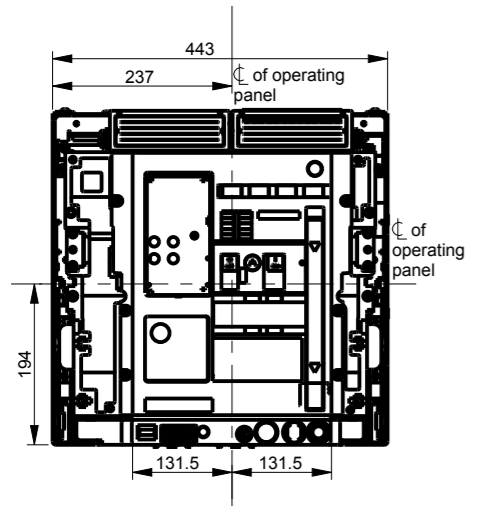
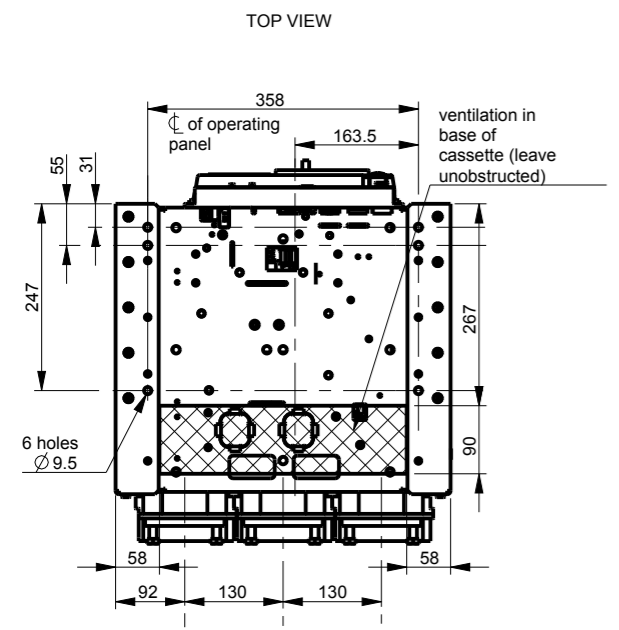
GE PROPRIETARY AND CONFIDENTIAL INFORMATION

This document is the property of General Electric Company ("GE") and contains proprietary information of GE. This document is loaned on the express condition that neither it nor the information contained therein shall be disclosed to others without the express written consent of GE Energy, and that the information shall be used by the recipient only as approved expressly by GE Energy. This document shall be returned to GE upon its request. This document may be subject to certain restrictions under U.S. export control laws and regulations.

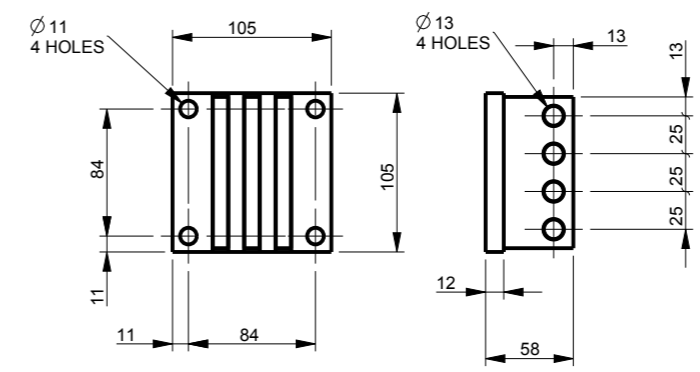
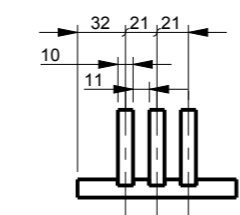
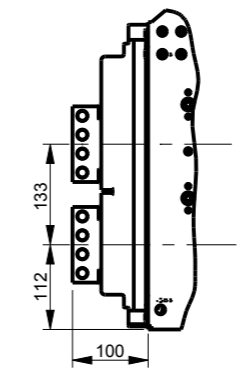
REVISIONS

REV.	DESCRIPTION	DATE	APPROVED
01	C035056	02/05/18	RAGHAV SANDEEP

METRIC

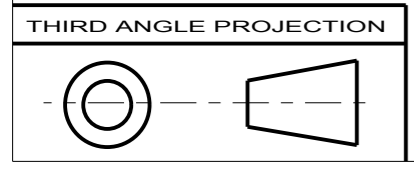


Universal Connection pads
Vertical max. 4000A



PV1

Remarks
1. M8 hole to be used with earthing kit when used at top available in right side only
2. One M6 hole on left hand side is available for earthing.



Article or Material Must Conform to REACH Procedure SI900000 Sec. 14
Article or Material Must Conform to RoHS Procedure SI900000 Sec. 13

Part must conform to SI 900000 Sect. 4, Toxicity Procedure

FOR ADDITIONAL INFO REFER TO:		SIGNATURES	DATE
APPLIED PRACTICES			
DIMENSIONS ARE IN MILLIMETERS			
UNLESS OTHERWISE SPECIFIED IN DRAWING			
TOLERANCE ON:			
1 PL DECIMALS ± 0.3			
2 PL DECIMALS ± 0.03			
ANGLES ± 0.5			
FRACTIONS ±			
FINISH			
CRITICAL TO QUALITY CHARACTERISTIC			

GE Energy

TITLE: OUTLINE DRAWOUT IEC FR2 3P "LIMITED DERATING" ENTELLIGAURD G

SIZE	DRAWING	REV
A3	10101526	1

SCALE: 1:10

SHEET 1 of 1

METRIC