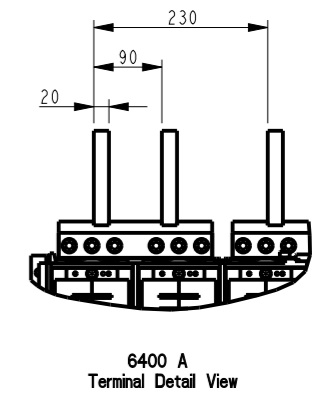
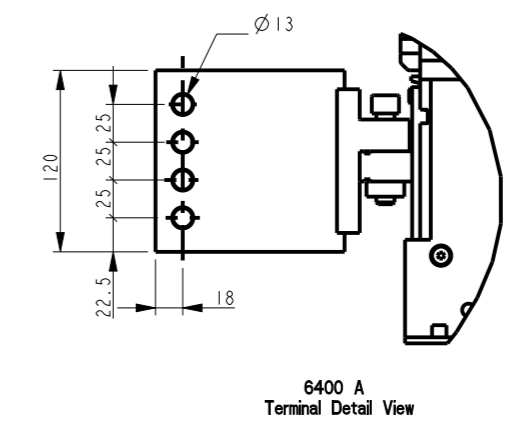
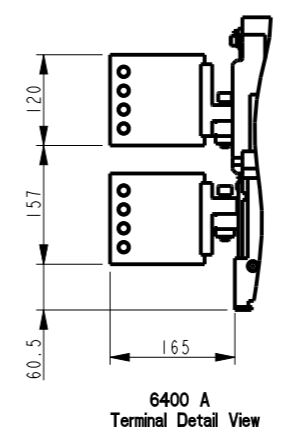
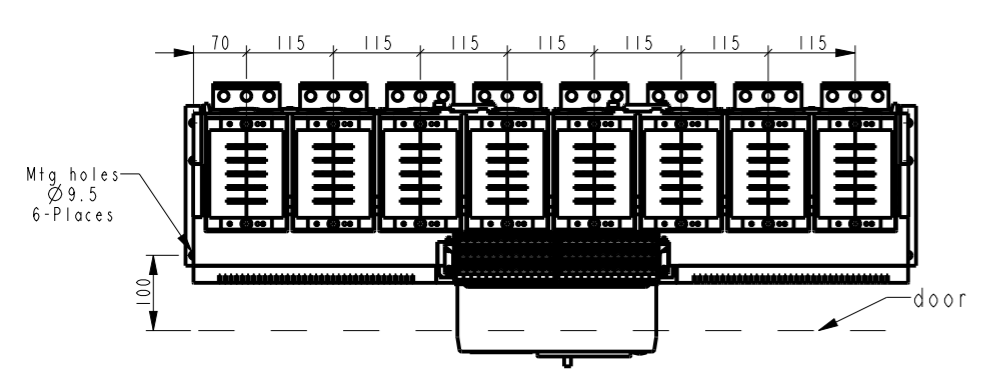
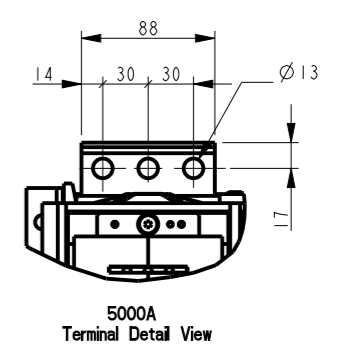
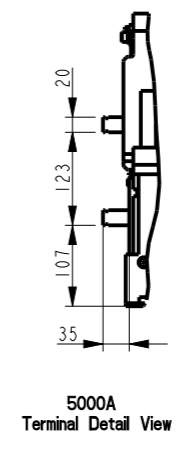
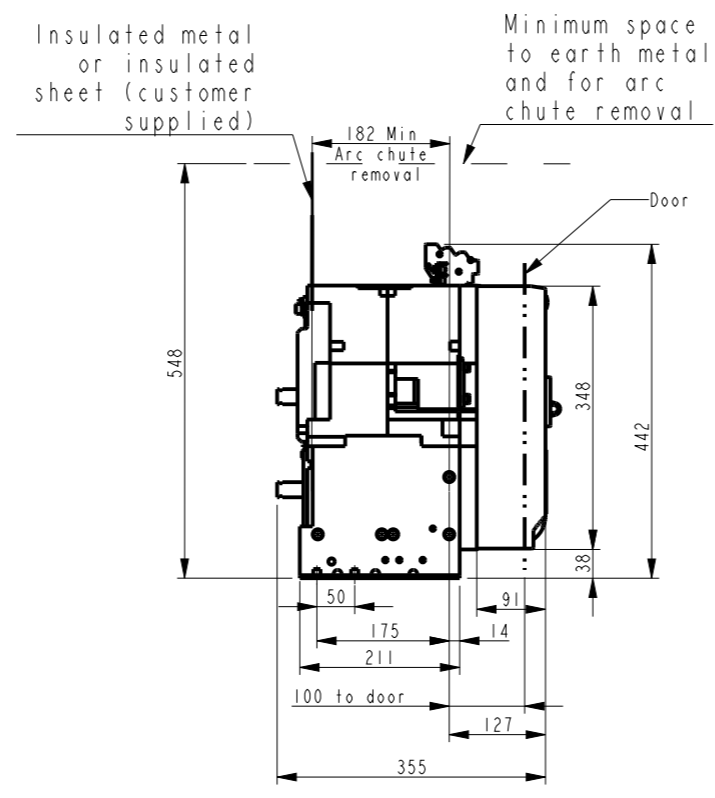
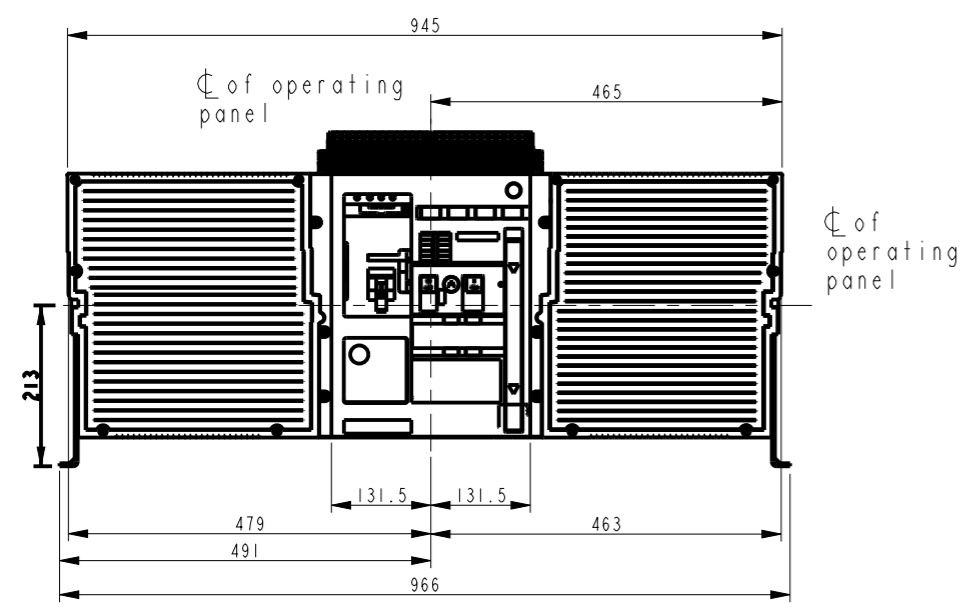


SHEET
REV
10101544 4
SIZE DRAWING NO.
A3

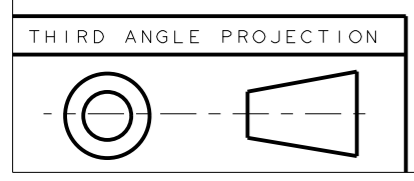
GE PROPRIETARY AND CONFIDENTIAL INFORMATION
This document is the property of General Electric Company ("GE") and contains proprietary information of GE. This document is loaned on the express condition that neither it nor the information contained therein shall be disclosed to others without the express written consent of GE Energy, and that the information shall be used by the recipient only as approved expressly by GE Energy. This document shall be returned to GE upon its request. This document may be subject to certain restrictions under U.S. export control laws and regulations.

REVISIONS			
REV.	DESCRIPTION	DATE	APPROVED
2	C009606	12/30/2015	JOBY
3	C035056	RAGHAV 15/10/2017	SANDEEP
4	C046810	RAGHAV 06/07/2018	GUPTA

METRIC



PV1



Article or Material Must Conform to REACH Procedure SI900000 Sec. 14
Article or Material Must Conform to RoHS Procedure SI900000 Sec. 13

Part must conform to SI 900000 Sect. 4, Toxicity Procedure

FOR ADDITIONAL INFO REFER TO:	SIGNATURES	DATE
APPLIED PRACTICES	MODEL	SHANKARAGOUDA
DIMENSIONS ARE IN MILLIMETERS	DETAIL	
UNLESS OTHERWISE SPECIFIED IN DRAWING	CHECKED	
TOLERANCE ON:	ENGRG	
1 PL DECIMALS ± 0.1	MFG	
2 PL DECIMALS ± 0.01	QUALITY	
ANGLES ± 0.5	ISSUED	
FRACTIONS ±	DRAWING FILE:	10101544PVI
FINISH	SOLID MODEL:	10101544PVI
CRITICAL TO QUALITY CHARACTERISTIC		

GE Energy

TITLE: **OUTLINE FIX IEC F3 4P ENTELLIGUARD G**

SIZE: A3 DRAWING: 10101544 REV: 4

SCALE: 1:10 SHEET 1 of 1

METRIC