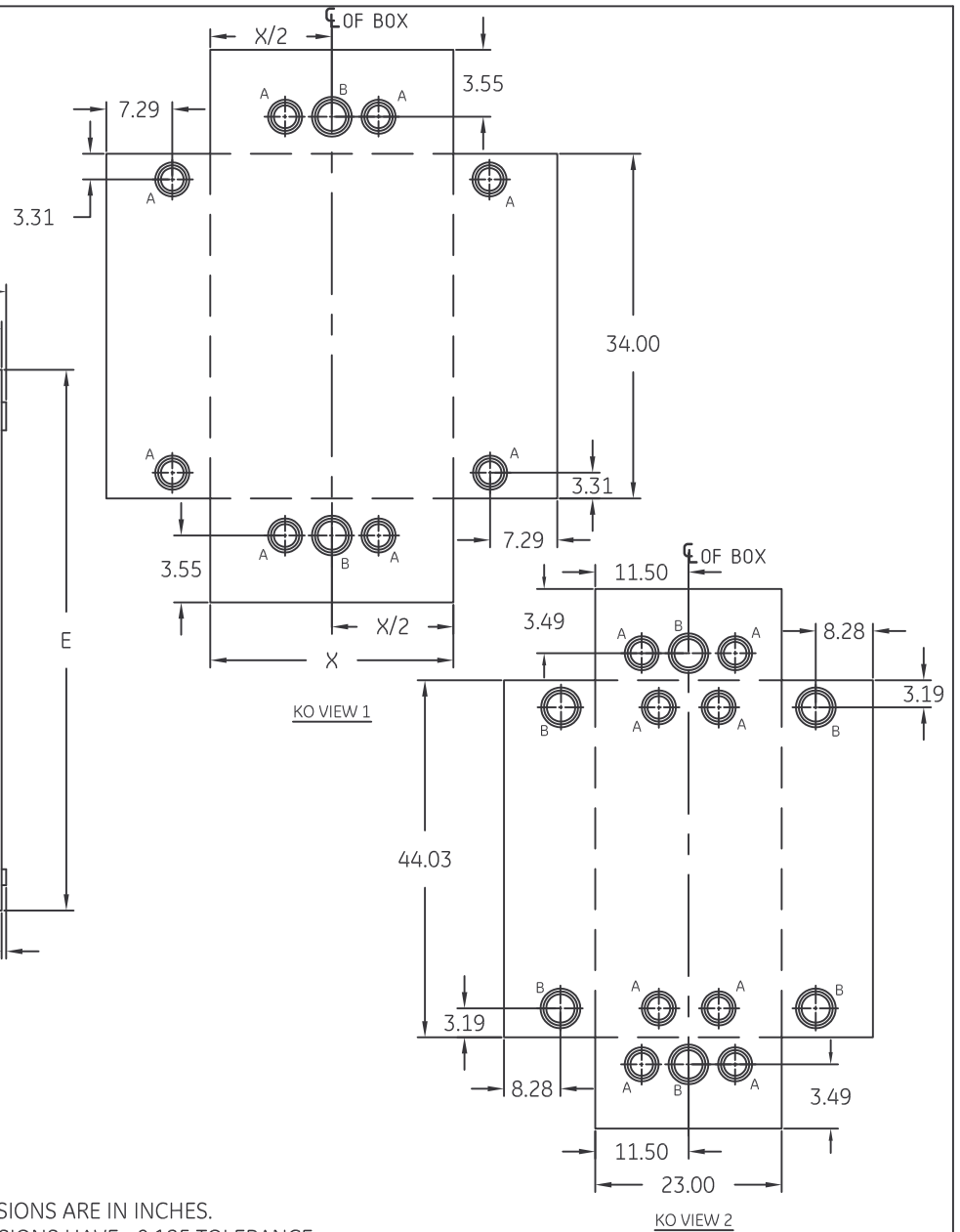


NOTE :  
 1. ALL DIMENSIONS ARE IN INCHES.  
 2. ALL DIMENSIONS HAVE ±0.125 TOLERANCE.

DIMENSION TABLE													
GCAT NO.	MOD.	KO VIEW	A	B	C	D	E	F	G	H	I	X	X/2
TC35325	10	1	34.32	24.49	26.68	24.13	34.13	10.32	30.00	20.00	17.10	24.00	12.00
TC35365	09	1	34.32	20.42	22.61	20.13	34.13	10.32	30.00	16.00	17.10	20.00	10.00
TC35326/ TC35366	09	2	44.39	23.45	25.64	23.13	44.16	11.32	39.91	19.00	17.50	-	-

KO TABLE			
SYM.	SIZE	QTY.	
		VIEW1	VIEW2
A	2 X 2 1/2 X 3 KO	8	8
B	2 1/2 X 3 X 3 1/2 KO	2	6



imagination at work

OUTLINE DRAWING--DOUBLE THROW SAFETY SWITCH  
 400 & 600A, NEMA -TYPE 1 ENCLOSURE

DWG NO. 10103091SH122	DATE 10/15/2009	REV 01
--------------------------	--------------------	-----------