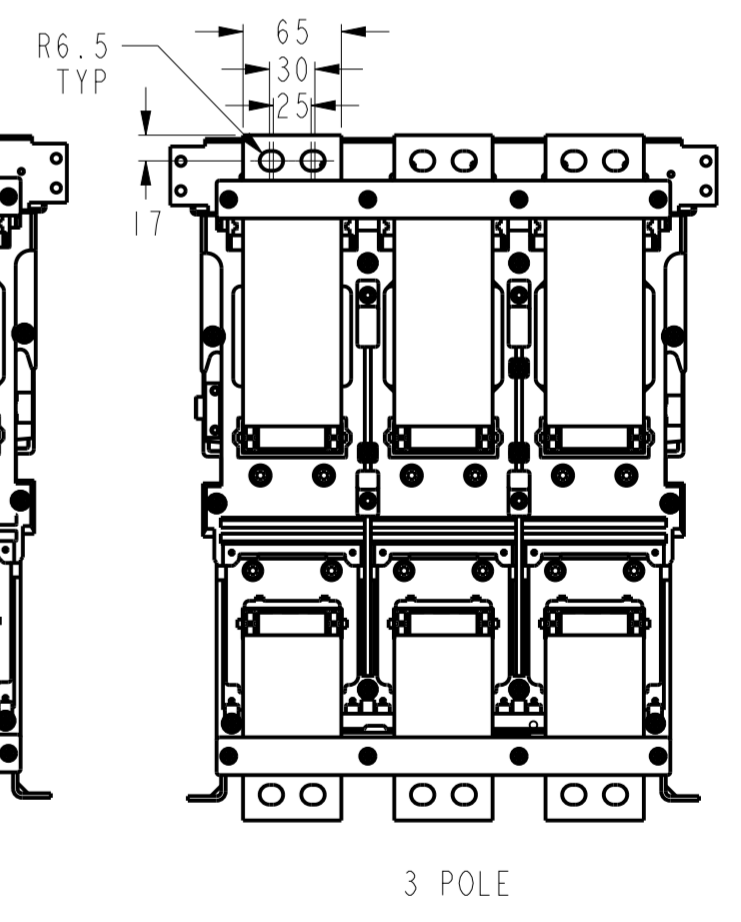
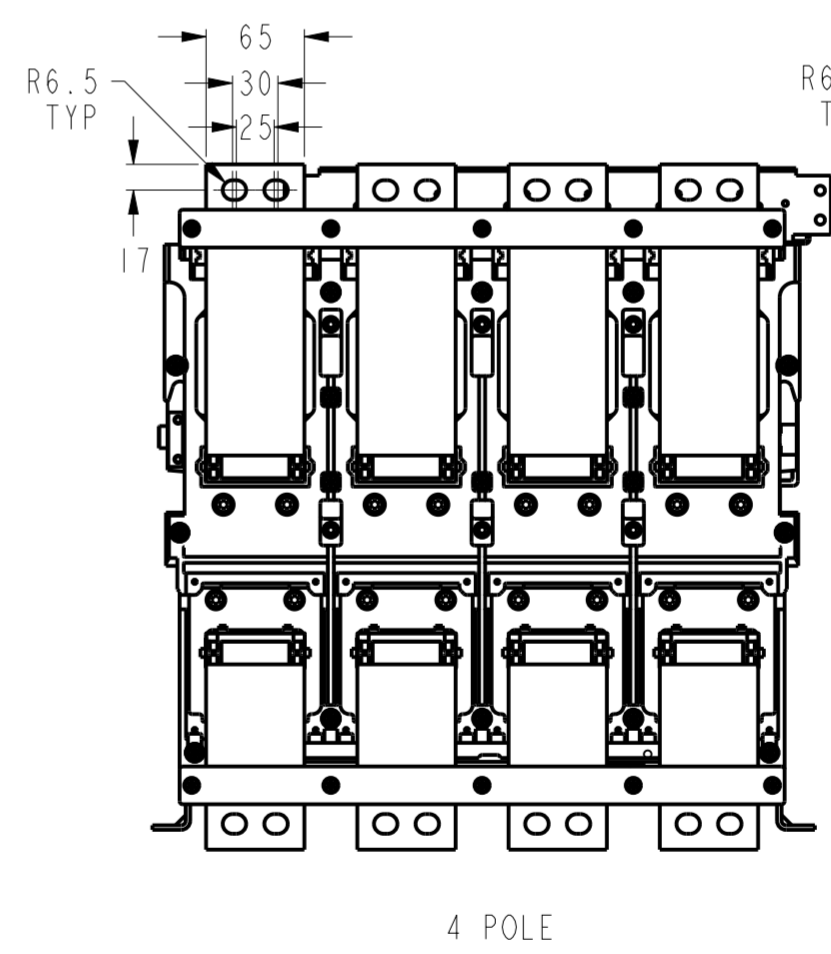
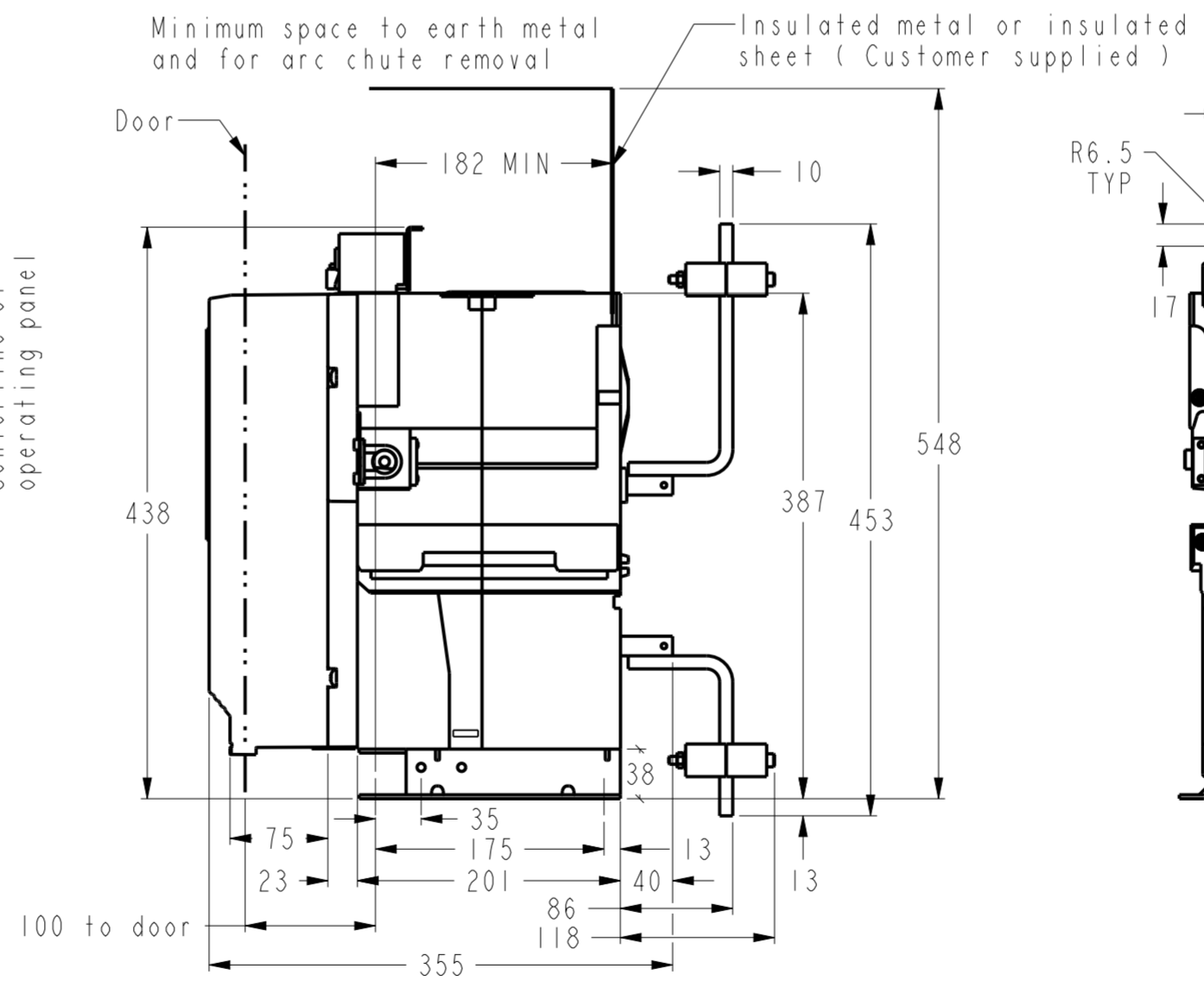
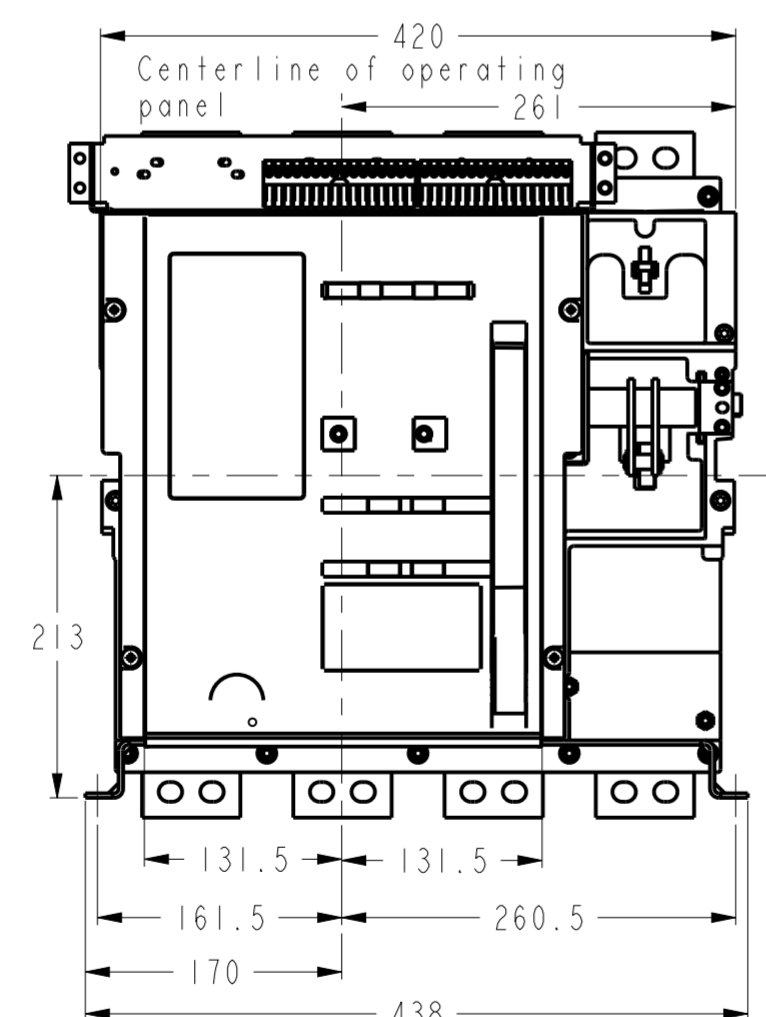
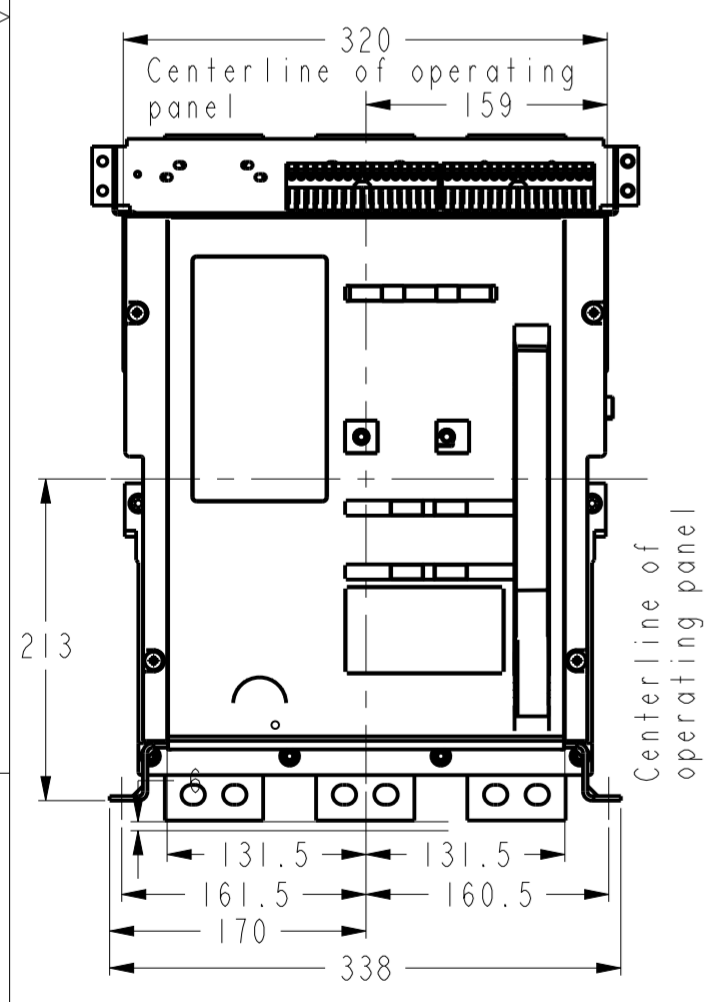
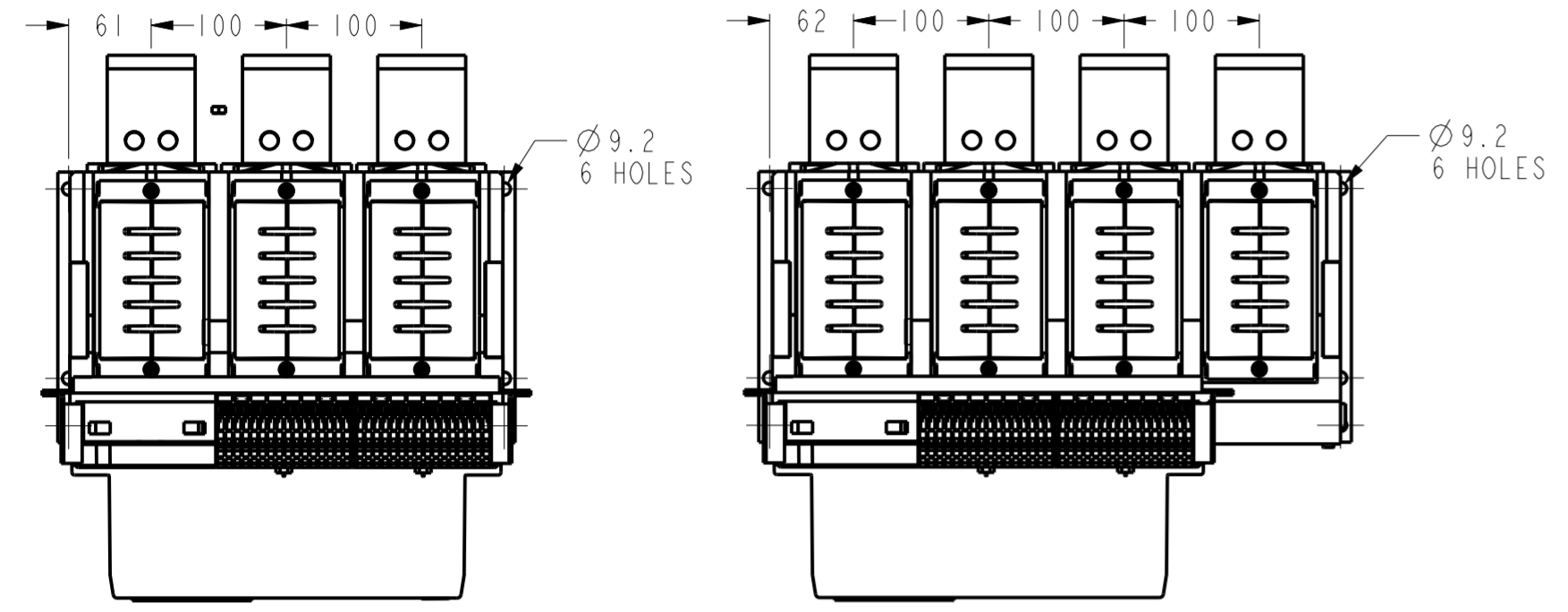


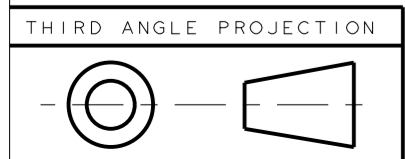
GE PROPRIETARY AND CONFIDENTIAL INFORMATION  
 This document is the property of General Electric Company ("GE") and contains proprietary information of GE. This document is loaned on the express condition that neither it nor the information contained therein shall be disclosed to others without the express written consent of GE Energy, and that the information shall be used by the recipient only as approved expressly by GE Energy. This document shall be returned to GE upon its request. This document may be subject to certain restrictions under U.S. export control laws and regulations.

REVISIONS				
REV.	DESCRIPTION		DATE	APPROVED
1	R1202498	PRASAD	01-18-13	GUPTA
2	C003310		03-06-15	VS
3	C035056	RAGHAV	12-04-17	SANDEEP
4	C046810	RAGHAV	06-05-18	GUPTA



NOTE:  
 COPPER WORK MUST BE SUPPORTED WITHIN 200mm  
 OF BREAKER CONNECTIONS - BUS BAR OR CABLES  
 ALL BUS BAR CONNECTIONS TO BE TIGHTENED TO 50Nm TORQUE

PV1



Article or Material Must Conform to REACH Procedure S1900000 Sec. 14  
 Article or Material Must Conform to RoHS Procedure S1900000 Sec. 13

Part must conform to SI 900000 Sect. 4, Toxicity Procedure

FOR ADDITIONAL INFO REFER TO:		SIGNATURES		DATE
APPLIED PRACTICES	MODEL	PRASAD		01-16-13
DIMENSIONS ARE IN MILLIMETERS	DETAIL	PRASAD		01-16-13
UNLESS OTHERWISE SPECIFIED IN DRAWING	CHECKED	GUPTA		01-16-13
	ENGRG			
	MFG			
	QUALITY			
TOLERANCE ON:	ISSUED			
1 PL DECIMALS ± 0.3				
2 PL DECIMALS ± 0.13				
ANGLES ± 0.5				
FRACTIONS ±				
FINISH				
CRITICAL TO QUALITY CHARACTERISTIC	DRAWING FILE:	10111098PVI		
	SOLID MODEL:	10111098PVI		

**GE Energy**

TITLE: **FIXED 1600A 3P/4P FLAT FRONT FRAME 1 ENTELLIGUARD L**

SIZE: DRAWING **A2** REV **4**

SCALE: 1:5 REF. No. . SHEET 1 OF 1

METRIC

METRIC