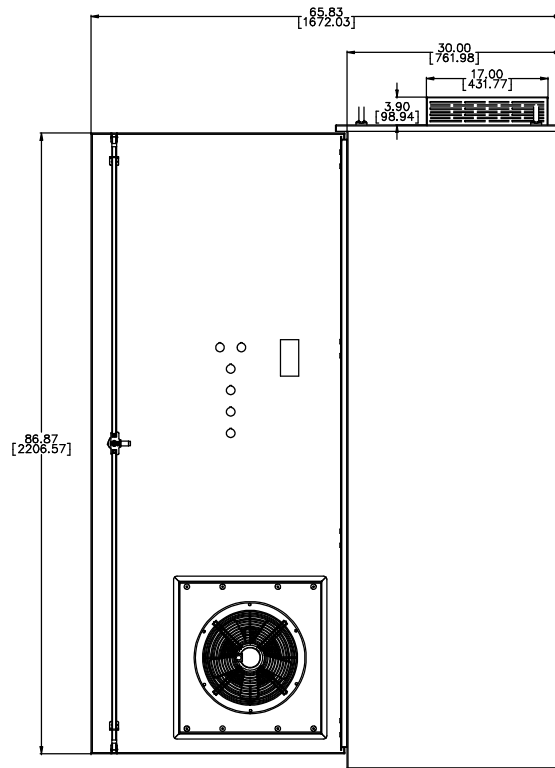
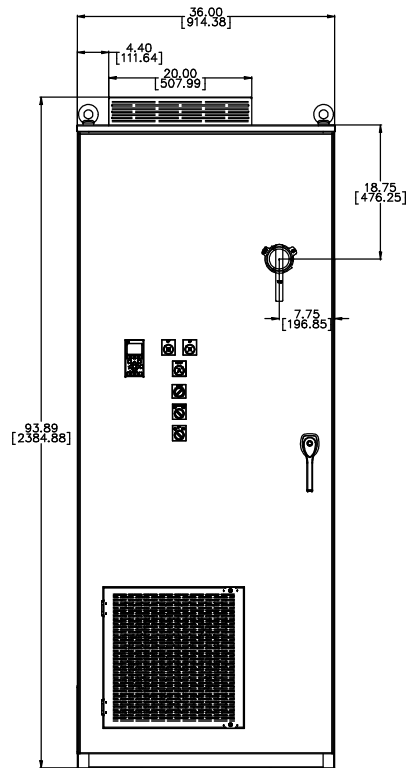
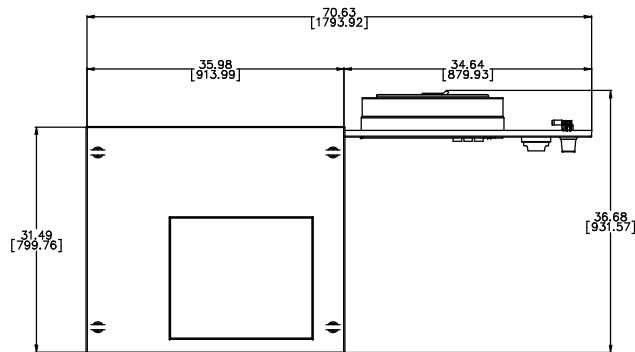
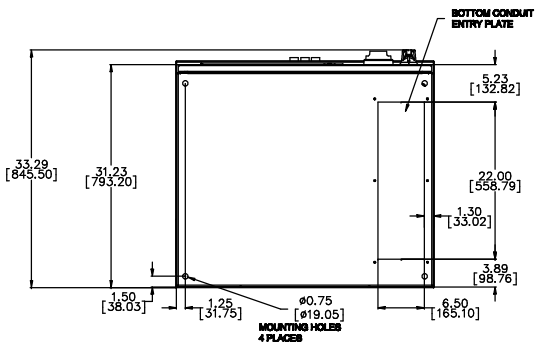


DUAL DIMENSIONS INCHES (ESTIMATING ONLY)
[MILLIMETERS]



DOOR OPEN AT 90°



DOOR OPEN AT 180°

WEIGHT :1497 LBS [679 KGS]



MULTIPULSE DRIVE PANEL
AF-6 125-150 HP
18 PULSE, BYPASS OR NON BYPASS TYPE 1 OR TYPE 12

REV.	DATE	REVISION DESCRIPTION
A	11/28/2012	PRIMARY
B	01/08/2013	REVISED
C	03/05/2013	REVISED

DWG NO.	DATE	REV
1217572	11/27/2012	C