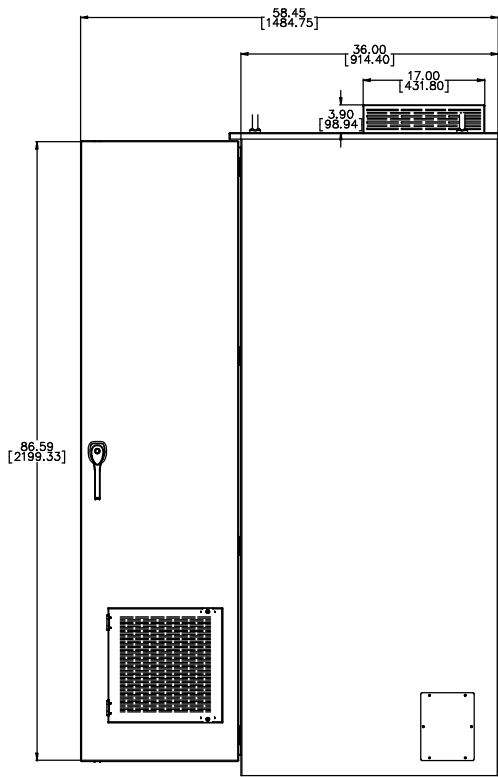
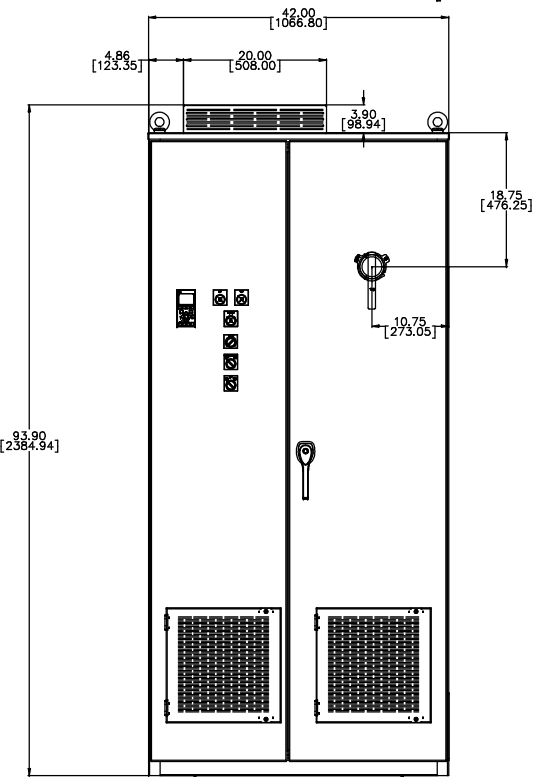
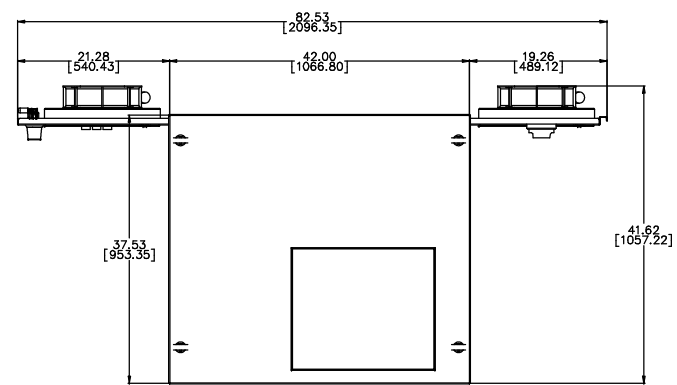


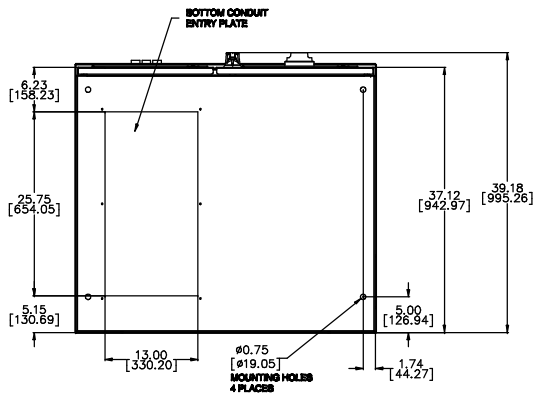
**DUAL DIMENSIONS INCHES (ESTIMATING ONLY)
[MILLIMETERS]**



DOOR OPEN AT 90°



DOOR OPEN AT 180°



WEIGHT :2171 LBS [984.74 KGS]



**MULTIPULSE DRIVE PANEL
AF-6 200-300 HP**

18 PULSE, BYPASS OR NON BYPASS TYPE 1 OR TYPE 12

REV.	DATE	REVISION DESCRIPTION
A	11/28/2012	PRIMARY
B	01/08/2013	REVISED
C	03/05/2013	REVISED

DWG NO.	DATE	REV
1217573	11/27/2012	C