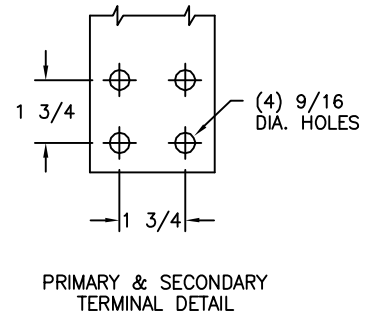
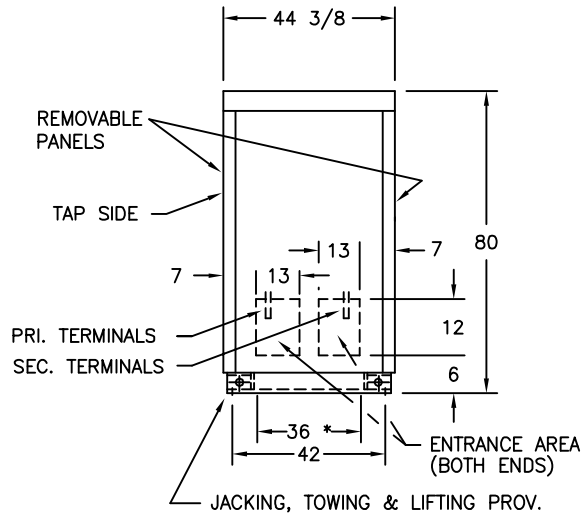
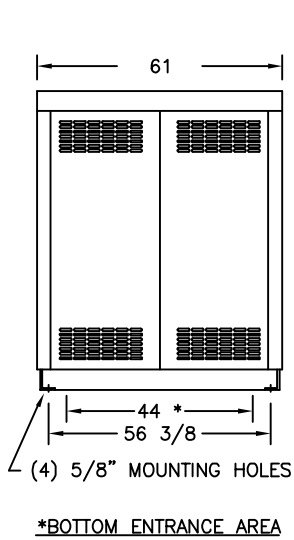


NOTES:

1. ALL UNITS ARE UL LISTED AND ARE DESIGNED IN ACCORDANCE WITH APPLICABLE NEMA AND ANSI STANDARDS.
2. TRANSFORMERS ARE DRY-TYPE, CLASS AA, VENTILATED ENCLOSURE FOR INDOOR USE.
3. TRANSFORMERS ARE FLOOR MOUNTED.
4. TRANSFORMERS HAVE 220°C CLASS INSULATION SYSTEM WITH THE AVERAGE WINDING TEMPERATURE RISE BASED ON 40°C MAXIMUM AMBIENT.
5. PAINT COLOR IS ANSI #61.
6. SERIES 3592



UNIT WEIGHT REF. (B)

NET WT. IN LBS.	A	B
ALUMINUM	4450	4995
COPPER	4750	5295

* ELECTROSTATIC SHIELD GROUNDED TO TRANSFORMER CASE AT FACTORY IF APPLICABLE

DRAWINGS
<input type="checkbox"/> APPROVAL
<input type="checkbox"/> RECORD
<input checked="" type="checkbox"/> OTHER

QUANTITY	1	CUST.		
KVA	750	JOB		
PRIMARY VOLTAGE	480	P.O.		
SECONDARY VOLTAGE	208Y/120	S.O.		
TEMPERATURE RISE IN °C	150	CATALOG NO.		
WINDINGS & TERMINALS	<input checked="" type="checkbox"/> ALUMINUM <input type="checkbox"/> COPPER			
FREQUENCY	60	BY	ENG. LOG.	TITLE MEETS 10 CFR 431 (2016) EFFICIENCY DRY TYPE TRANSFORMER GENERAL PURPOSE THREE PHASE, 600 VOLT CLASS
TAPS	+2, -4 X 2 1/2%	SV		
GE Electrical Distribution & Control		DATE	MFG. LOG.	DWG. NO.
		DATE:	DWG. FILE	
				D4808A3230-136912964