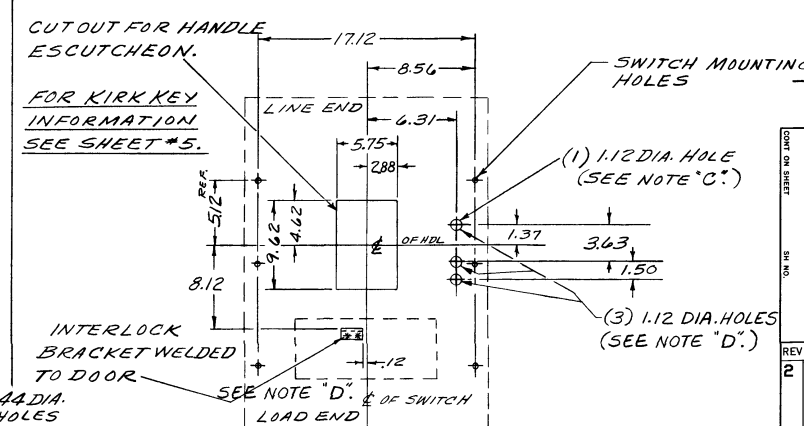
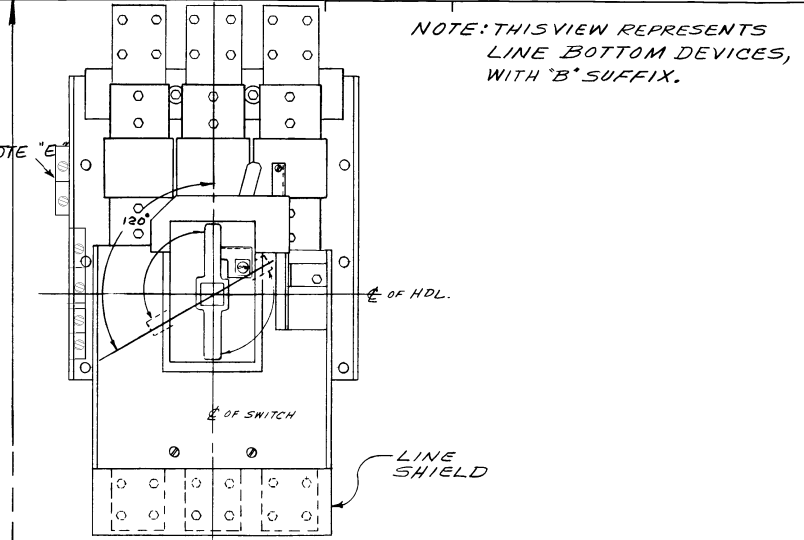
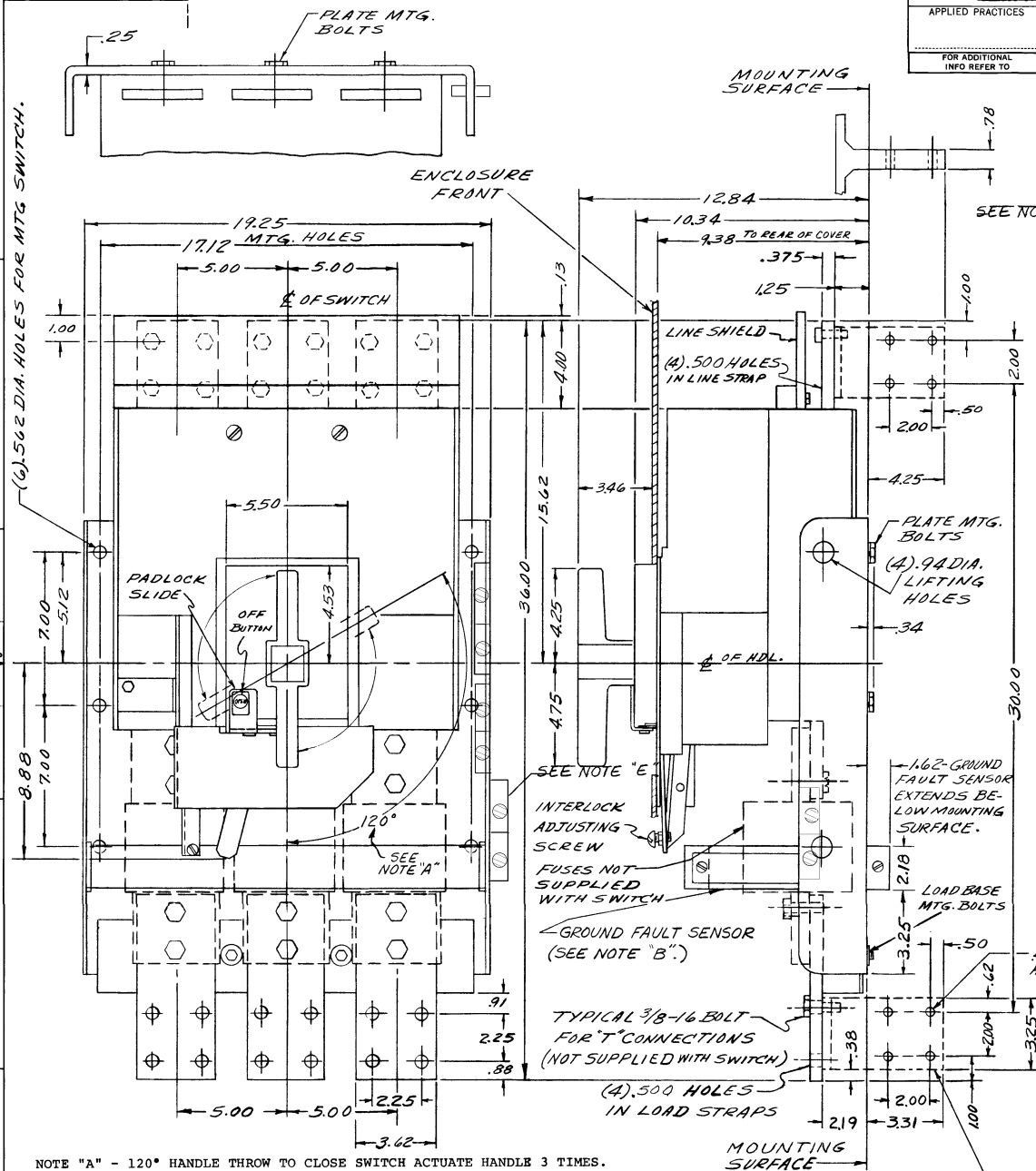


UNLESS OTHERWISE SPECIFIED USE THE FOLLOWING			
APPLIED PRACTICES	SURFACES	TOLERANCES ON MACHINED DIMENSIONS	
	✓	2 PLACE DEC.	3 PLACE DEC.
FOR ADDITIONAL INFO REFER TO		ANGLES	
UNLESS SHOWN ON INDIVIDUAL DIMENSIONS TOLERANCES IN THIS BLOCK APPLY			

TITLE OUTLINE
2000AMP. H.P.C. SWITCH
FIRST MADE FOR HIGH PRESSURE CONTACT SWITCH

A
B
C
D
E



- NOTE "A" - 120° HANDLE THROW TO CLOSE SWITCH ACTUATE HANDLE 3 TIMES. TO OPEN, BUTTON OR TURN HANDLE COUNTER-CLOCKWISE.
- NOTE "B" - INTEGRAL SENSOR SUPPLIED WITH GROUND FAULT ACCESSORY USING CATALOG NO. SUFFIXES; G31, G3M, G3R, G3T, BG31, BG3M, BG3R, BG3T.
- NOTE "C" - HOLE REQUIRED ONLY FOR GROUND FAULT ACCESSORY WITH CATALOG NO. SUFFIXES ENDING IN "M" (CLEARANCE FOR TARGET).
- NOTE "D" - ALL (3) HOLES REQUIRED FOR GROUND FAULT ACCESSORY WITH CATALOG NO. SUFFIX ENDING IN "T". (CLEARANCE FOR TEST PUSHBUTTON SWITCHES). MAXIMUM TWO TERMINAL BOARDS CAN BE INSTALLED. FOR SPECIAL REQUEST, THIRD TERMINAL BOARD MUST BE MOUNTED ON OUTSIDE WALL OF BRACKET. (FACTORY INSTALLED ONLY)
- NOTE "E" -
- "CONNECTORS" LINE & LOAD OPTIONAL-ORDER SEPARATELY CAT. NO. TS20FCA