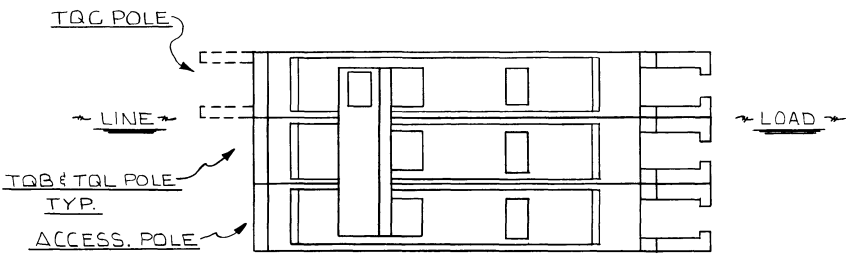
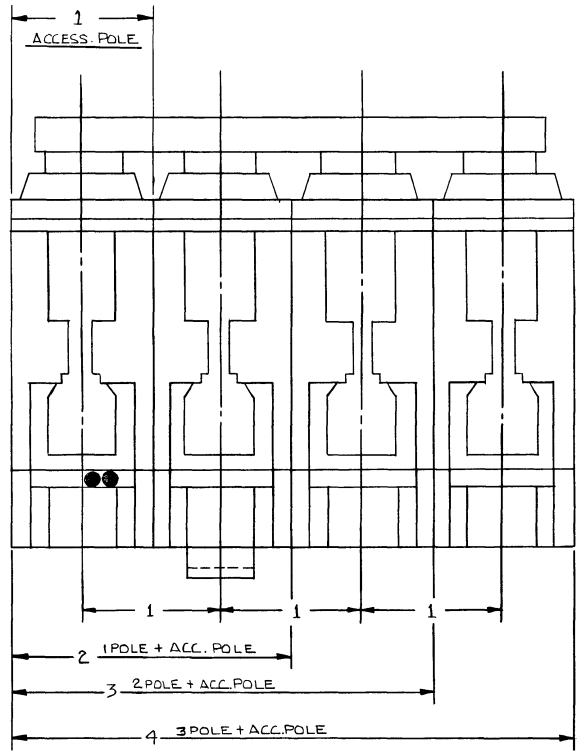
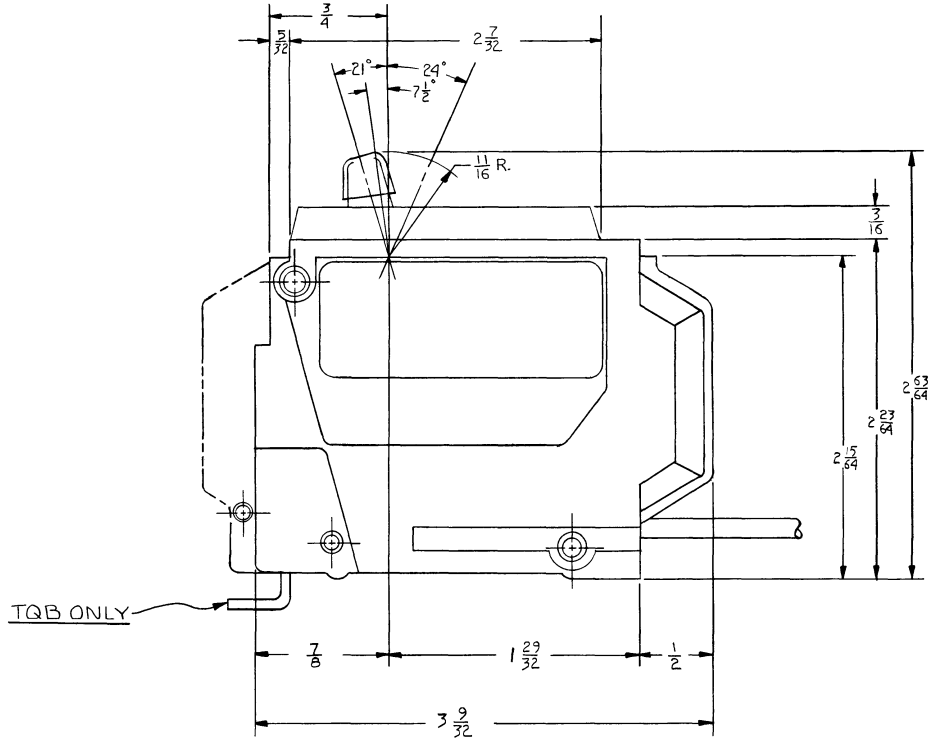


T1
A
B
C
D
E



NOTE:
THIS OUTLINE ONLY ILLUSTRATES A
TYPICAL ASSEMBLY OF THE ACCESS.
TO EITHER THE TQB, TQC OR TQL
CIRCUIT BREAKERS.



DRAWING NO.	139C4646
CONT. ON SHEET	5
REV. NO.	