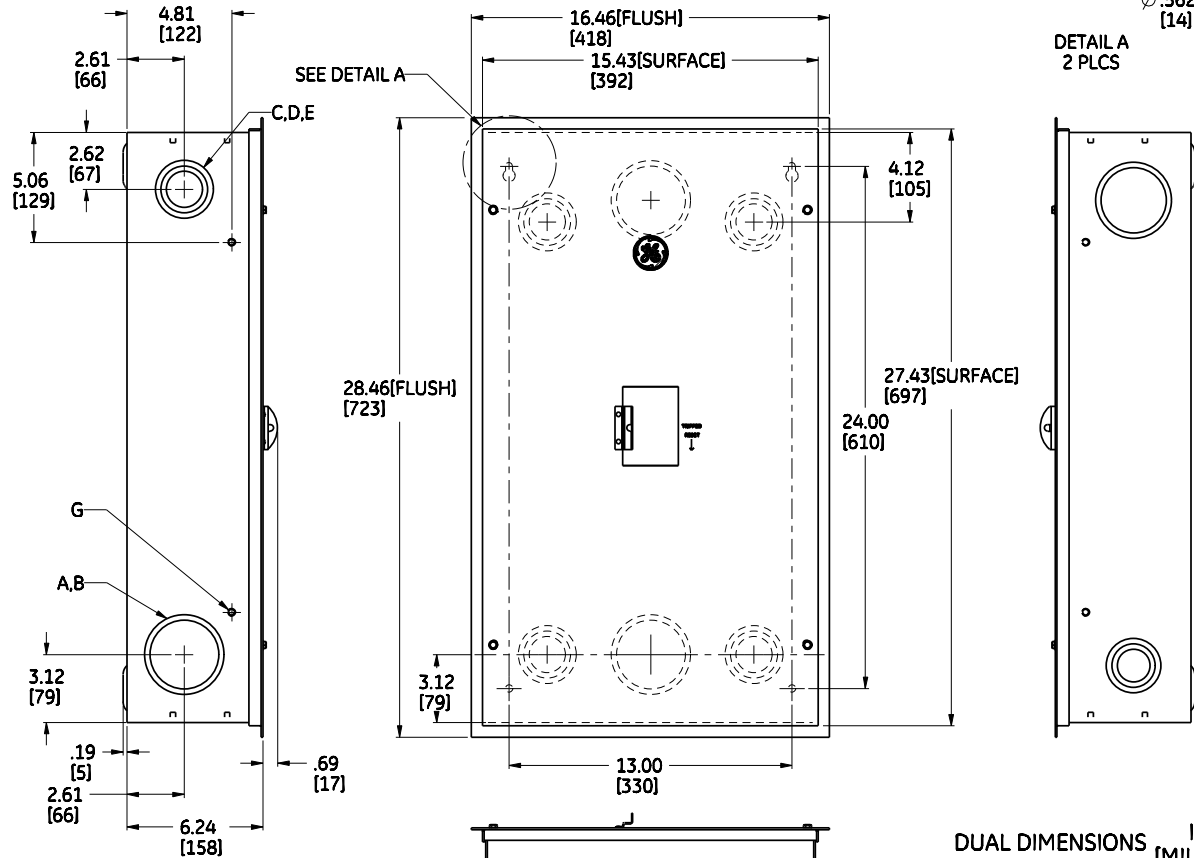


CIRCUIT BREAKER TERMINAL LUG DATA			
CIRCUIT BREAKER CAT NO. PREFIX	AMPERE RATING	LUG TYPE	WIRE SIZE (AWG/KCMIL)
TJD, TJJ, TJK4, THJK4	400A	TCAL43	(1) #6-600 CU-AL (2) #2/0-250 CU-AL
		TCAL47	(1) #750 CU-AL
		TCO43	(1) #6-600 CU (2) #1/0-250 CU



FIELD INSTALLABLE NEUTRAL ASSEMBLY AND GROUND KIT			
CAT NO. PREFIX	TYPE	AMPERE RATING	WIRE SIZE (AWG/KCMIL)
TGL1	GND KIT	70-125A	(4) #14-8 CU (4) #12-8 AL (3) #14-4 CU (3) #6-4 AL
TNIA 400	NEUTRAL ASM	125-400A	(2) #1/0-250 CU-AL (1) #4-600 CU-AL
TGL20	GND KIT	150-400A	(1) #6-2/0 CU-AL

SYMBOLS	KNOCKOUTS			
	CONDUIT SIZE		DIAMETER	
	IN	MM	IN	MM
A	3 1/2	89	4 1/8	105
B	3	76	3 5/8	92
C	2 1/2	64	3	76
D	2	51	2 1/2	64
E	1 1/2	35	2	51
F	1/2	29	7/8	22
G	9/32	7	9/32	7

DUAL DIMENSIONS INCHES [MILLIMETERS]

FOR USE WITH GE TYPE BREAKER TJD, TJJ, TJK4 & THJK4

- NOTES:
1. MATERIAL: LOW CARBON STEEL
 2. FINISH: ELECTROCOAT ENAMEL, GRAY
 3. AGENCY APPROVAL: UL LISTED -FILE E11592,CSA
 4. SUITABLE FOR USE AS SERVICE EQUIPMENT WHEN NEUTRAL ASSEMBLY IS INSTALLED
 5. THE SHORT CIRCUIT RATING OF THIS ENCLOSED CIRCUIT BREAKER IS EQUAL TO THE INTERRUPTING RATING, AT THE SUPPLY VOLTAGE MARKED ON THE CIRCUIT BREAKER INSTALLED
 6. CONSULT BUYLOG FOR ALTERNATIVE LUGS

imagination at work

OUTLINE DRAWING - NEMA TYPE 1 ENCLOSURE
TJ400F, TJ400S

DWG NO.	DATE	REV
139C5497SH3	06/15/2009	03