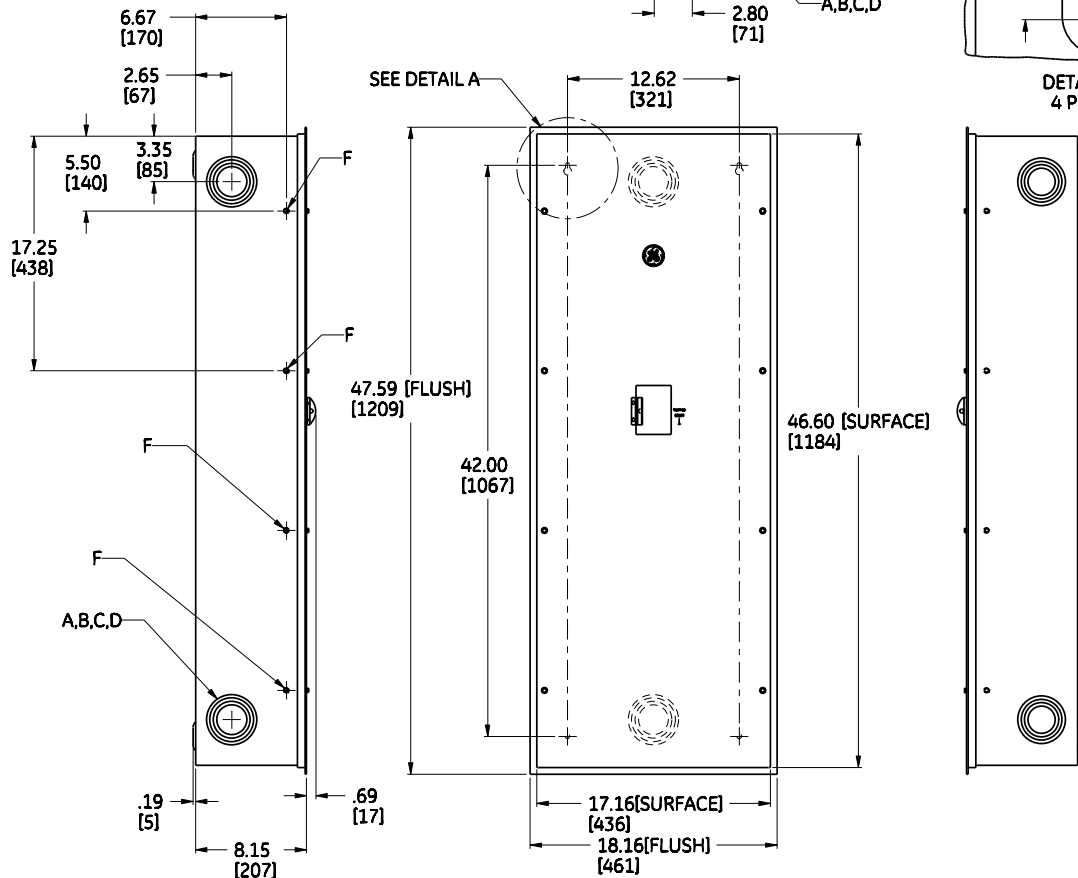


| CIRCUIT BREAKER TERMINAL LUG DATA | | | |
|-----------------------------------|---------------|----------|--|
| CIRCUIT BREAKER CAT NO. PREFIX | AMPERE RATING | LUG TYPE | WIRE SIZE (AWG/KCMIL) |
| TJK6, THJK6 | 600A | TCAL43 | (1) #6-600 CU-AL (2) #2/0-250 CU-AL |
| | | TCAL63 | (2) #4/0-350 CU (2) #300-500 AL |
| | | TCO63 | (2) #250-350 CU |



| FIELD INSTALLABLE NEUTRAL ASSEMBLY AND GROUND KIT | | | |
|---|-------------|---------------|--|
| CAT NO. PREFIX | TYPE | AMPERE RATING | WIRE SIZE (AWG/KCMIL) |
| TGL6 | GND KIT | 600-1200A | (3) #2-250 CU-AL |
| TNIA 400 | NEUTRAL ASM | 125-400A | (2) #1/0-250 CU-AL (1) #4-600 CU-AL |
| TNIA 600 | NEUTRAL ASM | 225-600A | (2) #2/0-500 CU-AL |

| SYMBOLS | KNOCKOUTS | | | |
|---------|--------------|----|----------|-----|
| | CONDUIT SIZE | | DIAMETER | |
| | IN | MM | IN | MM |
| A | 3 1/2 | 89 | 4 1/8 | 105 |
| B | 3 | 76 | 3 5/8 | 92 |
| C | 2 1/2 | 64 | 3 | 76 |
| D | 2 | 51 | 2 1/2 | 64 |
| E | 3/4 | 19 | 1 1/8 | 29 |
| F | 9/32 | 7 | 9/32 | 7 |

DUAL DIMENSIONS INCHES [MILLIMETERS]

FOR USE WITH GE TYPE BREAKER TJK6 & THJK6

- NOTES:
1. MATERIAL: LOW CARBON STEEL
 2. FINISH: ELECTROCOAT ENAMEL, GRAY
 3. AGENCY APPROVAL: UL LISTED -FILE E11592,CSA
 4. SUITABLE FOR USE AS SERVICE EQUIPMENT WHEN NEUTRAL ASSEMBLY IS INSTALLED
 5. THE SHORT CIRCUIT RATING OF THIS ENCLOSED CIRCUIT BREAKER IS EQUAL TO THE INTERRUPTING RATING, AT THE SUPPLY VOLTAGE MARKED ON THE CIRCUIT BREAKER INSTALLED
 6. CONSULT BUYLOG FOR ALTERNATIVE LUGS

imagination at work

OUTLINE DRAWING - NEMA TYPE 1 ENCLOSURE TJ600F AND TJ600S

| | | |
|-------------|------------|-----|
| DWG NO. | DATE | REV |
| 139C5497SH4 | 06/16/2009 | 03 |