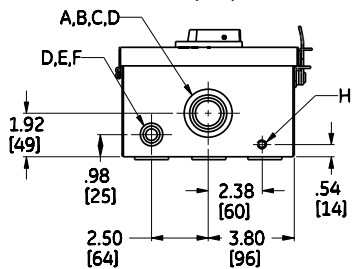
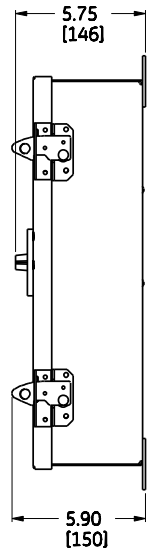
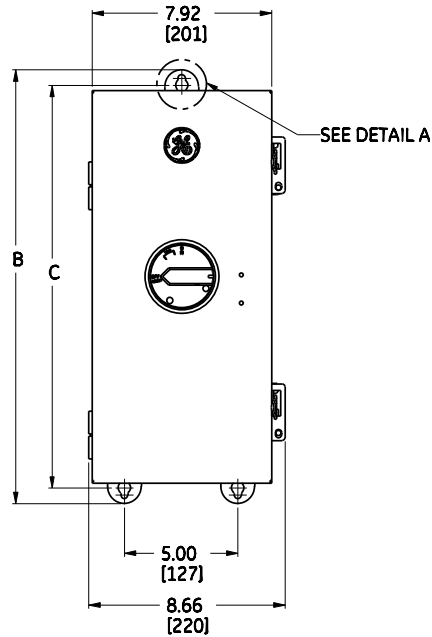


DETAIL A
3 PLCS



NOTES:

1. MATERIAL: LOW CARBON STEEL
2. FINISH: ELECTROCOAT ENAMEL, GRAY
3. AGENCY APPROVAL: UL LISTED -FILE E11592,CSA
4. SUITABLE FOR USE AS SERVICE EQUIPMENT WHEN NEUTRAL ASSEMBLY IS INSTALLED
5. THE SHORT CIRCUIT RATING OF THIS ENCLOSED CIRCUIT BREAKER IS EQUAL TO THE INTERRUPTING RATING, AT THE SUPPLY VOLTAGE MARKED ON THE CIRCUIT BREAKER INSTALLED
6. CONSULT BUYLOG FOR ALTERNATIVE LUGS
7. KNOCKOUTS ARE AVAILABLE ONLY WITH SE100D& TE100D

CIRCUIT BREAKER TERMINAL LUG DATA			
CIRCUIT BREAKER CAT NO. PREFIX	AMPERE RATING	LUG TYPE	WIRE SIZE (AWG/KCMIL)
TED,TEB,THED	15-100	TCAL14	(1)#14-8 CU-AL
		TCAL12	(1) #14-3 CU (1) #12-1 AL
		TCAL12A	(1) #6-2/0 CU (1) #4-2/0 AL
		TCAL15	(1) #3-3/0 CU (1) #1-3/0 AL
SED,SEH,SEL,SEP	15-100	TCAL18	(1) #12-3/0 CU-AL
		TCO18	(1) #12-3/0 CU

FIELD INSTALLABLE NEUTRAL ASSEMBLY AND GROUND KIT

CAT NO. PREFIX	TYPE	AMPERE RATING	WIRE SIZE (AWG/KCMIL)
TGL1	GND KIT	70-125A	(4) #14-8 CU (4) #12-8 AL (3) #14-4 CU (3) #6-4 AL
TNIA100	NEUTRAL ASM	100A	(1) #14-1/0 CU (1) #12-1/0 AL

CAT NO	B	C
TE100D	19 1/4	17 7/8
TE100J	19 1/4	17 7/8
TB100J	23	21 5/8

KNOCKOUTS

SYMBOLS	CONDUIT SIZE		DIAMETER	
	IN	MM	IN	MM
A	2	51	2 1/2	64
B	1 1/2	38	2	51
C	1 1/4	32	1 3/4	45
D	1	25	1 3/8	35
E	3/4	19	1 1/8	29
F	1/2	13	7/8	22
G	3/8	9	3/8	9
H	9/32	7	9/32	7

DUAL DIMENSIONS, INCHES (MILLIMETERS)

FOR USE WITH GE TYPE BREAKERS
TEB,TEB THED (15-100A)
SED,SEH,SEL & SEP (15-100A)



imagination at work

OUTLINE DRAWING - NEMA TYPE 12/12K ENCLOSURE
SE100D, SE100J, TE100D, TE100J, TB100J

DWG NO.	DATE	REV
139C5653SH1	08/06/2009	03