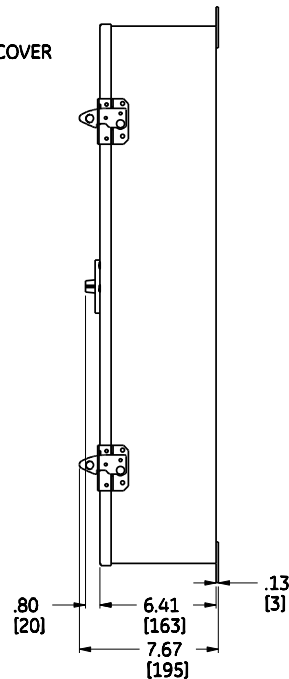
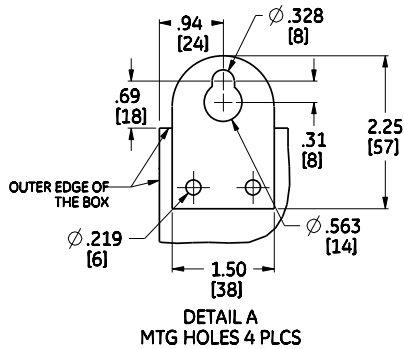
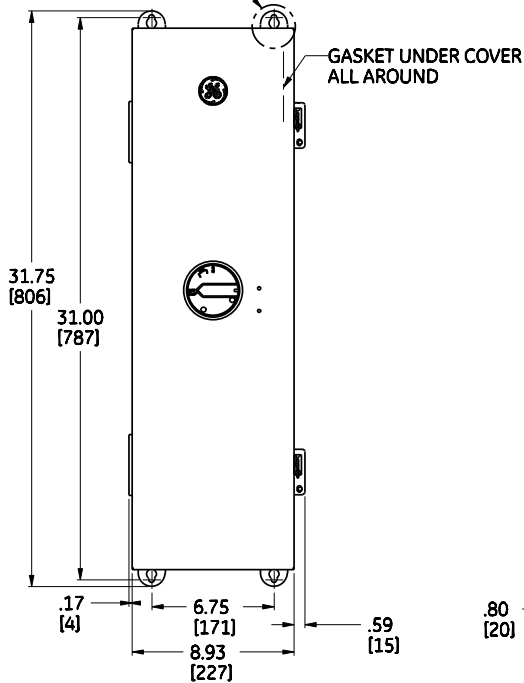


SEE DETAIL A



CIRCUIT BREAKER TERMINAL LUG DATA			
CIRCUIT BREAKER CAT NO. PREFIX	AMPERE RATING	LUG TYPE	WIRE SIZE (AWG/KCMIL)
TFJ, TFK, THFK, TFL	225	TCAL24	(1) #4-300 CU-AL

FIELD INSTALLABLE NEUTRAL ASSEMBLY AND GROUND KIT			
CAT NO. PREFIX	TYPE	AMPERE RATING	WIRE SIZE (AWG/KCMIL)
TGL20	GND KIT	150-400A	(1) #6-2/0 CU-AL
TGL1	GND KIT	70-125A	(4) #14-8 CU (4) #12-8 AL (3) #14-4 CU (3) #6-4 AL
TNIA225	NEUTRAL ASM	70-225A	(1) #1-300 CU-AL

MYERS TYPE CONDUIT HUBS	
CAT NO	NOMINAL CONDUIT DIAMETER IN INCHES
343L647G1	1/4
343L647G2	3/8
343L647G3	1/2
343L647G4	3/4
343L647G5	1
343L647G6	1 1/4
343L647G7	1 1/2
343L647G8	2
343L647G9	2 1/2
343L647G10	3

SYMBOLS	KNOCKOUTS			
	CONDUIT SIZE		DIAMETER	
	IN	MM	IN	MM
A	3	76	3 1/2	89
B	2 1/2	64	3	76
C	2	51	2 1/2	64
D	1 1/2	38	2	51
E	1	25	1 3/8	35
F	3/4	19	1 1/8	29
G	1/2	13	7/8	22
H	9/32	7	9/32	7

NOTES:

1. MATERIAL: LOW CARBON STEEL
2. FINISH: ELECTROCOAT ENAMEL, GRAY
3. AGENCY APPROVAL: UL LISTED -FILE E11592,CSA
4. SUITABLE FOR USE AS SERVICE EQUIPMENT WHEN NEUTRAL ASSEMBLY IS INSTALLED
5. THE SHORT CIRCUIT RATING OF THIS ENCLOSED CIRCUIT BREAKER IS EQUAL TO THE INTERRUPTING RATING, AT THE SUPPLY VOLTAGE MARKED ON THE CIRCUIT BREAKER INSTALLED
6. CONSULT BUYLOG FOR ALTERNATIVE LUGS
7. HUB MTDG. HOLES TO BE PROVIDED BY CUSTOMER
8. KNOCKOUT AVAILABLE ONLY FOR TF225D

DUAL DIMENSIONS, INCHES [MILLIMETERS]

FOR USE WITH GE TYPE BREAKERS TKJ,TFK,THFK & TFL



imagination at work

OUTLINE DRAWING - NEMA TYPE 12/12K ENCLOSURE TF225D, TF225J

DWG NO.	DATE	REV
139C5682SH2	08/06/2009	05