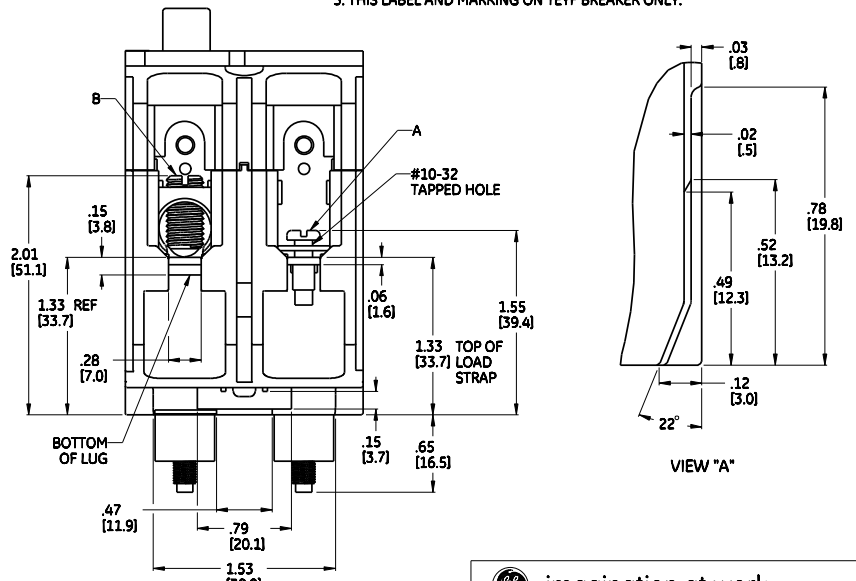
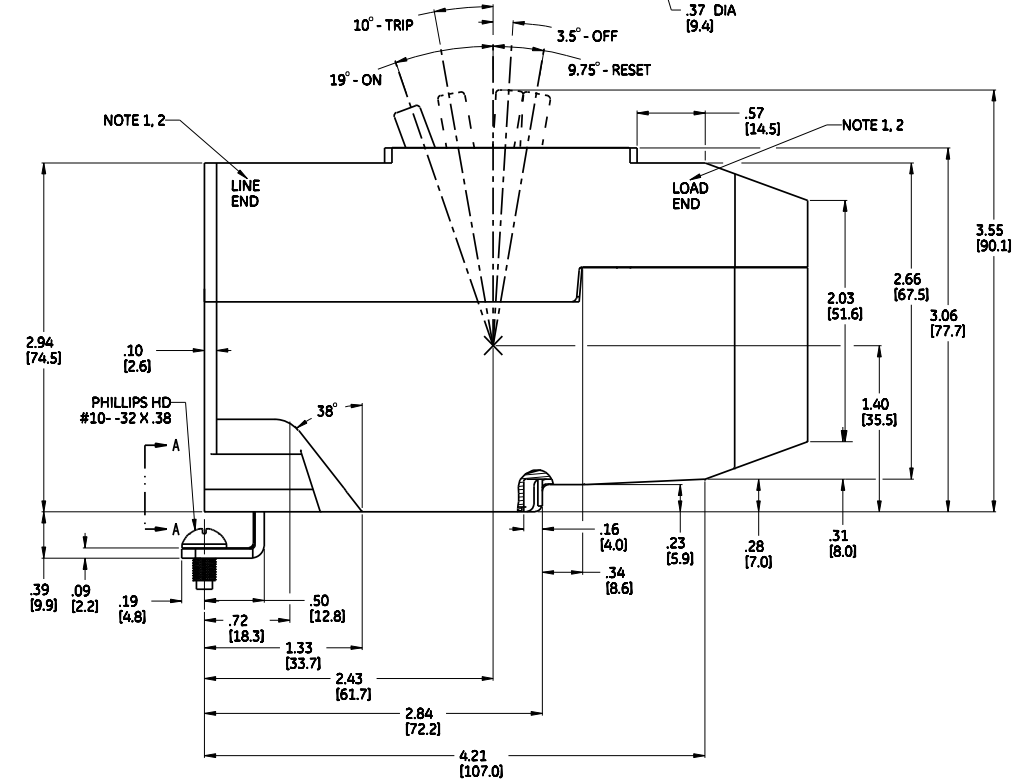


NOMINAL HANDLE OPERATING FORCES (LBS)	
ON TO OFF	6.5
TRIP TO RESET	7.5
OFF TO ON	2.2

WIRE CONNECTOR	USED ON	WIRE RANGE		LOAD END LUG TORQUE TO WIRE	LINE END MOUNTING SCREW TORQUE
		CU	AL		
A (SADDLE CLAMP)	15A - 20A	#12 - #14	#10 - #12	#10, 12, 14 - 35LB - IN	25 - 32LB - IN
B (LUG)	30A - 60A	#10 - #6	#8 - #4	#10 - 35LB - IN #8 - 40LB - IN #6, #4 - 45LB - IN	
	70A - 100A	#4 - #1	#2 - I/O	#4 - I/O - 45LB - IN	

NOTE 1: TEV BREAKER IS SUITABLE FOR REVERSE FEEDING, NO LINE AND LOAD MARKING.
 NOTE 2: TEV BREAKER IS NOT SUITABLE FOR REVERSE FEEDING, LINE AND LOAD MARKING WILL APPEAR.
 NOTE 3: THIS LABEL AND MARKING ON TEV BREAKER ONLY.



DUAL DIMENSIONS - INCHES [MILLIMETERS]

imagination at work
 OUTLINE DRAWING-CIRCUIT BREAKER
 TEV, TEV'F - 2 POLE
 DWG NO. 139C5696SH2 DATE 12/03/09 REV 6