

GE PROPRIETARY AND CONFIDENTIAL INFORMATION

This document is the property of General Electric Company ("GE") and contains proprietary information of GE. This document is loaned on the express condition that neither it nor the information contained therein shall be disclosed to others without the express written consent of GE Energy, and that the information shall be used by the recipient only as approved expressly by GE Energy. This document shall be returned to GE upon its request. This document may be subject to certain restrictions under U.S. export control laws and regulations.

REVISIONS			
REV.	DESCRIPTION	DATE	APPROVED
1	C026395	04/11/17	SCF

D

C

B

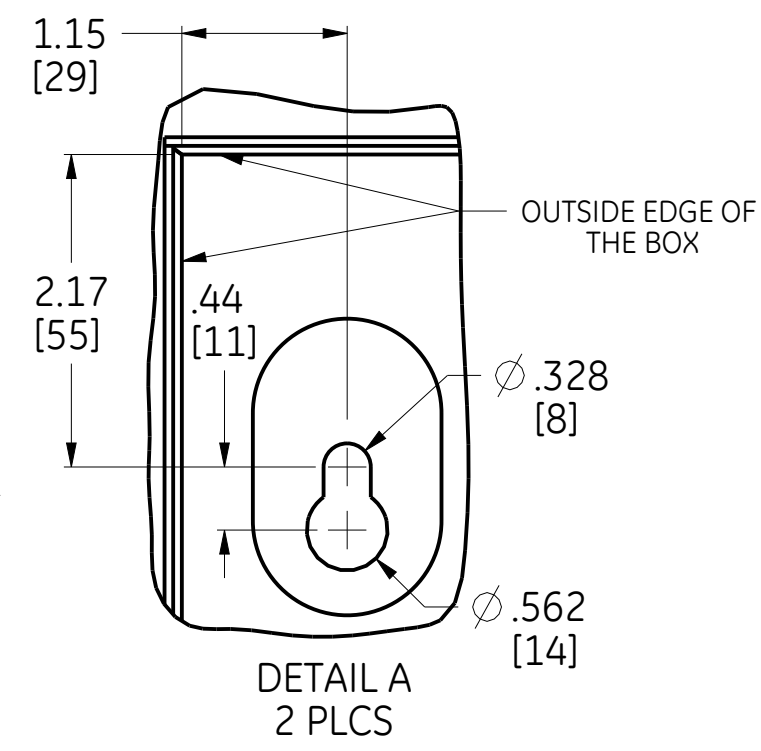
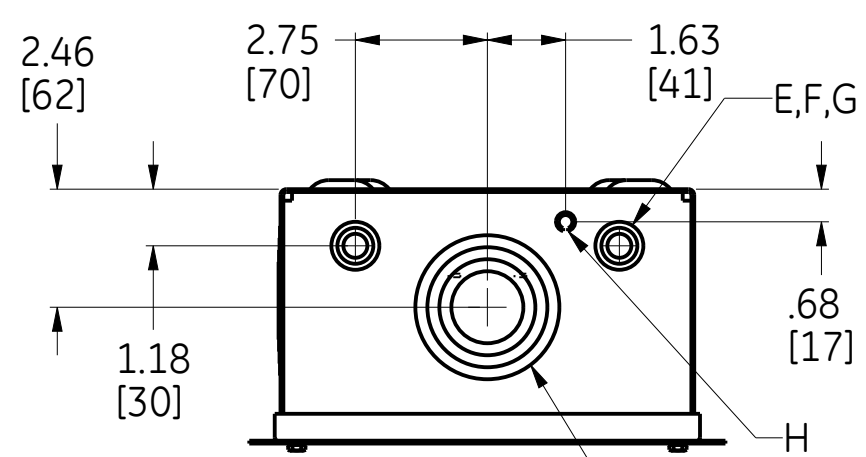
A

D

C

B

A



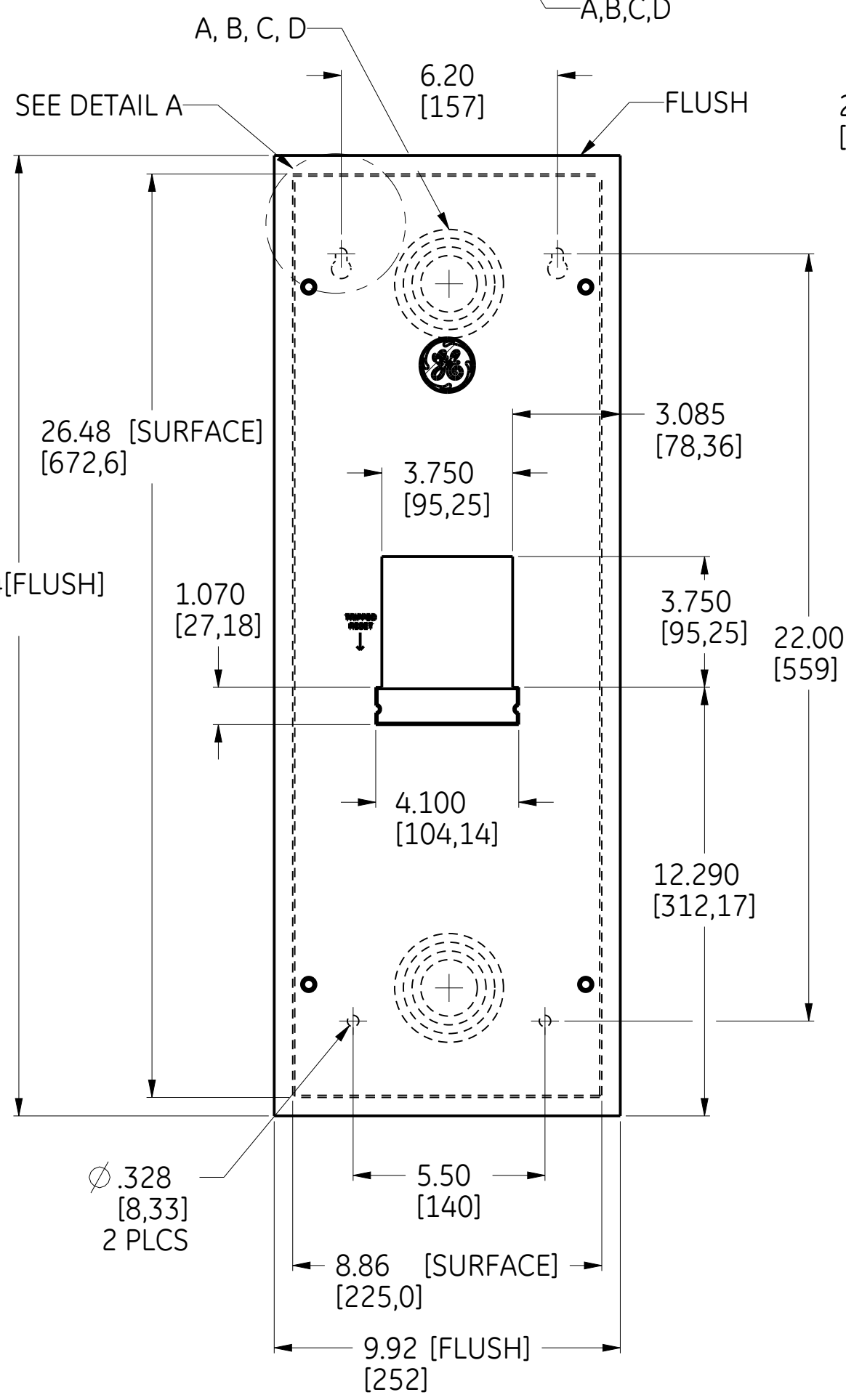
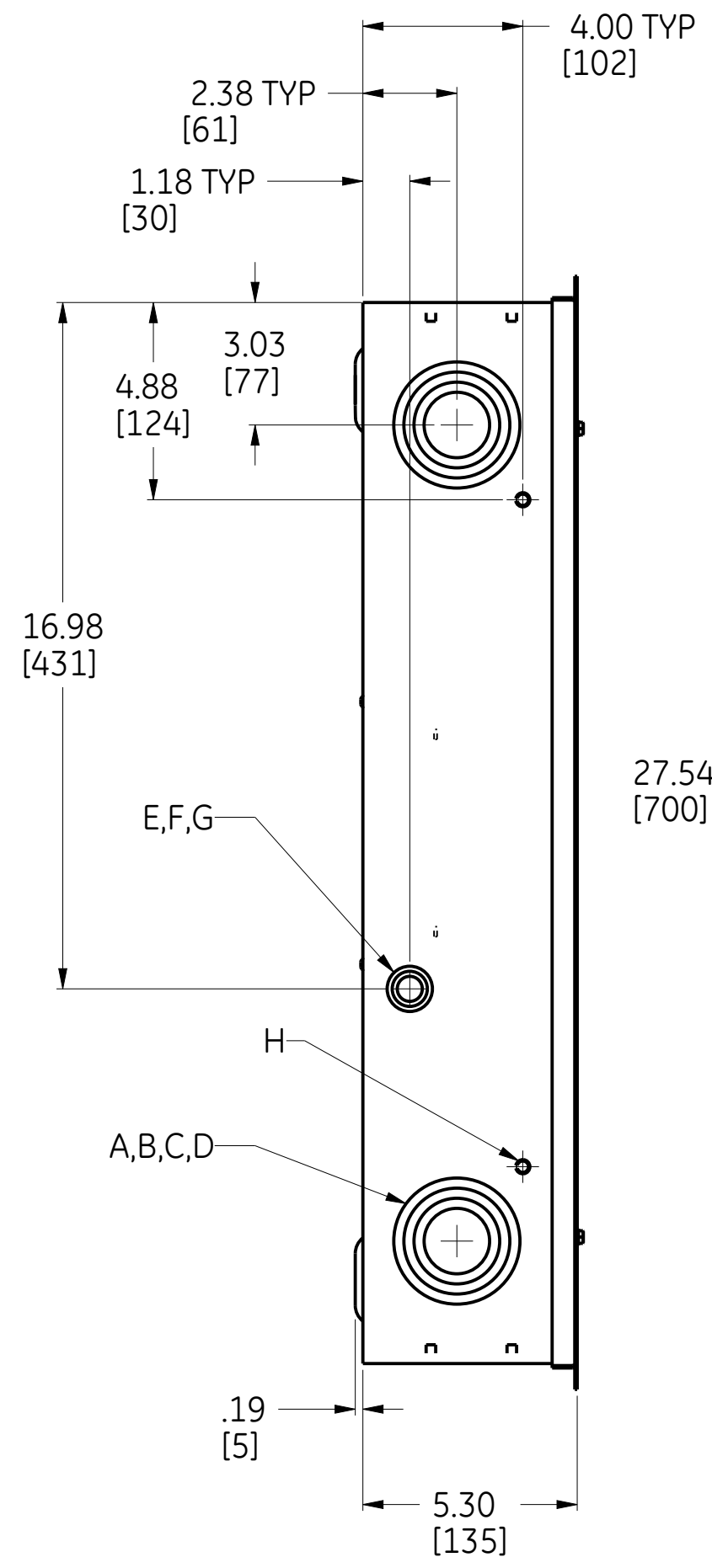
CIRCUIT BREAKER TERMINAL LUG DATA			
CIRCUIT BREAKER CAT NO. PREFIX	AMPERE RATING	LUG TYPE	WIRE SIZE (AWG/KCMIL)
PE_N, PE_H	8-250	FCAL15	(1) #14-3/0 CU/AL
		FCAL16	(1) #8-250 CU (1) #8-350 AL

FIELD INSTALLABLE NEUTRAL ASSEMBLY AND GROUND KIT			
CAT NO. PREFIX	TYPE	AMPERE RATING	WIRE SIZE (AWG/KCMIL)
TGL1	GND KIT	70-125 A	(4) #14-8 CU (4) #12-8 AL (3) #14-4 CU (3) #6-4 AL
TGL20	GND KIT	150-400A	(1) #6-2/0 CU-AL
TNIA225	NEUTRAL ASM	25-250A	(1) #1-300 CU-AL (1) #10-2/0 CU-AL
TNIA250EGF	NEUTRAL ASM	25-250A*	(1) #1-300 CU-AL (1) #10-2/0 CU-AL

* FOR 250A RATING, USE COPPER CABLE ONLY

KNOCKOUTS				
SYMBOLS	CONDUIT SIZE		DIAMETER	
	IN	MM	IN	MM
A	3	76	3 5/8	92
B	2 1/2	64	3	76
C	1 1/2	38	2	51
D	2	51	2 1/2	64
E	1	25	1 3/8	35
F	3/4	19	1 1/8	29
G	1/2	13	7/8	22
H	9/32	7	9/32	7

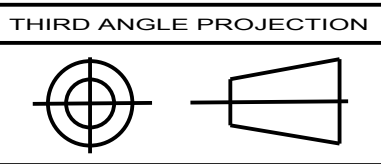
FOR USE WITH GE TYPE BREAKER PE_N, PE_H (8-250A)



- NOTES:
1. MATERIAL: LOW CARBON STEEL
 2. FINISH: ELECTROCOAT ENAMEL, GRAY
 3. AGENCY APPROVAL: UL/cUL LISTED - FILE E11592
 4. SUITABLE FOR USE AS SERVICE EQUIPMENT WHEN NEUTRAL ASSEMBLY IS INSTALLED
 5. THE SHORT CIRCUIT RATING OF THIS ENCLOSED CIRCUIT BREAKER IS EQUAL TO THE INTERRUPTING RATING, AT THE SUPPLY VOLTAGE MARKED ON THE CIRCUIT BREAKER INSTALLED
 6. CONSULT BUYLOG FOR ALTERNATIVE LUGS

DUAL DIMENSIONS INCHES [MILLIMETERS]

Part must conform to SI 900000 Sect. 4, Toxicity Procedure



FOR ADDITIONAL INFO REFER TO:		SIGNATURES	DATE
APPLIED PRACTICES	MODEL	NAIDU	04/11/17
DIMENSIONS ARE IN INCHES	DETAIL	NAIDU	04/11/17
UNLESS OTHERWISE SPECIFIED IN DRAWING	CHECKED	SCF	04/11/17
	ENGRG	SCF	04/11/17
	MFG		
TOLERANCE ON:	QUALITY		
1 PL DECIMALS ± 0.0	ISSUED		
2 PL DECIMALS ± 0.02			
3 PL DECIMALS ± 0.005			
ANGLES ± 1.0			
FRACTIONS ±			
FINISH	DRAWING FILE:	139C5497SH11	
CRITICAL TO QUALITY CHARACTERISTIC	SOLID MODEL:	139C5497SH11	

GE Energy

TITLE: **OUTLINE DRAWING - NEMA TYPE 1 ENCLOSURE PE250F, PE250S**

SIZE	DRAWING	REV
C	139C5497	1

SCALE: 0.500 REF. No: SHEET 1 OF 1