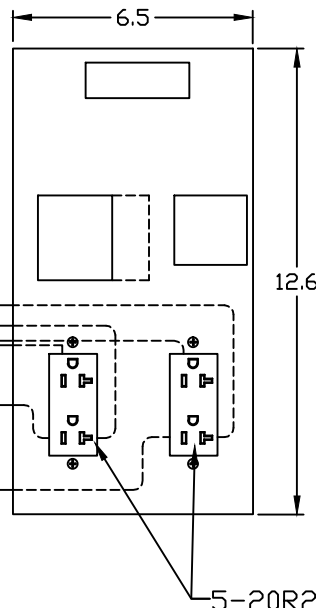
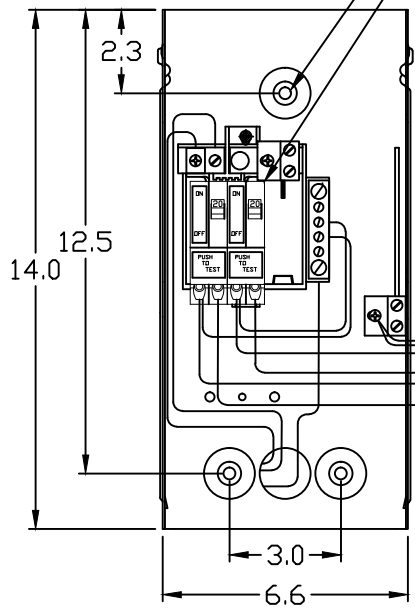
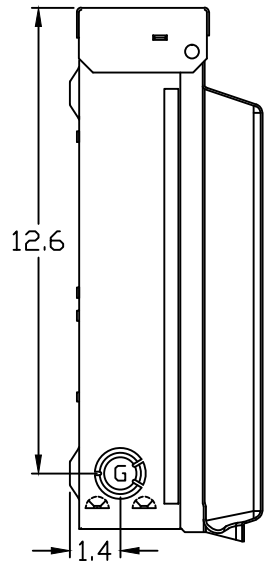
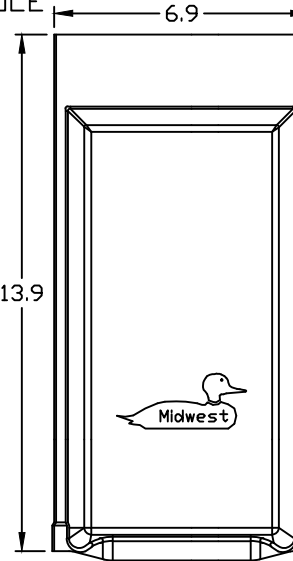


5/16" MOUNTING HOLE (3X)
 3 CIRCUIT 70 AMP LOAD CENTER
 20 AMP. GFI BREAKER 1-POLE
 20 AMP. GFI BREAKER 1-POLE

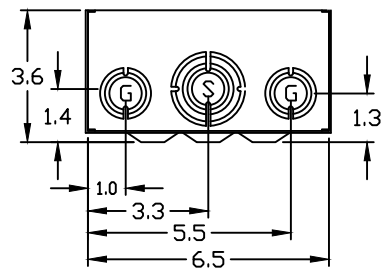


5-20R2
 20 AMP.
 DUPLEX
 (2X)



WIRE RANGE TABLE :

CONNECTOR	COPPER		ALUMINUM	
	SOLID	STRAND	SOLID	STRAND
LINE	14-8	14-2	12-8	12-2
LOAD	14-10	14-10	---	---
NEUTRAL	END HOLE	14-8	14-2	12-8
NEUTRAL	SIDE HOLE	14-8	14-4	12-8
POST LINE CONNECTORS SUITABLE FOR LOOP FEED		#6-350 KCMIL	#6-350 KCMIL	
EQUIP. GRND. POST		14-2/0	14-2/0	14-2/0



KNOCKOUT TABLE:

S= 1/2", 3/4", 1", 1-1/4", 1-1/2" KO
G= 1/2", 3/4", 1" KO

SH42

Rev. 1 C009834 BM 01-12-16

AutoCad Generated

Dr. By: BM CN: C009834
 Ck. By: Date: 01-12-16

MIDWEST ELECTRIC
 PRODUCTS
 Plainville, CT



Unless Otherwise Specified
 Tolerances On:
 3 Pl. Decimals ± .010
 2 Pl. Decimals ± .030
 Fractions ± 1/32
 Angles ± 1/2°
 Holes ± .003
 Dimensions Are In Inches

* = Critical To Quality

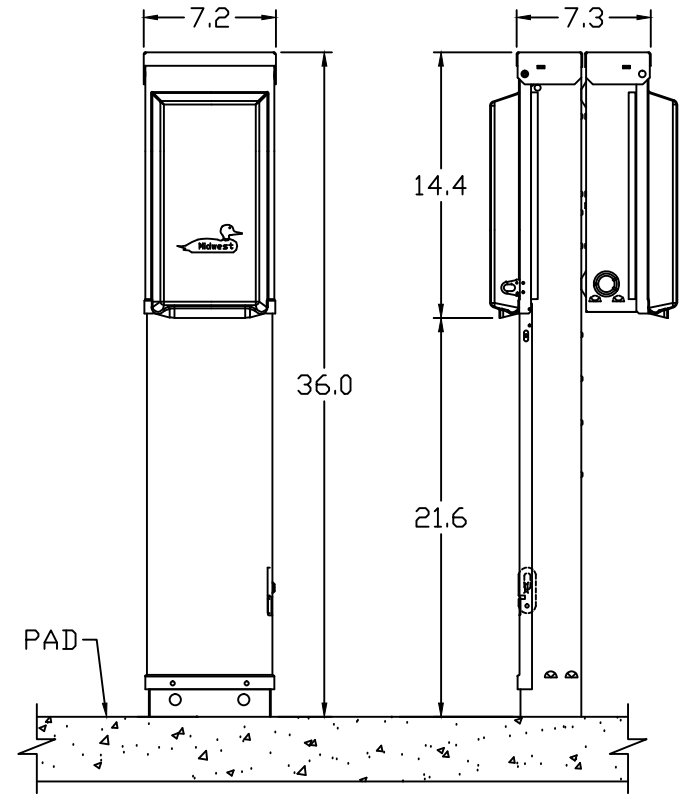
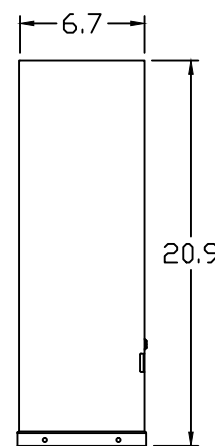
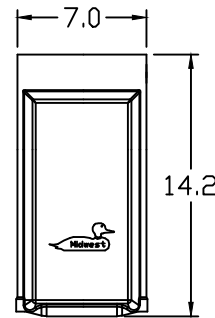
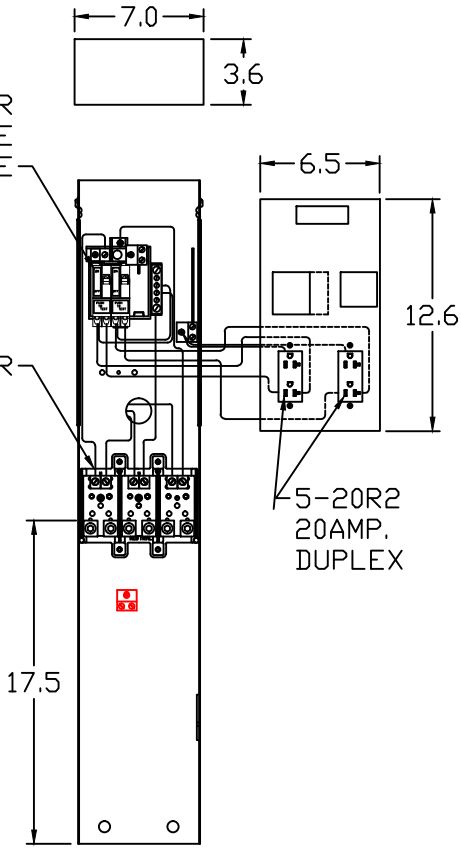
SCALE	SIZE
1 : 1	B
SHEET 1	OF 2

TITLE: U011GB4
 HEAD OUTLINE

DWG NO: 198B8603

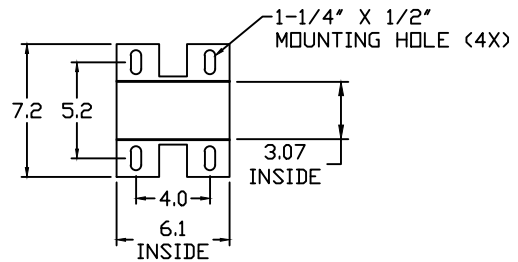
70AMP. 3 CIRCUIT LOAD CENTER
 20AMP. GFI BREAKER 1-POLE
 20AMP. GFI BREAKER 1-POLE

LOOP FEED LUG TERMINAL BAR



WIRE RANGE TABLE :

CONNECTOR	COPPER		ALUMINUM		
	SOLID	STRAND	SOLID	STRAND	
LINE	14-8	14-2	12-8	12-2	
LOAD	14-10	14-10	---	---	
NEUTRAL	END HOLE	14-8	14-2	12-8	12-2
NEUTRAL	SIDE HOLE	14-8	14-4	12-8	12-4
POST LINE CONNECTORS SUITABLE FOR LOOP FEED	#6-350 KCMIL		#6-350 KCMIL		
EQUIP. GRND. POST	14-2/0	14-2/0	14-2/0	14-2/0	



NOTES: PAD MOUNTED POST

SH42

Rev. 1 CN C009834 BM 01-12-16

AutoCad Generated
 Dr. By: BM CN: C009834
 Ck. By: Date: 01-12-16

MIDWEST ELECTRIC PRODUCTS
 Plainville, CT

Unless Otherwise Specified
 Tolerances On:
 3 Pl. Decimals ± .010
 2 Pl. Decimals ± .030
 Fractions ± 1/32
 Angles ± 1/2°
 Holes ± .003
 Dimensions Are In Inches

* = Critical To Quality

SCALE	SIZE
1 : 1	B
SHEET 2	OF 2

TITLE: U011GB4
 PEDESTAL- BACK TO BACK OUTLINE
 DWG NO: 198B8603