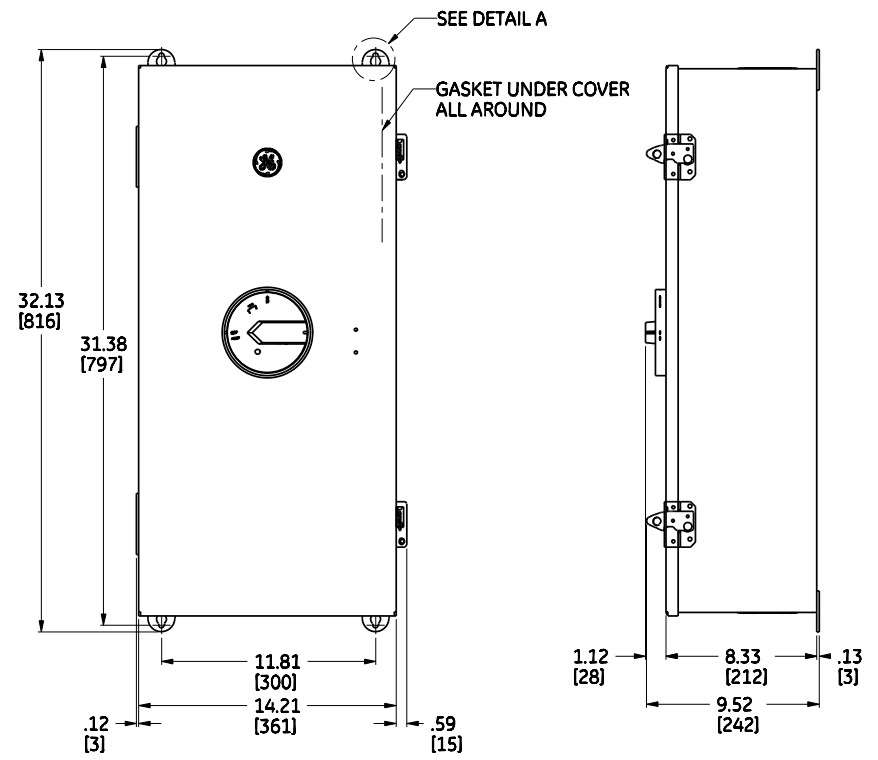


CIRCUIT BREAKER TERMINAL LUG DATA			
CIRCUIT BREAKER CAT NO. PREFIX	AMPERE RATING	LUG TYPE	WIRE SIZE (AWG/KCMIL)
SGH,SGL,SGP	400A	TCLK365	(2) #2/0-500 CU-AL (1) #8-600 CU-AL
		TCOK365	(2) #2/0-500 CU (1) #8-600 CU

FIELD INSTALLABLE NEUTRAL ASSEMBLY AND GROUND KIT			
CAT NO. PREFIX	TYPE	AMPERE RATING	WIRE SIZE (AWG/KCMIL)
TGL20	GND KIT	150-400A	(1) #6-2/0 CU-AL
TGL1	GND KIT	70-125A	(4) #14-8 CU (4) #12-8 AL (3) #14-4 CU (3) #6-4 AL
TNIA400	NEUTRAL ASM	125-400A	(2) #1/0-250 CU-AL (1) #4-600 CU-AL
TNIA600	NEUTRAL ASM	225-600A	(2) #2/0-500 CU-AL




MYERS TYPE CONDUIT HUBS	
CAT NO	NOMINAL CONDUIT DIAMETER IN INCHES
343L647G7	1 1/2
343L647G8	2
343L647G9	2 1/2
343L647G10	3
343L647G11	3 1/2

SYMBOLS	CONDUIT SIZE		DIAMETER	
	IN	MM	IN	MM
A	3 1/2	89	4 1/8	105
B	3	76	3 1/2	89
C	2 1/2	64	3	76
D	2	51	2 1/2	64
E	1 1/2	38	2	51
F	1/2	13	7/8	22
G	9/32	7	9/32	7

- NOTES:
1. MATERIAL: LOW CARBON STEEL
 2. FINISH: ELECTROCOAT ENAMEL, GRAY
 3. AGENCY APPROVAL: UL LISTED -FILE E11592,CSA
 4. SUITABLE FOR USE AS SERVICE EQUIPMENT WHEN NEUTRAL ASSEMBLY IS INSTALLED
 5. THE SHORT CIRCUIT RATING OF THIS ENCLOSED CIRCUIT BREAKER IS EQUAL TO THE INTERRUPTING RATING, AT THE SUPPLY VOLTAGE MARKED ON THE CIRCUIT BREAKER INSTALLED
 6. CONSULT BUYLOG FOR ALTERNATIVE LUGS
 7. HUB MTG. HOLES TO BE PROVIDED BY CUSTOMER

DUAL DIMENSIONS, INCHES (MILLIMETERS)

FOR USE WITH GE TYPE BREAKERS SGH, SGL & SGP

 **imagination at work**

OUTLINE DRAWING - NEMA TYPE 12/12K ENCLOSURE SG400D

DWG NO.	DATE	REV
208C2885SH1	08/20/2009	02