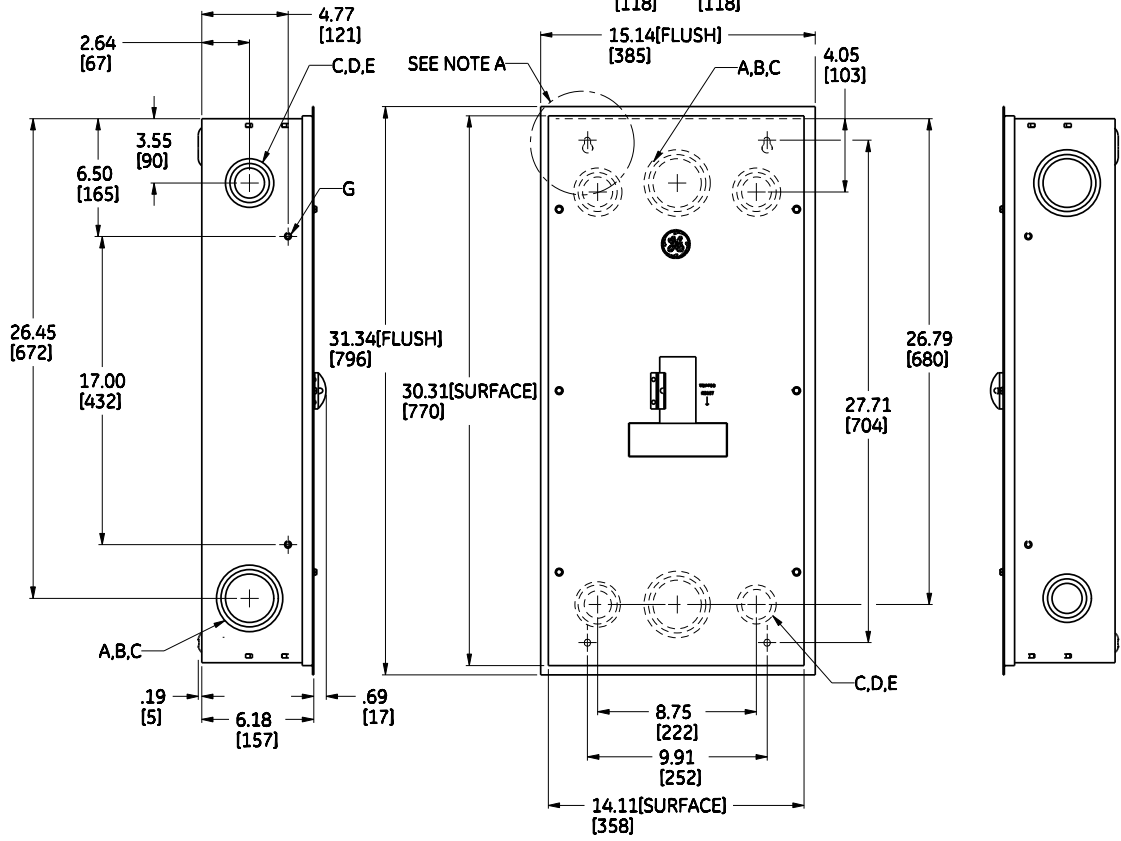


CIRCUIT BREAKER TERMINAL LUG DATA			
CIRCUIT BREAKER CAT NO. PREFIX	AMPERE RATING	LUG TYPE	WIRE SIZE (AWG/KCMIL)
SGH, SGL, SGP	400A	TCLK365	(2) #2/0-500 CU-AL (1) #8-600 CU-AL
		TCOK365	(2) #2/0-500 CU (1) #8-600 CU




FIELD INSTALLABLE NEUTRAL ASSEMBLY AND GROUND KIT			
CAT NO. PREFIX	TYPE	AMPERE RATING	WIRE SIZE (AWG/KCMIL)
TGL20	GND KIT	150-400A	(1) #6-2/0 CU-AL
TGL1	GND KIT	75-125A	(4) #14-8 CU (4) #12-8 AL (3) #14-4 CU (3) #6-4 AL
TNIA 400	NEUTRAL ASM	125-400A	(1) #4-600 CU-AL (2) #1/0-250 CU-AL
TNIA 600	NEUTRAL ASM	225-600A	(2) #2/0-500 CU-AL

SYMBOLS	KNOCKOUTS			
	CONDUIT SIZE		DIAMETER	
	IN	MM	IN	MM
A	3 1/2	89	4 1/8	105
B	3	76	3 5/8	93
C	2 1/2	64	3	76
D	2	51	2 1/2	64
E	1 1/2	38	2	51
F	1/2	12	7/8	22
G	9/32	7	9/32	7

- NOTES:
1. MATERIAL: LOW CARBON STEEL
 2. FINISH: ELECTROCOAT ENAMEL, GRAY
 3. AGENCY APPROVAL: UL LISTED -FILE E11592,CSA
 4. SUITABLE FOR USE AS SERVICE EQUIPMENT WHEN NEUTRAL ASSEMBLY IS INSTALLED
 5. THE SHORT CIRCUIT RATING OF THIS ENCLOSED CIRCUIT BREAKER IS EQUAL TO THE INTERRUPTING RATING, AT THE SUPPLY VOLTAGE MARKED ON THE CIRCUIT BREAKER INSTALLED
 6. CONSULT BUYLOG FOR ALTERNATIVE LUGS

DUAL DIMENSIONS INCHES (MILLIMETERS) FOR USE WITH GE TYPE BREAKER SGH, SGL & SGP (125-400A MAX)

 **imagination at work**

OUTLINE DRAWING - NEMA TYPE 1 ENCLOSURE
SG400F, SG400S

DWG NO.	DATE	REV
208C2891SH1	06/19/09	03