

GE PROPRIETARY AND CONFIDENTIAL INFORMATION

This document is the property of General Electric Company ("GE") and contains proprietary information of GE. This document is loaned on the express condition that neither it nor the information contained therein shall be disclosed to others without the express written consent of GE Energy, and that the information shall be used by the recipient only as approved expressly by GE Energy. This document shall be returned to GE upon its request. This document may be subject to certain restrictions under U.S. export control laws and regulations.

REVISIONS			
REV.	DESCRIPTION	DATE	APPROVED
1	C026395	04/11/17	SCF

D

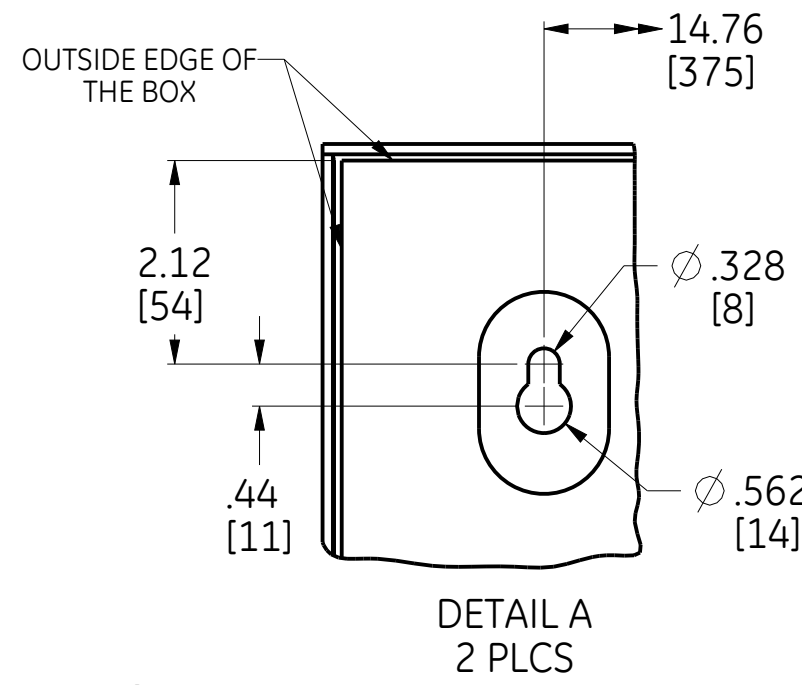
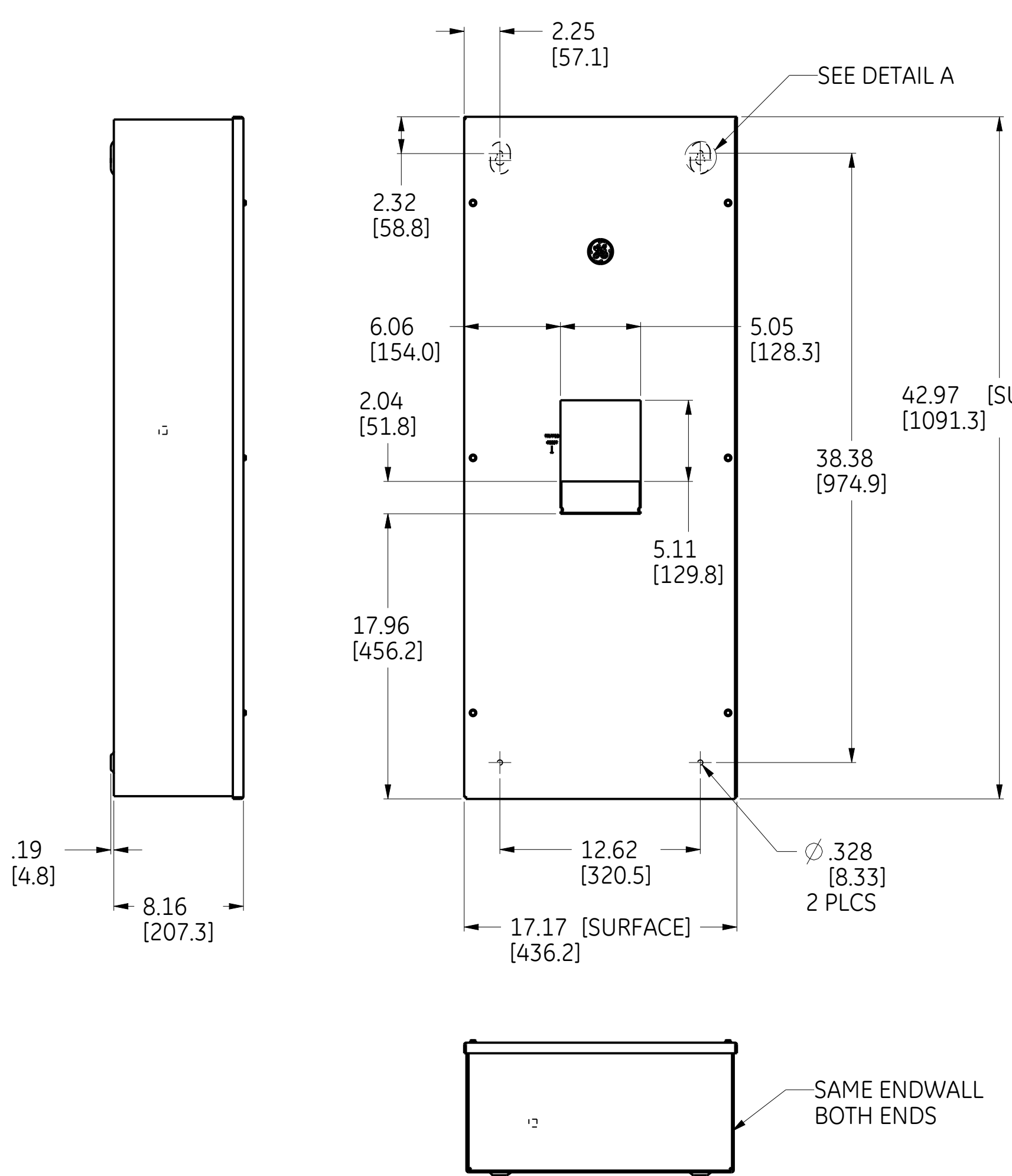
D

C

C

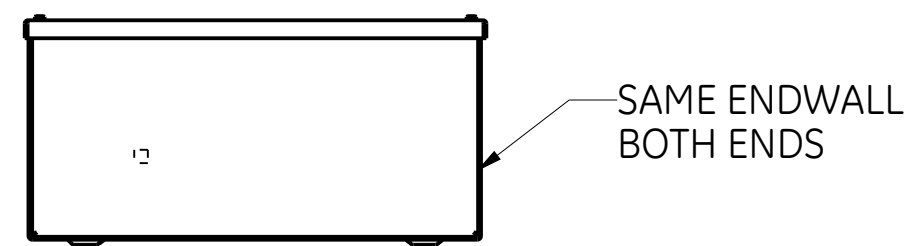
B

A



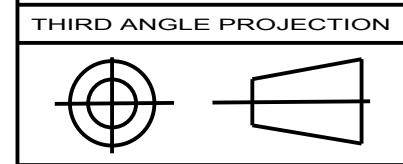
CIRCUIT BREAKER TERMINAL LUG DATA			
CIRCUIT BREAKER CAT NO. PREFIX	AMPERE RATING	LUG TYPE	WIRE SIZE (AWG/KCMIL)
P_GN, P_GH, P_GL & P_GP	250-600A	FCALK218H	(1)#8-400 CU (1)#6-500 AL
			(1)#2/0-600 CU/AL
		FCALK318H	(1)#8-400 CU (1)#6-500 AL
			(1)#2/0-600 CU/AL

FIELD INSTALLABLE NEUTRAL ASSEMBLY AND GROUND KIT			
CAT NO. PREFIX	TYPE	AMPERE RATING	WIRE SIZE (AWG/KCMIL)
TGL6	GND KIT	600-1200A	(3) #2-250 CU-AL
TNIA 400	NEUTRAL ASM	100-400A	(1) #4-600 CU-AL (2) #1/0-250 CU-AL
TNIA 600	NEUTRAL ASM	500-600A	(2) #2/0-500 CU-AL
TNIA400GGF	NEUTRAL ASM	100-400A	(1) #4-600 CU-AL (2) #1/0-250 CU-AL
TNIA600GGF	NEUTRAL ASM	500-600A	(2) #2/0-500 CU-AL



FOR USE WITH GUARDEON CIRCUIT BREAKERS

- NOTES:
1. MATERIAL: LOW CARBON STEEL
 2. FINISH: ELECTROCOAT ENAMEL, GRAY
 3. AGENCY APPROVAL: UL/cUL LISTED - FILE E11592
 4. SUITABLE FOR USE AS SERVICE EQUIPMENT WHEN NEUTRAL ASSEMBLY IS INSTALLED
 5. THE SHORT CIRCUIT RATING OF THIS ENCLOSED CIRCUIT BREAKER IS EQUAL TO THE INTERRUPTING RATING, AT THE SUPPLY VOLTAGE MARKED ON THE CIRCUIT BREAKER INSTALLED
 6. CONSULT BUYLOG FOR ALTERNATIVE LUGS



DUAL DIMENSIONS INCHES [MILLIMETERS]

Part must conform to SI 900000 Sect. 4, Toxicity Procedure

FOR ADDITIONAL INFO REFER TO:	SIGNATURES	DATE
APPLIED PRACTICES	MODEL NAIDU	04/11/17
DIMENSIONS ARE IN INCHES	DETAIL NAIDU	04/11/17
UNLESS OTHERWISE SPECIFIED IN DRAWING	CHECKED SCF	04/11/17
	ENGRG SCF	04/11/17
	MFG	
TOLERANCE ON:	QUALITY	
1 PL DECIMALS ± 0.0	ISSUED	
2 PL DECIMALS ± 0.02		
3 PL DECIMALS ± 0.005		
ANGLES ± 1.0		
FRACTIONS ±		
FINISH		
CRITICAL TO QUALITY CHARACTERISTIC	DRAWING FILE: 208C2891SH10	
	SOLID MODEL: 208C2891SH10	

GE Energy

TITLE: **OUTLINE DRAWING - NEMA TYPE 1 ENCLOSURE FG600SB**

SIZE	DRAWING	REV
C	208C2891	1

SCALE: 0.080 REF. No. SHEET 1 OF 1